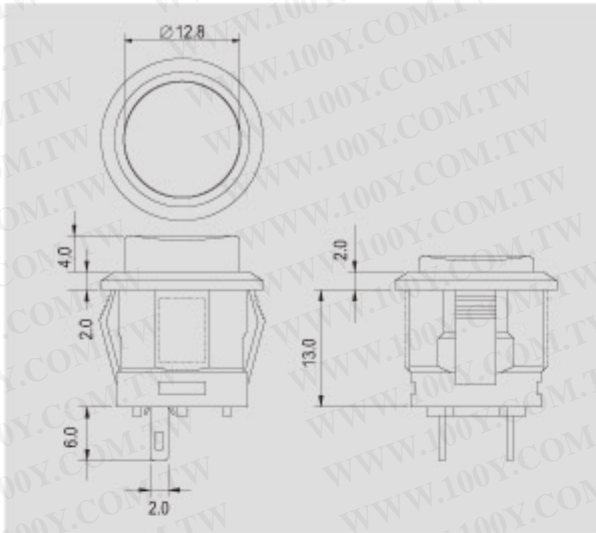


R13-523



Rating	3A 125V AC 1.5A 250V AC
Contact resistance	50mΩ Max
Insulation resistance	DC 500V 100MΩ Min
Dielectric strength	AC 1500V 1 minute
Cut-out	 0.75~3.0 mm

FEATURES

- * MATERIAL: Frames are nylon (UL flame: 94V-2). Terminals are silver plated brass.
- * Illuminated actuators are molded in PC, available with red, amber, and green colors.

R13-523

FUNCTION	BUTTON	TERMINAL
A OFF (ON)	<input checked="" type="checkbox"/> W/O LED <input type="checkbox"/> With LED	0 5 SO
B OFF (ON)		

勝特力材料 886-3-5753170
 勝特力电子(上海) 86-21-54151736
 勝特力电子(深圳) 86-755-83298787
[Http://www.100y.com.tw](http://www.100y.com.tw)