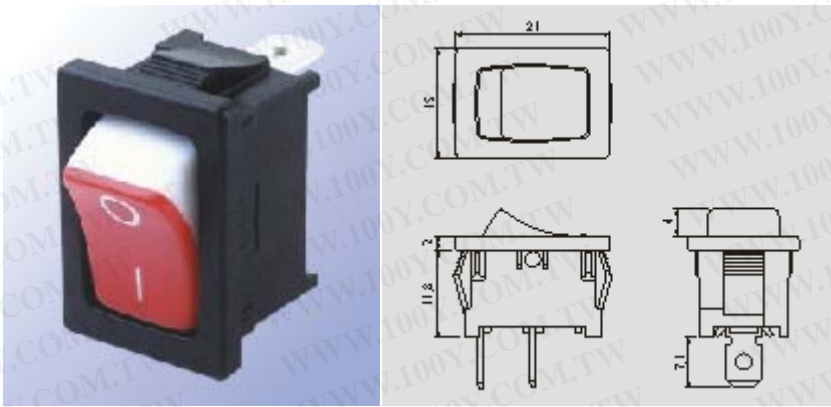


R13-66



FEATURES

- MATERIAL: Frames are nylon (UL flame: 94V-2). Terminals are silver plated brass.
- Illuminated actuators are molded in PC, available with red, amber, and green colors.
- Snap-in mounting, easy to install switch into panel.
- Waterproof cover is optional.
- Dust resistant.

Contact resistance
50mΩ Max
Insulation resistance
DC 500V
100MΩ Min
Dielectric strength
AC 1500V 1 minute
Cut-out

	X	Y
.2-0.	7.2-0.	.2-0.
	X	Y
0.75~1.25	19.2-0.1	13.0+0.1
1.25~2	19.4-0.1	13.0+0.1
2~3	19.8-0.1	13.0+0.1

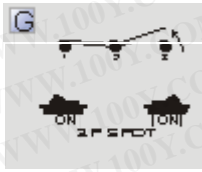
勝特力材料 886-3-5753170
 胜特力电子(上海) 86-21-54151736
 胜特力电子(深圳) 86-755-83298787
[Http://www.100y.com.tw](http://www.100y.com.tw)



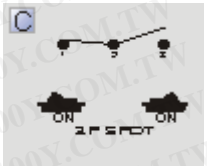
Waterproof toggle

R13-66

FUNCTION	RATING	TERMINAL
 	<input checked="" type="checkbox"/> 10A 125V AC 6A 250V AC	<input type="checkbox"/> 0 2 .187" Quick connect <input type="checkbox"/> 0 5 Solder <input type="checkbox"/> 0 9 PC mounting <input type="checkbox"/> 1 0 PC mounting (Angle) * () =momentary
 	<input type="checkbox"/> 16A 125V AC 10A 250V AC	



S
 6A 125V
 AC
 3A 250V
 AC



勝特力材料 886-3-5753170
 勝特力电子(上海) 86-21-54151736
 勝特力电子(深圳) 86-755-83298787
[Http://www.100y.com.tw](http://www.100y.com.tw)