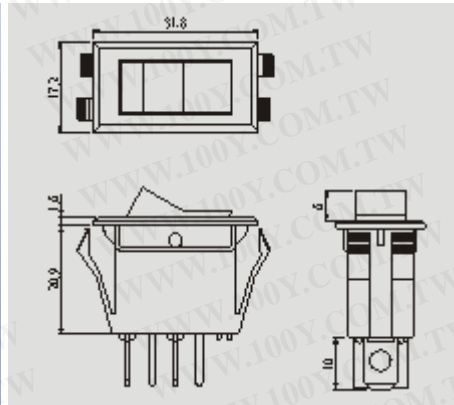


R13-72

E67774 LR45128



Rating

15A 125V AC 1/8HP
125VAC
10A 250V AC 1/3HP
250VAC

Contact resistance

50mΩ Max

Insulation resistance

DC 500V 100MΩ Min

Dielectric strength

AC 1500V 1 minute

Cut-out

X

Y

.2-0. 7.2-0. .2-0.



X

Y

0.75~1.25 28.6-0.1 14.0+0.1

1.25~2 28.8-0.1 14.0+0.1

2~3 29.2-0.1 14.0+0.1

FEATURES

- MATERIAL: Frames are nylon (UL flame: 94V-2). Terminals are silver plated brass.
- Illuminated actuators are molded in PC, available with red, amber, and green colors.
- Snap-in mounting, easy to install switch into panel.

R13-72

FUNCTION

TERMINAL



0 1 .250" Quick connect



勝特力材料 886-3-5753170
 勝特力电子(上海) 86-21-54151736
 勝特力电子(深圳) 86-755-83298787
[Http://www.100y.com.tw](http://www.100y.com.tw)