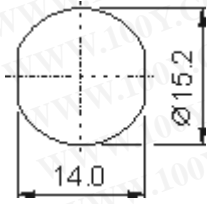
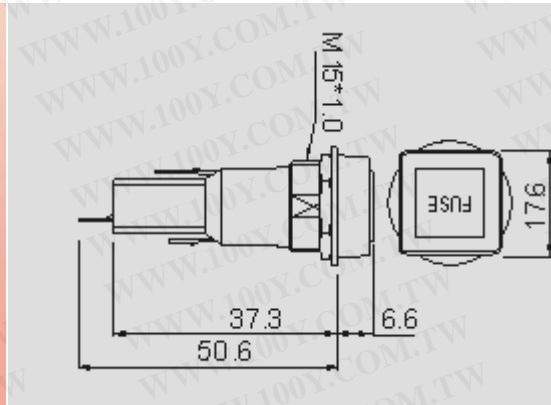


R3-21A



10A 250V AC


0.5 ~ 4.5mm

(3.8mm)0.148" SO

(4.0mm)0.156" SQ

FEATURES:

- Material:
Frame : phenolic(UL flame: 94V-1).
Cap: nylon(UL flame: 94V-2).
Terminal : nickel plated brass.
- Mounted by nut.

R3-21A 

CAP

Bayonet type

FUSE 

∅ 6.4*30mm

勝特力材料 886-3-5753170
勝特力电子(上海) 86-21-54151736
勝特力电子(深圳) 86-755-83298787
[Http://www.100y.com.tw](http://www.100y.com.tw)