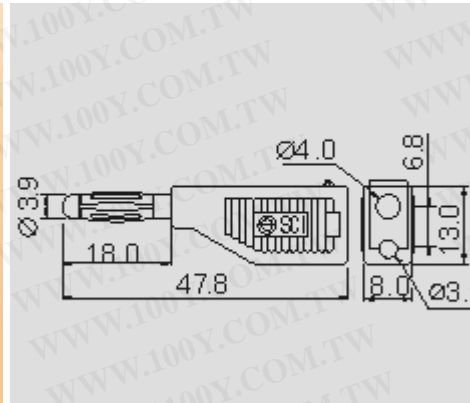


R8-B19



Red, Black,
(Blue, Yellow, Green)
10A

DC500V 100M Ω
AC 1000V 1 minute
-20°C ~ +80°C

FEATURES:

- Material:
Plug: nickel plated heat treated beryllium copper.
Handle: PVC.
- Fits O.D. less 3mm wire by soldering or 4.0mm banana plug.
- Fits 4mm standard banana socket.

勝特力材料 886-3-5753170
勝特力电子(上海) 86-21-54151736
勝特力电子(深圳) 86-755-83298787
[Http://www.100y.com.tw](http://www.100y.com.tw)