

Main Features:

- UL, CUR & TUV safety approval.
- Heavy current up to 15 amps available, and special 20amps for using on the car.
- Epoxy seal type and flux free.
- Satisfying all requirements for use in car and household electric appliances.

COIL RATING (at 20°C)

NOMINAL VOLTAGE (VDC)	COIL RESISTANCE (Ω) (+/- 10%)	POWER CONSUMPTION (W)	NOMINAL CURRENT (mA) (+/- 10%)	PULL IN VOLTAGE (VDC)	DROP OUT VOLTAGE (VDC)	MAX. ALLOWABLE VOLTAGE (VDC)
3V	25 Ω	0.36W	120 mA	75 % MAX.	10 % MIN.	130 %
5V	69 Ω		72 mA			
6V	100 Ω		60 mA			
9V	225 Ω		40 mA			
12V	400 Ω		30 mA			
18V	900 Ω		20 mA			

勝特力材料 886-3-5753170
 勝特力电子(上海) 86-21-54151736
 勝特力电子(深圳) 86-755-83298787
[Http://www.100y.com.tw](http://www.100y.com.tw)

24V	1600 Ω		15 mA			
36V	3600 Ω		10 mA			
48V	4500 Ω	0.51W	10.6 mA			
12V (M type)	225 Ω	0.64W	53.3 mA	65 %	8 %	110 %

PERFORMANCE (at initial value)

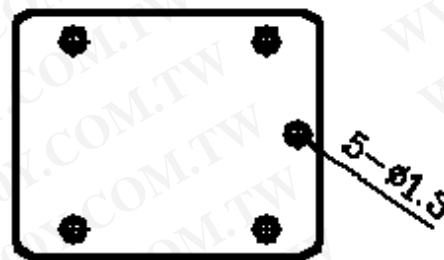
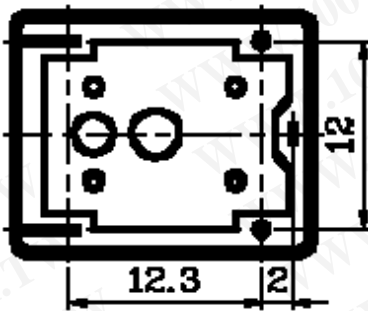
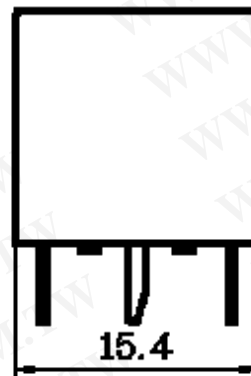
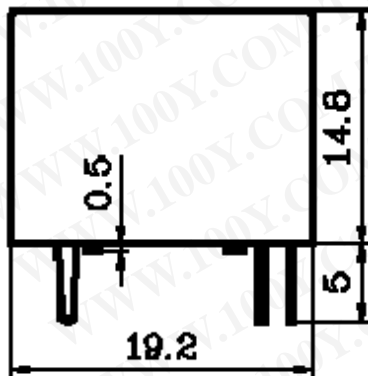
Item	Type	10A	15A	20A
Contact Resistance		50m Ω Max. (initial value)		
Operate Time		10msec Max.		
Release Time		5msec Max.		
Dielectric Strength	between coil & contact between contact	AC 1500V (1min) AC 750V (1min)		
Insrlation Resistance		100M Ω Min.(DC 500V)		
Operating Ambient Temperature		-30°C ~ +80°C		
Humidity		35% to 85% RH		
Vibration Resistance		10G (10~55Hz)(Dual amplitude : 1.5mm)		
Shock Resistance		10G		
Life Expectancy	Mechanically Electrically	10,000,000 ops. Min. (1800 ops./h) 100,000 ops. Min. (1200 ops./h)		
Weight		9.5g (about)		

CONTACT RATING

Item	Type	10A	15A	20A
Rated Carrying Current		AC 120V 10A AC 250V 7A DC 24V 10A	AC 120V 15A AC 250V 10A DC 24V 15A	DC 14V 20A DC 30V 15A AC 120V 15A

Max. Allowable Current	15A	20A	20A
Max. Allowable Voltage	AC 240V DC 110V		
Max. Current (continual)	10A	15A	20A
Contact Material	Ag alloy		

DIMENSIONS (Unit : mm)



PCB LAYOUT

勝特力材料 886-3-5753170
 勝特力电子(上海) 86-21-54151736
 勝特力电子(深圳) 86-755-83298787
[Http://www.100y.com.tw](http://www.100y.com.tw)