

RB151 THRU RB157

SINGLE PHASE SILICON BRIDGE RECTIFIERS

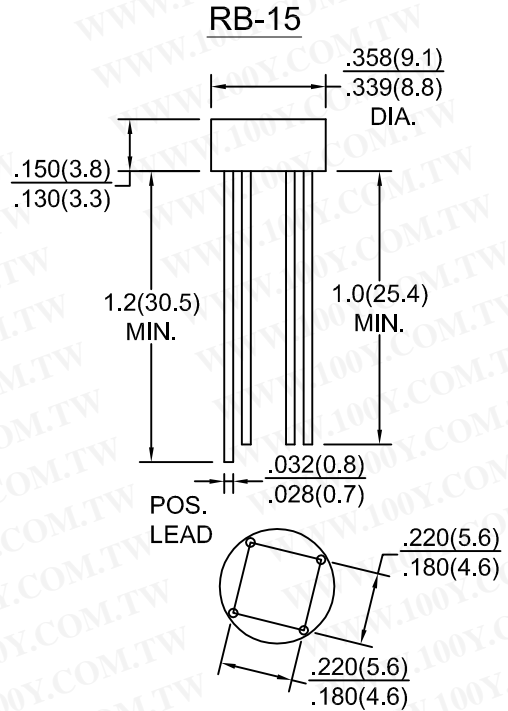
FEATURES:

- Ideal for printed circuit board
- Low forward voltage drop
- Low leakage current

勝特力材料 886-3-5753170
勝特力电子(上海) 86-21-54151736
勝特力电子(深圳) 86-755-83298787
[Http://www.100y.com.tw](http://www.100y.com.tw)

MECHANICAL DATA

Case : Molded plastic body
 Lead : Solderplated
 Polarity : As marked
 Weight : 1.07 grams



Dimension in inches and (millimeters)

MAXIMUM RATINGS AND ELECTRICAL CHARACTERISTICS

Rating at 25° C ambient temp. unless otherwise specified.

Single phase, half sine wave, 60 Hz, resistive or inductive load.

For capacitive load, derate current by 20 %.

Characteristic	Symbol	RB 151	RB 152	RB 153	RB 154	RB 155	RB 156	RB 157	Units
Maximum recurrent peak reverse voltage	V_{RRM}	50	100	200	400	600	800	1000	Volts
Maximum RMS voltage	V_{RMS}	35	70	140	280	420	560	700	Volts
Maximum DC blocking voltage	V_{DC}	50	100	200	400	600	800	1000	Volts
Maximum average forward rectified current .375"(9.5mm) lead length at Ta=50° C	I_O	1.5							Amps
Peak forward surge current ,8.3ms single half sine-wave superimposed on rated load(JEDEC Method)	I_{FSM}	50							Amps
Maximum instantaneous forward voltage drop per bridge element at 1.0 A	V_F	1.0							Volts
Maximum DC reverse current Ta=25° C at rated DC blocking voltage Ta=100° C	I_R	10 500							μA
Operating temperature range	T_j	-65 to +125							° C
Storage temperature range	T_{stg}	-65 to +150							° C

RATINGS AND CHARACTERISTIC CURVES RB151 THRU RB157

FIG.1-TYPICAL FORWARD CURRENT DERATING CURVE

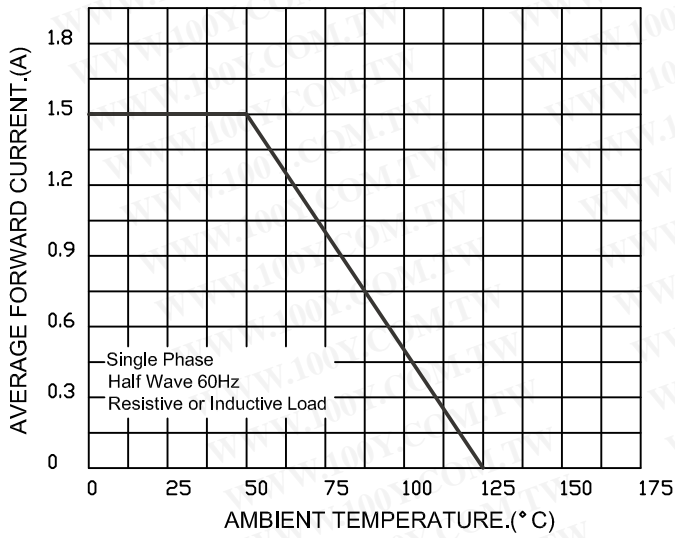


FIG.2-MAXIMUM NON-REPETITIVE FORWARD SURGE CURRENT

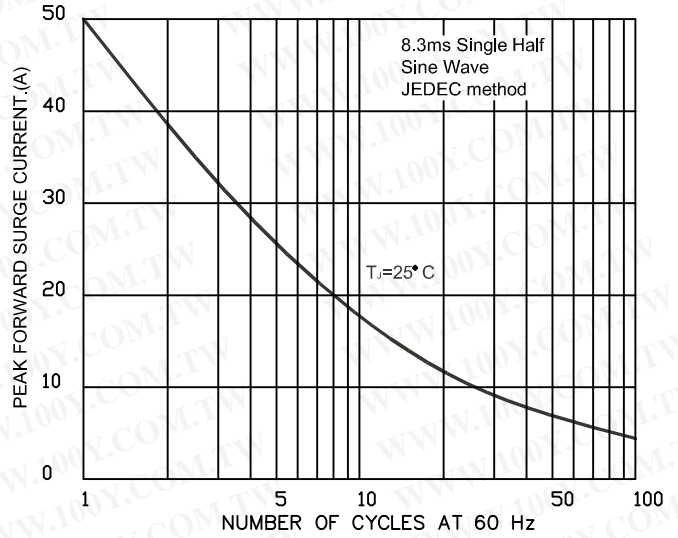


FIG.3-TYPICAL FORWARD CHARACTERISTICS

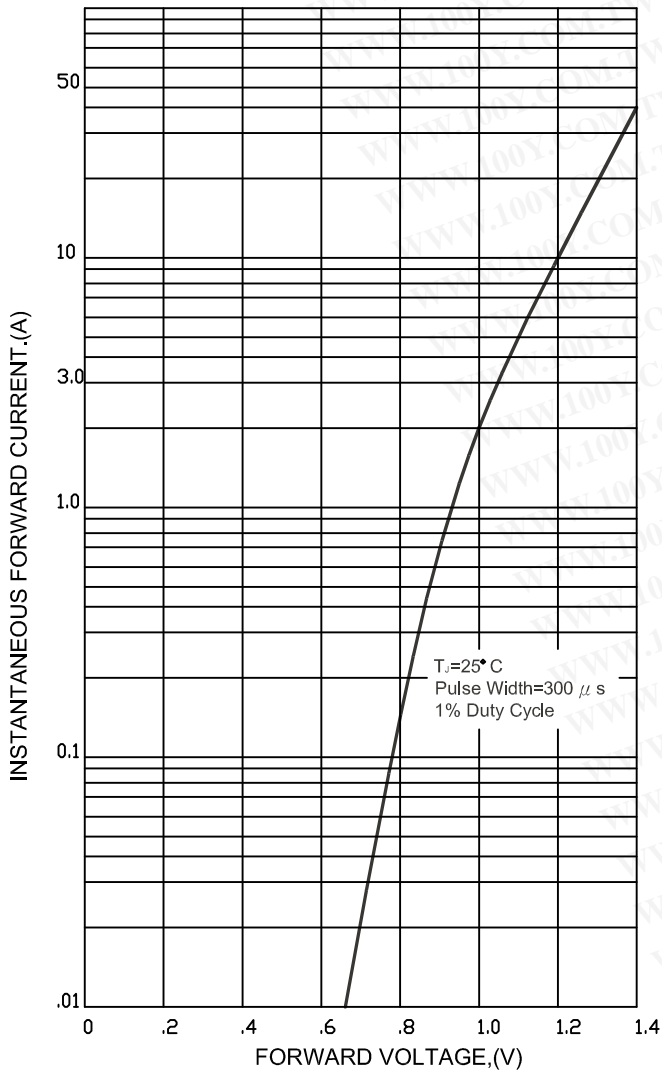
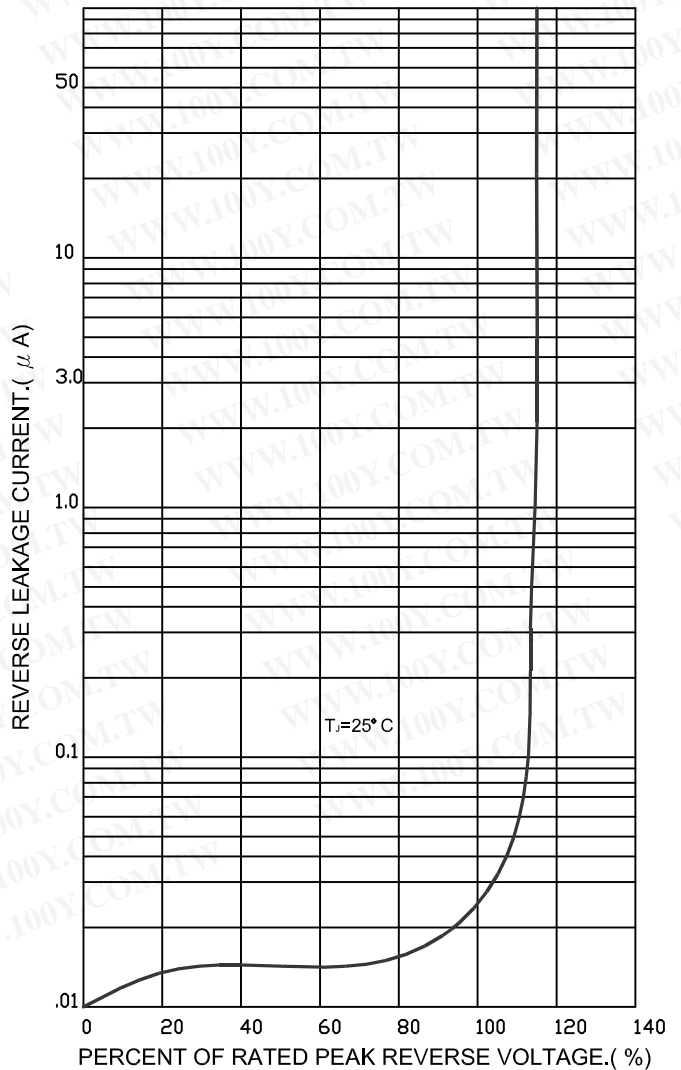


FIG.4-TYPICAL REVERSE CHARACTERISTICS



勝特力材料 886-3-5753170
 勝特力电子(上海) 86-21-54151736
 勝特力电子(深圳) 86-755-83298787
[Http://www.100y.com.tw](http://www.100y.com.tw)