



Precision Micropower, Low Dropout, Voltage References

勝特力材料 886-3-5753170
 勝特力电子(上海) 86-21-54151736
 勝特力电子(深圳) 86-755-83298787
[Http://www.100y.com.tw](http://www.100y.com.tw)

REF19x Series

FEATURES

Initial Accuracy: ± 2 mV max
 Temperature Coefficient: 5 ppm/ $^{\circ}$ C max
 Low Supply Current: 45 μ A max
 Sleep Mode: 15 μ A max
 Low Dropout Voltage
 Load Regulation: 4 ppm/mA
 Line Regulation: 4 ppm/V
 High Output Current: 30 mA
 Short Circuit Protection

APPLICATIONS

Portable Instrumentation
 A-to-D and D-to-A Converters
 Smart Sensors
 Solar Powered Applications
 Loop Current Powered Instrumentations

GENERAL DESCRIPTION

REF19x series precision bandgap voltage references use a patented temperature drift curvature correction circuit and laser trimming of highly stable thin film resistors to achieve a very low temperature coefficient and a high initial accuracy.

The REF19x series are micropower, Low Dropout Voltage (LDV) devices providing a stable output voltage from supplies as low as 100 mV above the output voltage and consuming less than 45 μ A of supply current. In sleep mode, which is enabled by applying a low TTL or CMOS level to the sleep pin, the output is turned off and supply current is further reduced to less than 15 μ A.

The REF19x series references are specified over the extended industrial temperature range (-40° C to $+85^{\circ}$ C) with typical performance specifications over -40° C to $+125^{\circ}$ C for applications such as automotive.

All electrical grades are available in 8-Lead SOIC; the PDIP and TSSOP are only available in the lowest electrical grade. Products are also available in die form.

Test Pins (TP)

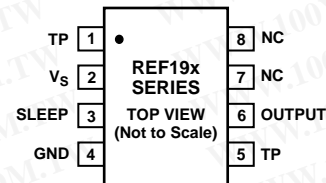
The test pins, Pin 1 and Pin 5, are reserved for in-package zener-zap. To achieve the highest level of accuracy at the output, the zener-zapping technique is used to trim the output voltage. Since each unit may require a different amount of adjustment, the resistance value at the test pins will vary widely from pin-to-pin as well as from part-to-part. The user should not make any physical nor electrical connections to Pin 1 and Pin 5.

REV. D

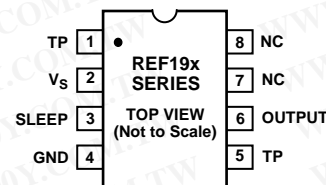
Information furnished by Analog Devices is believed to be accurate and reliable. However, no responsibility is assumed by Analog Devices for its use, nor for any infringements of patents or other rights of third parties which may result from its use. No license is granted by implication or otherwise under any patent or patent rights of Analog Devices.

PIN CONFIGURATIONS

8-Lead Narrow-Body SO and TSSOP (S Suffix and RU Suffix)



8-Lead Epoxy DIP (P Suffix)



NC = NO CONNECT
 TP PINS ARE FACTORY TEST POINTS
 NO USER CONNECTION

Table I

Part Number	Nominal Output Voltage (V)
REF191	2.048
REF192	2.50
REF193	3.00
REF194	4.50
REF195	5.00
REF196	3.30
REF198	4.096

ORDERING GUIDE

Model	Temperature Range	Package Description	Package Option ¹
REF19xGP	-40° C to $+85^{\circ}$ C	8-Lead Plastic DIP ²	N-8
REF19xES ³	-40° C to $+85^{\circ}$ C	8-Lead SOIC	SO-8
REF19xFS ³	-40° C to $+85^{\circ}$ C	8-Lead SOIC	SO-8
REF19xGS	-40° C to $+85^{\circ}$ C	8-Lead SOIC	SO-8
REF19xGRU	-40° C to $+85^{\circ}$ C	8-Lead TSSOP	RU-8
REF19xGBC	$+25^{\circ}$ C	DICE	

NOTES

¹N = Plastic DIP, SO = Small Outline, RU = Thin Shrink Small Outline.

²8-Lead plastic DIP only available in "G" grade.

³REF193 and REF196 are available in "G" grade only.

REF19x Series

REF191—SPECIFICATIONS

ELECTRICAL CHARACTERISTICS (@ $V_S = 3.3\text{ V}$, $T_A = +25^\circ\text{C}$ unless otherwise noted)

勝特力材料 886-3-5753170
 勝特力电子(上海) 86-21-54151736
 勝特力电子(深圳) 86-755-83298787
[Http://www.100y.com.tw](http://www.100y.com.tw)

Parameter	Symbol	Condition	Min	Typ	Max	Units
INITIAL ACCURACY ¹						
“E” Grade	V_O	$I_{OUT} = 0\text{ mA}$	2.046	2.048	2.050	V
“F” Grade			2.043		2.053	V
“G” Grade			2.038		2.058	V
LINE REGULATION ²						
“E” Grade	$\Delta V_O/\Delta V_{IN}$	$3.0\text{ V} \leq V_S \leq 15\text{ V}$, $I_{OUT} = 0\text{ mA}$	2		4	ppm/V
“F & G” Grades			4		8	ppm/V
LOAD REGULATION ²						
“E” Grade	$\Delta V_O/\Delta V_{LOAD}$	$V_S = 5.0\text{ V}$, $0 \leq I_{OUT} \leq 30\text{ mA}$	4		10	ppm/mA
“F & G” Grades			6		15	ppm/mA
DROPOUT VOLTAGE	$V_S - V_O$	$V_S = 3.15\text{ V}$, $I_{LOAD} = 2\text{ mA}$ $V_S = 3.3\text{ V}$, $I_{LOAD} = 10\text{ mA}$ $V_S = 3.6\text{ V}$, $I_{LOAD} = 30\text{ mA}$			0.95 1.25 1.55	V V V
LONG-TERM STABILITY ³	ΔV_O	1000 Hours @ $+125^\circ\text{C}$		1.2		mV
NOISE VOLTAGE	e_N	0.1 Hz to 10 Hz		20		$\mu\text{V p-p}$

NOTES

¹Initial accuracy includes temperature hysteresis effect.²Line and load regulation specifications include the effect of self-heating.³Long-term drift is guaranteed by 1000 hours life test performed on three independent wafer lots at $+125^\circ\text{C}$, with an LTPD of 1.3.

Specifications subject to change without notice.

ELECTRICAL CHARACTERISTICS (@ $V_S = 3.3\text{ V}$, $-40^\circ\text{C} \leq T_A \leq +85^\circ\text{C}$ unless otherwise noted)

Parameter	Symbol	Condition	Min	Typ	Max	Units
TEMPERATURE COEFFICIENT ^{1, 2}						
“E” Grade	$TCV_O/^\circ\text{C}$	$I_{OUT} = 0\text{ mA}$		2	5	ppm/ $^\circ\text{C}$
“F” Grade				5	10	ppm/ $^\circ\text{C}$
“G” Grade ³				10	25	ppm/ $^\circ\text{C}$
LINE REGULATION ⁴						
“E” Grade	$\Delta V_O/\Delta V_{IN}$	$3.0\text{ V} \leq V_S \leq 15\text{ V}$, $I_{OUT} = 0\text{ mA}$	5		10	ppm/V
“F & G” Grades			10		20	ppm/V
LOAD REGULATION ⁴						
“E” Grade	$\Delta V_O/\Delta V_{LOAD}$	$V_S = 5.0\text{ V}$, $0 \leq I_{OUT} \leq 25\text{ mA}$	5		15	ppm/mA
“F & G” Grades			10		20	ppm/mA
DROPOUT VOLTAGE	$V_S - V_O$	$V_S = 3.15\text{ V}$, $I_{LOAD} = 2\text{ mA}$ $V_S = 3.3\text{ V}$, $I_{LOAD} = 10\text{ mA}$ $V_S = 3.6\text{ V}$, $I_{LOAD} = 25\text{ mA}$			0.95 1.25 1.55	V V V
SLEEP PIN						
Logic High Input Voltage	V_H		2.4			V
Logic High Input Current	I_H				-8	μA
Logic Low Input Voltage	V_L				0.8	V
Logic Low Input Current	I_L				-8	μA
SUPPLY CURRENT						
Sleep Mode		No Load			45	μA
		No Load			15	μA

NOTES

¹For proper operation, a $1\text{ }\mu\text{F}$ capacitor is required between the output pin and the GND pin of the device.² TCV_O is defined as the ratio of output change with temperature variation to the specified temperature range expressed in ppm/ $^\circ\text{C}$.

$$TCV_O = (V_{max} - V_{min})/V_O (T_{MAX} - T_{MIN})$$

³Guaranteed by characterization.⁴Line and load regulation specifications include the effect of self-heating.

Specifications subject to change without notice.

REF191—SPECIFICATIONS

ELECTRICAL CHARACTERISTICS (@ $V_S = 3.3\text{ V}$, $-40^\circ\text{C} \leq T_A \leq +125^\circ\text{C}$ unless otherwise noted)

Parameter	Symbol	Condition	Min	Typ	Max	Units
TEMPERATURE COEFFICIENT ^{1, 2}						
“E” Grade	TCV _O /°C	I _{OUT} = 0 mA		2		ppm/°C
“F” Grade				5		ppm/°C
“G” Grade ³				10		ppm/°C
LINE REGULATION ⁴						
“E” Grade	ΔV _O /ΔV _{IN}	3.0 V ≤ V _S ≤ 15 V, I _{OUT} = 0 mA		10		ppm/V
“F & G” Grades				20		ppm/V
LOAD REGULATION ⁴						
“E” Grade	ΔV _O /ΔV _{LOAD}	V _S = 5.0 V, 0 ≤ I _{OUT} ≤ 20 mA		10		ppm/mA
“F & G” Grades				20		ppm/mA
DROPOUT VOLTAGE	V _S - V _O	V _S = 3.3 V, I _{LOAD} = 10 mA V _S = 3.6 V, I _{LOAD} = 20 mA			1.25 1.55	V V

NOTES

¹For proper operation, a 1 μF capacitor is required between the output pin and the GND pin of the device.

²TCV_O is defined as the ratio of output change with temperature variation to the specified temperature range expressed in ppm/°C.

$$TCV_O = (V_{max} - V_{min}) / V_O (T_{MAX} - T_{MIN})$$

³Guaranteed by characterization.

⁴Line and load regulation specifications include the effect of self-heating.

Specifications subject to change without notice.

REF19x Series

REF192—SPECIFICATIONS

ELECTRICAL CHARACTERISTICS (@ $V_S = 3.3\text{ V}$, $T_A = +25^\circ\text{C}$ unless otherwise noted)

勝特力材料 886-3-5753170
 勝特力电子(上海) 86-21-54151736
 勝特力电子(深圳) 86-755-83298787
[Http://www.100y.com.tw](http://www.100y.com.tw)

Parameter	Symbol	Condition	Min	Typ	Max	Units
INITIAL ACCURACY ¹						
“E” Grade	V_O	$I_{OUT} = 0\text{ mA}$	2.498	2.500	2.502	V
“F” Grade			2.495		2.505	V
“G” Grade			2.490		2.510	V
LINE REGULATION ²						
“E” Grade	$\Delta V_O/\Delta V_{IN}$	$3.0\text{ V} \leq V_S \leq 15\text{ V}$, $I_{OUT} = 0\text{ mA}$		2	4	ppm/V
“F & G” Grades				4	8	ppm/V
LOAD REGULATION ²						
“E” Grade	$\Delta V_O/\Delta V_{LOAD}$	$V_S = 5.0\text{ V}$, $0 \leq I_{OUT} \leq 30\text{ mA}$		4	10	ppm/mA
“F & G” Grades				6	15	ppm/mA
DROPOUT VOLTAGE	$V_S - V_O$	$V_S = 3.5\text{ V}$, $I_{LOAD} = 10\text{ mA}$			1.00	V
		$V_S = 3.9\text{ V}$, $I_{LOAD} = 30\text{ mA}$			1.40	V
LONG-TERM STABILITY ³	ΔV_O	1000 Hours @ $+125^\circ\text{C}$		1.2		mV
NOISE VOLTAGE	e_N	0.1 Hz to 10 Hz		25		$\mu\text{V p-p}$

NOTES

¹Initial accuracy includes temperature hysteresis effect.²Line and load regulation specifications include the effect of self-heating.³Long-term drift is guaranteed by 1000 hours life test performed on three independent wafer lots at $+125^\circ\text{C}$, with an LTPD of 1.3.

Specifications subject to change without notice.

ELECTRICAL CHARACTERISTICS (@ $V_S = 3.3\text{ V}$, $T_A = -40^\circ\text{C} \leq T_A \leq +85^\circ\text{C}$ unless otherwise noted)

Parameter	Symbol	Condition	Min	Typ	Max	Units
TEMPERATURE COEFFICIENT ^{1,2}						
“E” Grade	$TCV_O/^\circ\text{C}$	$I_{OUT} = 0\text{ mA}$		2	5	ppm/ $^\circ\text{C}$
“F” Grade				5	10	ppm/ $^\circ\text{C}$
“G” Grade ³				10	25	ppm/ $^\circ\text{C}$
LINE REGULATION ⁴						
“E” Grade	$\Delta V_O/\Delta V_{IN}$	$3.0\text{ V} \leq V_S \leq 15\text{ V}$, $I_{OUT} = 0\text{ mA}$		5	10	ppm/V
“F & G” Grades				10	20	ppm/V
LOAD REGULATION ⁴						
“E” Grade	$\Delta V_O/\Delta V_{LOAD}$	$V_S = 5.0\text{ V}$, $0 \leq I_{OUT} \leq 25\text{ mA}$		5	15	ppm/mA
“F & G” Grades				10	20	ppm/mA
DROPOUT VOLTAGE	$V_S - V_O$	$V_S = 3.5\text{ V}$, $I_{LOAD} = 10\text{ mA}$			1.00	V
		$V_S = 4.0\text{ V}$, $I_{LOAD} = 25\text{ mA}$			1.50	V
SLEEP PIN						
Logic High Input Voltage	V_H		2.4			V
Logic High Input Current	I_H				-8	μA
Logic Low Input Voltage	V_L				0.8	V
Logic Low Input Current	I_L				-8	μA
SUPPLY CURRENT						
Sleep Mode		No Load			45	μA
		No Load			15	μA

NOTES

¹For proper operation, a 1 μF capacitor is required between the output pin and the GND pin of the device.² TCV_O is defined as the ratio of output change with temperature variation to the specified temperature range expressed in ppm/ $^\circ\text{C}$.

$$TCV_O = (V_{max} - V_{min})/V_O (T_{MAX} - T_{MIN})$$

³Guaranteed by characterization.⁴Line and load regulation specifications include the effect of self-heating.

Specifications subject to change without notice.

REF192—SPECIFICATIONS

ELECTRICAL CHARACTERISTICS (@ $V_S = 3.3\text{ V}$, $-40^\circ\text{C} \leq T_A \leq +125^\circ\text{C}$ unless otherwise noted)

Parameter	Symbol	Condition	Min	Typ	Max	Units
TEMPERATURE COEFFICIENT ^{1,2}						
“E” Grade	TCV _O /°C	I _{OUT} = 0 mA		2		ppm/°C
“F” Grade				5		ppm/°C
“G” Grade ³				10		ppm/°C
LINE REGULATION ⁴						
“E” Grade	$\Delta V_O/\Delta V_{IN}$	3.0 V ≤ V _S ≤ 15 V, I _{OUT} = 0 mA		10		ppm/V
“F & G” Grades				20		ppm/V
LOAD REGULATION ⁴						
“E” Grade	$\Delta V_O/\Delta V_{LOAD}$	V _S = 5.0 V, 0 ≤ I _{OUT} ≤ 20 mA		10		ppm/mA
“F & G” Grades				20		ppm/mA
DROPOUT VOLTAGE	V _S - V _O	V _S = 3.5 V, I _{LOAD} = 10 mA			1.00	V
		V _S = 4.0 V, I _{LOAD} = 20 mA			1.50	V

NOTES

¹For proper operation, a 1 μF capacitor is required between the output pin and the GND pin of the device.

²TCV_O is defined as the ratio of output change with temperature variation to the specified temperature range expressed in ppm/°C.

$$TCV_O = (V_{max} - V_{min})/V_O (T_{MAX} - T_{MIN})$$

³Guaranteed by characterization.

⁴Line and load regulation specifications include the effect of self-heating.

Specifications subject to change without notice.

REF193—SPECIFICATIONS

ELECTRICAL CHARACTERISTICS (@ $V_S = 3.3\text{ V}$, $T_A = +25^\circ\text{C}$ unless otherwise noted)

Parameter	Symbol	Condition	Min	Typ	Max	Units
INITIAL ACCURACY ¹						
“G” Grade	V _O	I _{OUT} = 0 mA	2.990	3.0	3.010	V
LINE REGULATION ²						
“G” Grades	$\Delta V_O/\Delta V_{IN}$	3.3 V, ≤ V _S ≤ 15 V, I _{OUT} = 0 mA		4	8	ppm/V
LOAD REGULATION ²						
“G” Grade	$\Delta V_O/\Delta V_{LOAD}$	V _S = 5.0 V, 0 ≤ I _{OUT} ≤ 30 mA		6	15	ppm/mA
DROPOUT VOLTAGE	V _S - V _O	V _S = 3.8 V, I _{LOAD} = 10 mA			0.80	V
		V _S = 4.0 V, I _{LOAD} = 30 mA			1.00	V
LONG-TERM STABILITY ³	ΔV_O	1000 Hours @ +125°C		1.2		mV
NOISE VOLTAGE	ε _N	0.1 Hz to 10 Hz		30		μV p-p

NOTES

¹Initial accuracy includes temperature hysteresis effect.

²Line and load regulation specifications include the effect of self-heating.

³Long-term drift is guaranteed by 1000 hours life test performed on three independent wafer lots at +125°C, with an LTPD of 1.3.

Specifications subject to change without notice.

REF19x Series

REF193—SPECIFICATIONS

勝特力材料 886-3-5753170
 勝特力电子(上海) 86-21-54151736
 勝特力电子(深圳) 86-755-83298787
[Http://www.100y.com.tw](http://www.100y.com.tw)

ELECTRICAL CHARACTERISTICS (@ $V_S = 3.3\text{ V}$, $T_A = -40^\circ\text{C} \leq T_A \leq +85^\circ\text{C}$ unless otherwise noted)

Parameter	Symbol	Condition	Min	Typ	Max	Units
TEMPERATURE COEFFICIENT ^{1,2} “G” Grade ³	$TCV_O/^\circ\text{C}$	$I_{OUT} = 0\text{ mA}$		10	25	ppm/ $^\circ\text{C}$
LINE REGULATION ⁴ “G” Grade	$\Delta V_O/\Delta V_{IN}$	$3.3\text{ V} \leq V_S \leq 15\text{ V}$, $I_{OUT} = 0\text{ mA}$		10	20	ppm/V
LOAD REGULATION ⁴ “G” Grade	$\Delta V_O/\Delta V_{LOAD}$	$V_S = 5.0\text{ V}$, $0 \leq I_{OUT} \leq 25\text{ mA}$		10	20	ppm/mA
DROPOUT VOLTAGE	$V_S - V_O$	$V_S = 3.8\text{ V}$, $I_{LOAD} = 10\text{ mA}$			0.80	V
		$V_S = 4.1\text{ V}$, $I_{LOAD} = 30\text{ mA}$			1.10	V
SLEEP PIN						
Logic High Input Voltage	V_H		2.4			V
Logic High Input Current	I_H				-8	μA
Logic Low Input Voltage	V_L				0.8	V
Logic Low Input Current	I_L				-8	μA
SUPPLY CURRENT		No Load			45	μA
		Sleep Mode			15	μA

NOTES

¹For proper operation, a 1 μF capacitor is required between the output pin and the GND pin of the device.

² TCV_O is defined as the ratio of output change with temperature variation to the specified temperature range expressed in ppm/ $^\circ\text{C}$.

$$TCV_O = (V_{max} - V_{min})/V_O (T_{MAX} - T_{MIN}).$$

³Guaranteed by characterization.

⁴Line and load regulation specifications include the effect of self-heating.

Specifications subject to change without notice.

ELECTRICAL CHARACTERISTICS (@ $V_S = 3.3\text{ V}$, $-40^\circ\text{C} \leq T_A \leq +125^\circ\text{C}$ unless otherwise noted)

Parameter	Symbol	Condition	Min	Typ	Max	Units
TEMPERATURE COEFFICIENT ^{1,2} “G” Grade ³	$TCV_O/^\circ\text{C}$	$I_{OUT} = 0\text{ mA}$		10		ppm/ $^\circ\text{C}$
LINE REGULATION ⁴ “G” Grade	$\Delta V_O/\Delta V_{IN}$	$3.3\text{ V} \leq V_S \leq 15\text{ V}$, $I_{OUT} = 0\text{ mA}$		20		ppm/V
LOAD REGULATION ⁴ “G” Grade	$\Delta V_O/\Delta V_{LOAD}$	$V_S = 5.0\text{ V}$, $0 \leq I_{OUT} \leq 20\text{ mA}$		10		ppm/mA
DROPOUT VOLTAGE	$V_S - V_O$	$V_S = 3.8\text{ V}$, $I_{LOAD} = 10\text{ mA}$			0.80	V
		$V_S = 4.1\text{ V}$, $I_{LOAD} = 20\text{ mA}$			1.10	V

NOTES

¹For proper operation, a 1 μF capacitor is required between the output pin and the GND pin of the device.

² TCV_O is defined as the ratio of output change with temperature variation to the specified temperature range expressed in ppm/ $^\circ\text{C}$.

$$TCV_O = (V_{max} - V_{min})/V_O (T_{MAX} - T_{MIN}).$$

³Guaranteed by characterization.

⁴Line and load regulation specifications include the effect of self-heating.

Specifications subject to change without notice.

REF194—SPECIFICATIONS

ELECTRICAL CHARACTERISTICS (@ $V_S = 5.0\text{ V}$, $T_A = +25^\circ\text{C}$ unless otherwise noted)

Parameter	Symbol	Condition	Min	Typ	Max	Units
INITIAL ACCURACY ¹						
“E” Grade	V_O	$I_{OUT} = 0\text{ mA}$	4.498	4.5	4.502	V
“F” Grade			4.495		4.505	V
“G” Grade			4.490		4.510	V
LINE REGULATION ²						
“E” Grade	$\Delta V_O/\Delta V_{IN}$	$4.75\text{ V} \leq V_S \leq 15\text{ V}$, $I_{OUT} = 0\text{ mA}$		2	4	ppm/V
“F & G” Grades				4	8	ppm/V
LOAD REGULATION ²						
“E” Grade	$\Delta V_O/\Delta V_{LOAD}$	$V_S = 5.8\text{ V}$, $0 \leq I_{OUT} \leq 30\text{ mA}$		2	4	ppm/mA
“F & G” Grades				4	8	ppm/mA
DROPOUT VOLTAGE	$V_S - V_O$	$V_S = 5.00\text{ V}$, $I_{LOAD} = 10\text{ mA}$ $V_S = 5.8\text{ V}$, $I_{LOAD} = 30\text{ mA}$			0.50 1.30	V V
LONG-TERM STABILITY ³	ΔV_O	1000 Hours @ $+125^\circ\text{C}$		2		mV
NOISE VOLTAGE	e_N	0.1 Hz to 10 Hz		45		$\mu\text{V p-p}$

NOTES

¹Initial accuracy includes temperature hysteresis effect.

²Line and load regulation specifications include the effect of self-heating.

³Long-term drift is guaranteed by 1000 hours life test performed on three independent wafer lots at $+125^\circ\text{C}$, with an LTPD of 1.3.

Specifications subject to change without notice.

ELECTRICAL CHARACTERISTICS (@ $V_S = 5.0\text{ V}$, $T_A = -40^\circ\text{C} \leq T_A \leq +85^\circ\text{C}$ unless otherwise noted)

Parameter	Symbol	Condition	Min	Typ	Max	Units
TEMPERATURE COEFFICIENT ^{1, 2}						
“E” Grade	$TCV_O/^\circ\text{C}$	$I_{OUT} = 0\text{ mA}$		2	5	ppm/ $^\circ\text{C}$
“F” Grade				5	10	ppm/ $^\circ\text{C}$
“G” Grade ³				10	25	ppm/ $^\circ\text{C}$
LINE REGULATION ⁴						
“E” Grade	$\Delta V_O/\Delta V_{IN}$	$4.75\text{ V} \leq V_S \leq 15\text{ V}$, $I_{OUT} = 0\text{ mA}$		5	10	ppm/V
“F & G” Grades				10	20	ppm/V
LOAD REGULATION ⁴						
“E” Grade	$\Delta V_O/\Delta V_{LOAD}$	$V_S = 5.80\text{ V}$, $0 \leq I_{OUT} \leq 25\text{ mA}$		5	15	ppm/mA
“F & G” Grades				10	20	ppm/mA
DROPOUT VOLTAGE	$V_S - V_O$	$V_S = 5.00\text{ V}$, $I_{LOAD} = 10\text{ mA}$ $V_S = 5.80\text{ V}$, $I_{LOAD} = 25\text{ mA}$			0.5 1.30	V V
SLEEP PIN						
Logic High Input Voltage	V_H		2.4			V
Logic High Input Current	I_H				-8	μA
Logic Low Input Voltage	V_L				0.8	V
Logic Low Input Current	I_L				-8	μA
SUPPLY CURRENT						
Sleep Mode		No Load No Load			45 15	μA μA

NOTES

¹For proper operation, a 1 μF capacitor is required between the output pin and the GND pin of the device.

² TCV_O is defined as the ratio of output change with temperature variation to the specified temperature range expressed in ppm/ $^\circ\text{C}$.

$$TCV_O = (V_{max} - V_{min})/V_O (T_{MAX} - T_{MIN})$$

³Guaranteed by characterization.

⁴Line and load regulation specifications include the effect of self-heating.

Specifications subject to change without notice.

REF19x Series

REF194—SPECIFICATIONS

ELECTRICAL CHARACTERISTICS (@ $V_S = 5.0\text{ V}$, $-40^\circ\text{C} \leq T_A \leq +125^\circ\text{C}$ unless otherwise noted)

Parameter	Symbol	Condition	Min	Typ	Max	Units
TEMPERATURE COEFFICIENT ^{1, 2} “E” Grade “F” Grade “G” Grade ³	$TCV_O/^\circ\text{C}$	$I_{OUT} = 0\text{ mA}$		2 5 10		ppm/ $^\circ\text{C}$ ppm/ $^\circ\text{C}$ ppm/ $^\circ\text{C}$
LINE REGULATION ⁴ “E” Grade “F & G” Grades	$\Delta V_O/\Delta V_{IN}$	$4.75\text{ V} \leq V_S \leq 15\text{ V}$, $I_{OUT} = 0\text{ mA}$		5 10		ppm/V ppm/V
LOAD REGULATION ⁴ “E” Grade “F & G” Grades	$\Delta V_O/\Delta V_{LOAD}$	$V_S = 5.80\text{ V}$, $0 \leq I_{OUT} \leq 20\text{ mA}$		5 10		ppm/mA ppm/mA
DROPOUT VOLTAGE	$V_S - V_O$	$V_S = 5.10\text{ V}$, $I_{LOAD} = 10\text{ mA}$ $V_S = 5.95\text{ V}$, $I_{LOAD} = 20\text{ mA}$			0.60 1.45	V V

NOTES

¹For proper operation, a 1 μF capacitor is required between the output pin and the GND pin of the device.

² TCV_O is defined as the ratio of output change with temperature variation to the specified temperature range expressed in ppm/ $^\circ\text{C}$.

$$TCV_O = (V_{max} - V_{min})/V_O (T_{MAX} - T_{MIN})$$

³Guaranteed by characterization.

⁴Line and load regulation specifications include the effect of self-heating.

Specifications subject to change without notice.

勝特力材料 886-3-5753170
胜特力电子(上海) 86-21-54151736
胜特力电子(深圳) 86-755-83298787
[Http://www.100y.com.tw](http://www.100y.com.tw)

REF195—SPECIFICATIONS

ELECTRICAL CHARACTERISTICS (@ $V_S = 5.10\text{ V}$, $T_A = +25^\circ\text{C}$ unless otherwise noted)

Parameter	Symbol	Condition	Min	Typ	Max	Units
INITIAL ACCURACY ¹						
“E” Grade	V_O	$I_{OUT} = 0\text{ mA}$	4.998	5.0	5.002	V
“F” Grade			4.995		5.005	V
“G” Grade			4.990		5.010	V
LINE REGULATION ²						
“E” Grade	$\Delta V_O/\Delta V_{IN}$	$5.10\text{ V} \leq V_S \leq 15\text{ V}$, $I_{OUT} = 0\text{ mA}$		2	4	ppm/V
“F & G” Grades				4	8	ppm/V
LOAD REGULATION ²						
“E” Grade	$\Delta V_O/\Delta V_{LOAD}$	$V_S = 6.30\text{ V}$, $0 \leq I_{OUT} \leq 30\text{ mA}$		2	4	ppm/mA
“F & G” Grades				4	8	ppm/mA
DROPOUT VOLTAGE	$V_S - V_O$	$V_S = 5.50\text{ V}$, $I_{LOAD} = 10\text{ mA}$ $V_S = 6.30\text{ V}$, $I_{LOAD} = 30\text{ mA}$			0.50 1.30	V V
LONG-TERM STABILITY ³	ΔV_O	1000 Hours @ $+125^\circ\text{C}$		1.2		mV
NOISE VOLTAGE	e_N	0.1 Hz to 10 Hz		50		$\mu\text{V p-p}$

NOTES

¹Initial accuracy includes temperature hysteresis effect.

²Line and load regulation specifications include the effect of self-heating.

³Long-term drift is guaranteed by 1000 hours life test performed on three independent wafer lots at $+125^\circ\text{C}$, with an LTPD of 1.3.

Specifications subject to change without notice.

ELECTRICAL CHARACTERISTICS (@ $V_S = 5.15\text{ V}$, $T_A = -40^\circ\text{C} \leq T_A \leq +85^\circ\text{C}$ unless otherwise noted)

Parameter	Symbol	Condition	Min	Typ	Max	Units
TEMPERATURE COEFFICIENT ^{1, 2}						
“E” Grade	$TCV_O/^\circ\text{C}$	$I_{OUT} = 0\text{ mA}$		2	5	ppm/ $^\circ\text{C}$
“F” Grade				5	10	ppm/ $^\circ\text{C}$
“G” Grade ³				10	25	ppm/ $^\circ\text{C}$
LINE REGULATION ⁴						
“E” Grade	$\Delta V_O/\Delta V_{IN}$	$5.15\text{ V} \leq V_S \leq 15\text{ V}$, $I_{OUT} = 0\text{ mA}$		5	10	ppm/V
“F & G” Grades				10	20	ppm/V
LOAD REGULATION ⁴						
“E” Grade	$\Delta V_O/\Delta V_{LOAD}$	$V_S = 6.30\text{ V}$, $0 \leq I_{OUT} \leq 25\text{ mA}$		5	10	ppm/mA
“F & G” Grades				10	20	ppm/mA
DROPOUT VOLTAGE	$V_S - V_O$	$V_S = 5.50\text{ V}$, $I_{LOAD} = 10\text{ mA}$ $V_S = 6.30\text{ V}$, $I_{LOAD} = 25\text{ mA}$			0.50 1.30	V V
SLEEP PIN						
Logic High Input Voltage	V_H		2.4			V
Logic High Input Current	I_H				-8	μA
Logic Low Input Voltage	V_L				0.8	V
Logic Low Input Current	I_L				-8	μA
SUPPLY CURRENT						
Sleep Mode		No Load No Load			45 15	μA μA

NOTES

¹For proper operation, a $1\text{ }\mu\text{F}$ capacitor is required between the output pin and the GND pin of the device.

² TCV_O is defined as the ratio of output change with temperature variation to the specified temperature range expressed in ppm/ $^\circ\text{C}$.

$$TCV_O = (V_{max} - V_{min})/V_O (T_{MAX} - T_{MIN})$$

³Guaranteed by characterization.

⁴Line and load regulation specifications include the effect of self-heating.

Specifications subject to change without notice.

REF19x Series

勝特力材料 886-3-5753170
 勝特力电子(上海) 86-21-54151736
 勝特力电子(深圳) 86-755-83298787
[Http://www.100y.com.tw](http://www.100y.com.tw)

REF195—SPECIFICATIONS

ELECTRICAL CHARACTERISTICS (@ $V_S = +5.20\text{ V}$, $-40^\circ\text{C} \leq T_A \leq +125^\circ\text{C}$ unless otherwise noted)

Parameter	Symbol	Condition	Min	Typ	Max	Units
TEMPERATURE COEFFICIENT ^{1, 2} “E” Grade “F” Grade “G” Grade ³	$TCV_O/^\circ\text{C}$	$I_{OUT} = 0\text{ mA}$		2 5 10		ppm/ $^\circ\text{C}$ ppm/ $^\circ\text{C}$ ppm/ $^\circ\text{C}$
LINE REGULATION ⁴ “E” Grade “F & G” Grades	$\Delta V_O/\Delta V_{IN}$	$5.20\text{ V} \leq V_S \leq 15\text{ V}$, $I_{OUT} = 0\text{ mA}$		5 10		ppm/V ppm/V
LOAD REGULATION ⁴ “E” Grade “F & G” Grades	$\Delta V_O/\Delta V_{LOAD}$	$V_S = 6.45\text{ V}$, $0 \leq I_{OUT} \leq 20\text{ mA}$		5 10		ppm/mA ppm/mA
DROPOUT VOLTAGE	$V_S - V_O$	$V_S = 5.60\text{ V}$, $I_{LOAD} = 10\text{ mA}$ $V_S = 6.45\text{ V}$, $I_{LOAD} = 20\text{ mA}$			0.60 1.45	V V

NOTES

¹For proper operation, a 1 μF capacitor is required between the output pin and the GND pin of the device.

² TCV_O is defined as the ratio of output change with temperature variation to the specified temperature range expressed in ppm/ $^\circ\text{C}$.

$$TCV_O = (V_{max} - V_{min})/V_O (T_{MAX} - T_{MIN})$$

³Guaranteed by characterization.

⁴Line and load regulation specifications include the effect of self-heating.

Specifications subject to change without notice.

REF196—SPECIFICATIONS

ELECTRICAL CHARACTERISTICS (@ $V_S = +3.5\text{ V}$, $T_A = +25^\circ\text{C}$ unless otherwise noted)

Parameter	Symbol	Condition	Min	Typ	Max	Units
INITIAL ACCURACY ¹ “G” Grade	V_O	$I_{OUT} = 0\text{ mA}$	3.290	3.3	3.310	V
LINE REGULATION ² “G” Grades	$\Delta V_O/\Delta V_{IN}$	$3.50\text{ V} \leq V_S \leq 15\text{ V}$, $I_{OUT} = 0\text{ mA}$		4	8	ppm/V
LOAD REGULATION ² “G” Grade	$\Delta V_O/\Delta V_{LOAD}$	$V_S = 5.0\text{ V}$, $0 \leq I_{OUT} \leq 30\text{ mA}$		6	15	ppm/mA
DROPOUT VOLTAGE	$V_S - V_O$	$V_S = 4.1\text{ V}$, $I_{LOAD} = 10\text{ mA}$ $V_S = 4.3\text{ V}$, $I_{LOAD} = 30\text{ mA}$			0.80 1.00	V V
LONG-TERM STABILITY ³	ΔV_O	1000 Hours @ $+125^\circ\text{C}$		1.2		mV
NOISE VOLTAGE	e_N	0.1 Hz to 10 Hz		33		$\mu\text{V p-p}$

NOTES

¹Initial accuracy includes temperature hysteresis effect.

²Line and load regulation specifications include the effect of self-heating.

³Long-term drift is guaranteed by 1000 hours life test performed on three independent wafer lots at $+125^\circ\text{C}$, with an LTPD of 1.3.

Specifications subject to change without notice.

REF196—SPECIFICATIONS

ELECTRICAL CHARACTERISTICS (@ $V_S = +3.5\text{ V}$, $T_A = -40^\circ\text{C} \leq T_A \leq +85^\circ\text{C}$ unless otherwise noted)

Parameter	Symbol	Condition	Min	Typ	Max	Units
TEMPERATURE COEFFICIENT ^{1,2} “G” Grade ³	$TCV_O/^\circ\text{C}$	$I_{OUT} = 0\text{ mA}$		10	25	ppm/ $^\circ\text{C}$
LINE REGULATION ⁴ “G” Grade	$\Delta V_O/\Delta V_{IN}$	$3.5\text{ V} \leq V_S \leq 15\text{ V}$, $I_{OUT} = 0\text{ mA}$		10	20	ppm/V
LOAD REGULATION ⁴ “G” Grade	$\Delta V_O/\Delta V_{LOAD}$	$V_S = 5.0\text{ V}$, $0 \leq I_{OUT} \leq 25\text{ mA}$		10	20	ppm/mA
DROPOUT VOLTAGE	$V_S - V_O$	$V_S = 4.1\text{ V}$, $I_{LOAD} = 10\text{ mA}$ $V_S = 4.3\text{ V}$, $I_{LOAD} = 25\text{ mA}$			0.80 1.00	V V
SLEEP PIN Logic High Input Voltage Logic High Input Current Logic Low Input Voltage Logic Low Input Current	V_H I_H V_L I_L		2.4		-8 0.8 -8	V μA V μA
SUPPLY CURRENT Sleep Mode		No Load No Load			45 15	μA μA

NOTES

¹For proper operation, a 1 μF capacitor is required between the output pin and the GND pin of the device.

² TCV_O is defined as the ratio of output change with temperature variation to the specified temperature range expressed in ppm/ $^\circ\text{C}$.

$$TCV_O = (V_{max} - V_{min})/V_O (T_{MAX} - T_{MIN}).$$

³Guaranteed by characterization.

⁴Line and load regulation specifications include the effect of self-heating.

Specifications subject to change without notice.

ELECTRICAL CHARACTERISTICS (@ $V_S = +3.50\text{ V}$, $-40^\circ\text{C} \leq T_A \leq +125^\circ\text{C}$ unless otherwise noted)

Parameter	Symbol	Condition	Min	Typ	Max	Units
TEMPERATURE COEFFICIENT ^{1,2} “G” Grade ³	$TCV_O/^\circ\text{C}$	$I_{OUT} = 0\text{ mA}$		10		ppm/ $^\circ\text{C}$
LINE REGULATION ⁴ “G” Grade	$\Delta V_O/\Delta V_{IN}$	$3.50\text{ V} \leq V_S \leq 15\text{ V}$, $I_{OUT} = 0\text{ mA}$		20		ppm/V
LOAD REGULATION ⁴ “G” Grade	$\Delta V_O/\Delta V_{LOAD}$	$V_S = 5.0\text{ V}$, $0 \leq I_{OUT} \leq 20\text{ mA}$		20		ppm/mA
DROPOUT VOLTAGE	$V_S - V_O$	$V_S = 4.1\text{ V}$, $I_{LOAD} = 10\text{ mA}$ $V_S = 4.4\text{ V}$, $I_{LOAD} = 20\text{ mA}$			0.80 1.10	V V

NOTES

¹For proper operation, a 1 μF capacitor is required between the output pin and the GND pin of the device.

² TCV_O is defined as the ratio of output change with temperature variation to the specified temperature range expressed in ppm/ $^\circ\text{C}$.

$$TCV_O = (V_{max} - V_{min})/V_O (T_{MAX} - T_{MIN}).$$

³Guaranteed by characterization.

⁴Line and load regulation specifications include the effect of self-heating.

Specifications subject to change without notice.

REF19x Series

REF198—SPECIFICATIONS

ELECTRICAL CHARACTERISTICS (@ $V_S = 5.0\text{ V}$, $T_A = +25^\circ\text{C}$ unless otherwise noted)

勝特力材料 886-3-5753170
 勝特力电子(上海) 86-21-54151736
 勝特力电子(深圳) 86-755-83298787
[Http://www.100y.com.tw](http://www.100y.com.tw)

Parameter	Symbol	Condition	Min	Typ	Max	Units
INITIAL ACCURACY ¹						
“E” Grade	V_O	$I_{OUT} = 0\text{ mA}$	4.094	4.096	4.098	V
“F” Grade			4.091		4.101	V
“G” Grade			4.086		4.106	V
LINE REGULATION ²						
“E” Grade	$\Delta V_O/\Delta V_{IN}$	$4.5\text{ V} \leq V_S \leq 15\text{ V}$, $I_{OUT} = 0\text{ mA}$		2	4	ppm/V
“F & G” Grades				4	8	ppm/V
LOAD REGULATION ²						
“E” Grade	$\Delta V_O/\Delta V_{LOAD}$	$V_S = 5.4\text{ V}$, $0 \leq I_{OUT} \leq 30\text{ mA}$		2	4	ppm/mA
“F & G” Grades				4	8	ppm/mA
DROPOUT VOLTAGE	$V_S - V_O$	$V_S = 4.6\text{ V}$, $I_{LOAD} = 10\text{ mA}$ $V_S = 5.4\text{ V}$, $I_{LOAD} = 30\text{ mA}$			0.50 1.30	V V
LONG-TERM STABILITY ³	ΔV_O	1000 Hours @ $+125^\circ\text{C}$		1.2		mV
NOISE VOLTAGE	e_N	0.1 Hz to 10 Hz		40		$\mu\text{V p-p}$

NOTES

¹Initial accuracy includes temperature hysteresis effect.²Line and load regulation specifications include the effect of self-heating.³Long-term drift is guaranteed by 1000 hours life test performed on three independent wafer lots at $+125^\circ\text{C}$, with an LTPD of 1.3.

Specifications subject to change without notice.

ELECTRICAL CHARACTERISTICS (@ $V_S = +5.0\text{ V}$, $-40^\circ\text{C} \leq T_A \leq +85^\circ\text{C}$ unless otherwise noted)

Parameter	Symbol	Condition	Min	Typ	Max	Units
TEMPERATURE COEFFICIENT ^{1,2}						
“E” Grade	$TCV_O/^\circ\text{C}$	$I_{OUT} = 0\text{ mA}$		2	5	ppm/ $^\circ\text{C}$
“F” Grade				5	10	ppm/ $^\circ\text{C}$
“G” Grade ³				10	25	ppm/ $^\circ\text{C}$
LINE REGULATION ⁴						
“E” Grade	$\Delta V_O/\Delta V_{IN}$	$4.5\text{ V} \leq V_S \leq 15\text{ V}$, $I_{OUT} = 0\text{ mA}$		5	10	ppm/V
“F & G” Grades				10	20	ppm/V
LOAD REGULATION ⁴						
“E” Grade	$\Delta V_O/\Delta V_{LOAD}$	$V_S = 5.4\text{ V}$, $0 \leq I_{OUT} \leq 25\text{ mA}$		5	10	ppm/mA
“F & G” Grades				10	20	ppm/mA
DROPOUT VOLTAGE	$V_S - V_O$	$V_S = 4.6\text{ V}$, $I_{LOAD} = 10\text{ mA}$ $V_S = 5.4\text{ V}$, $I_{LOAD} = 25\text{ mA}$			0.50 1.30	V V
SLEEP PIN						
Logic High Input Voltage	V_H		2.4			V
Logic High Input Current	I_H				-8	μA
Logic Low Input Voltage	V_L				0.8	V
Logic Low Input Current	I_L				-8	μA
SUPPLY CURRENT						
Sleep Mode		No Load No Load			45 15	μA μA

NOTES

¹For proper operation, a 1 μF capacitor is required between the output pin and the GND pin of the device.² TCV_O is defined as the ratio of output change with temperature variation to the specified temperature range expressed in ppm/ $^\circ\text{C}$.

$$TCV_O = (V_{max} - V_{min})/V_O (T_{MAX} - T_{MIN})$$

³Guaranteed by characterization.⁴Line and load regulation specifications include the effect of self-heating.

Specifications subject to change without notice.

REF198—SPECIFICATIONS

ELECTRICAL CHARACTERISTICS (@ $V_S = +5.0\text{ V}$, $-40^\circ\text{C} \leq T_A \leq +125^\circ\text{C}$ unless otherwise noted)

Parameter	Symbol	Condition	Min	Typ	Max	Units
TEMPERATURE COEFFICIENT ^{1, 2} “E” Grade “F” Grade “G” Grade ³	$TCV_O/^\circ\text{C}$	$I_{OUT} = 0\text{ mA}$		2 5 10		ppm/ $^\circ\text{C}$ ppm/ $^\circ\text{C}$ ppm/ $^\circ\text{C}$
LINE REGULATION ⁴ “E” Grade “F & G” Grades	$\Delta V_O/\Delta V_{IN}$	$4.5\text{ V} \leq V_S \leq 15\text{ V}$, $I_{OUT} = 0\text{ mA}$		5 10		ppm/V ppm/V
LOAD REGULATION ⁴ “E” Grade “F & G” Grades	$\Delta V_O/\Delta V_{LOAD}$	$V_S = 5.6\text{ V}$, $0 \leq I_{OUT} \leq 20\text{ mA}$		5 10		ppm/mA ppm/mA
DROPOUT VOLTAGE	$V_S - V_O$	$V_S = 4.7\text{ V}$, $I_{LOAD} = 10\text{ mA}$ $V_S = 5.6\text{ V}$, $I_{LOAD} = 20\text{ mA}$			0.60 1.50	V V

NOTES

¹For proper operation, a 1 μF capacitor is required between the output pin and the GND pin of the device.

² TCV_O is defined as the ratio of output change with temperature variation to the specified temperature range expressed in ppm/ $^\circ\text{C}$.

$$TCV_O = (V_{max} - V_{min})/V_O (T_{MAX} - T_{MIN}).$$

³Guaranteed by characterization.

⁴Line and load regulation specifications include the effect of self-heating.

Specifications subject to change without notice.

REF19x Series

WAFER TEST LIMITS (@ I_{LOAD} = 0 mA, T_A = +25°C unless otherwise noted)

勝特力材料 886-3-5753170
 勝特力电子(上海) 86-21-54151736
 勝特力电子(深圳) 86-755-83298787
[Http://www.100y.com.tw](http://www.100y.com.tw)

Parameter	Symbol	Condition	Limits	Units
INITIAL ACCURACY				
REF191	V _O		2.043/2.053	V
REF192			2.495/2.505	V
REF193			2.990/3.010	V
REF194			4.495/4.505	V
REF195			4.995/5.005	V
REF196			3.290/3.310	V
REF198			4.091/4.101	V
LINE REGULATION	$\Delta V_O / \Delta V_{IN}$	(V _O + 0.5 V) < V _{IN} < 15 V, I _{OUT} = 0 mA	15	ppm/V
LOAD REGULATION	$\Delta V_O / \Delta I_{LOAD}$	0 mA < I _{LOAD} < 30 mA, V _{IN} = (V _O + 1.3 V)	15	ppm/mA
DROPOUT VOLTAGE	V _O - V+	I _{LOAD} = 10 mA I _{LOAD} = 30 mA	1.25 1.55	V V
SLEEP MODE INPUT				
Logic Input High	V _{IH}		2.4	V
Logic Input Low	V _{IL}		0.8	V
SUPPLY CURRENT	V _{IN} = 15 V			
Sleep Mode		No Load No Load	45 15	μA μA

NOTE
 For proper operation, a 1 μF capacitor is required between the output pins and the GND pin of the REF19x. Electrical tests and wafer probe to the limits shown. Due to variations in assembly methods and normal yield loss, yield after packaging is not guaranteed for standard product dice. Consult factory to negotiate specifications based on dice lot qualifications through sample lot assembly and testing.

ABSOLUTE MAXIMUM RATINGS¹

- Supply Voltage -0.3 V, +18 V
- Output to GND -0.3 V, V_S + 0.3 V
- Output to GND Short-Circuit Duration Indefinite
- Storage Temperature Range
- P, S Package -65°C to +150°C
- Operating Temperature Range
- REF19x -40°C to +85°C
- Junction Temperature Range
- P, S Package -65°C to +150°C
- Lead Temperature Range (Soldering 60 sec) +300°C

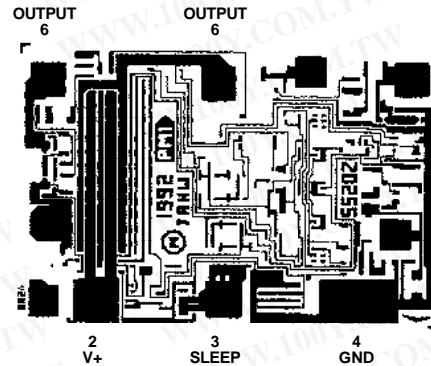
Package Type	θ _{JA} ²	θ _{JC}	Units
8-Lead Plastic DIP (P)	103	43	°C/W
8-Lead SOIC (S)	158	43	°C/W
8-Lead TSSOP	240	43	°C/W

NOTES
¹Absolute maximum rating applies to both DICE and packaged parts, unless otherwise noted.
²θ_{JA} is specified for worst case conditions, i.e., θ_{JA} is specified for device in socket for P-DIP, and θ_{JA} is specified for device soldered in circuit board for SOIC package.

CAUTION

ESD (electrostatic discharge) sensitive device. Electrostatic charges as high as 4000 V readily accumulate on the human body and test equipment and can discharge without detection. Although the REF19x features proprietary ESD protection circuitry, permanent damage may occur on devices subjected to high energy electrostatic discharges. Therefore, proper ESD precautions are recommended to avoid performance degradation or loss of functionality.

DICE CHARACTERISTICS



REF19x Die Size 0.041 × 0.057 Inch, 2,337 Sq. Mils
 Substrate Is Connected to V+, Number of Transistors:
 Bipolar 25, MOSFET4. Process: CBCMOS1



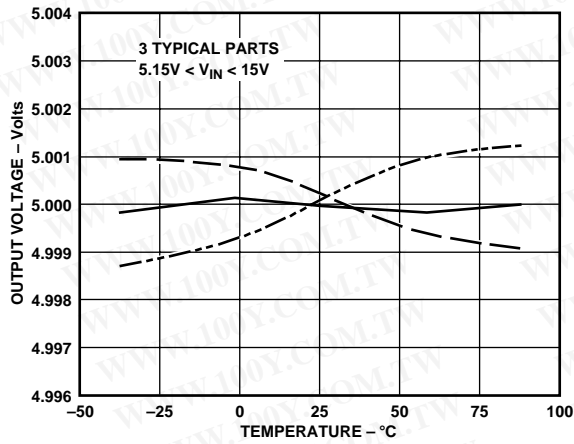


Figure 1. REF195 Output Voltage vs. Temperature

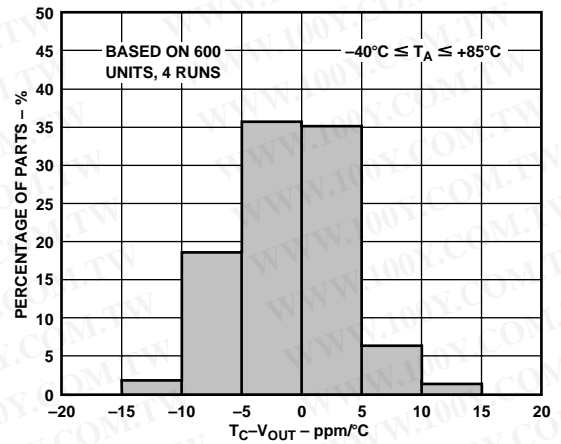


Figure 4. $T_C - V_{OUT}$ Distribution

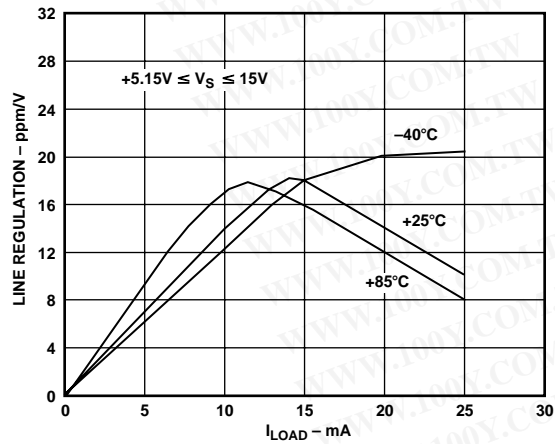


Figure 2. REF195 Line Regulation vs. I_{LOAD}

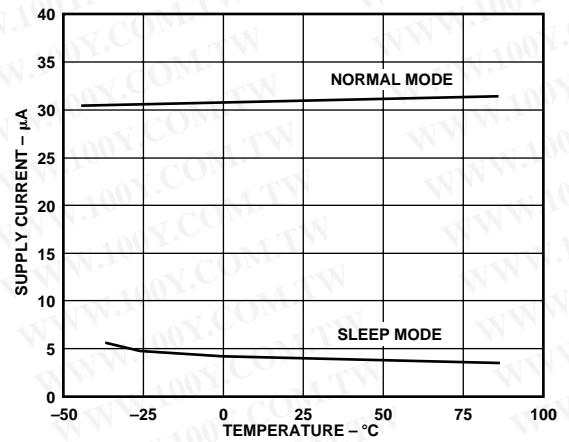


Figure 5. Quiescent Current vs. Temperature

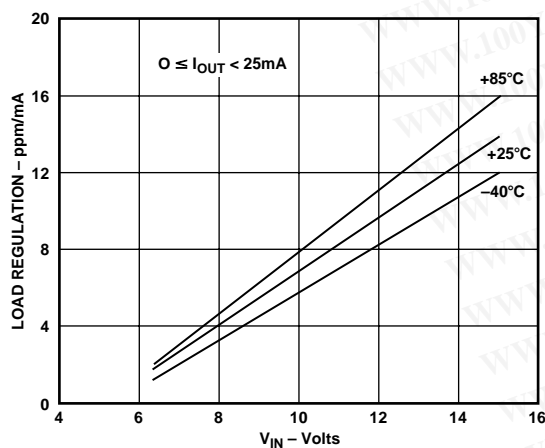


Figure 3. REF195 Load Regulation vs. V_{IN}

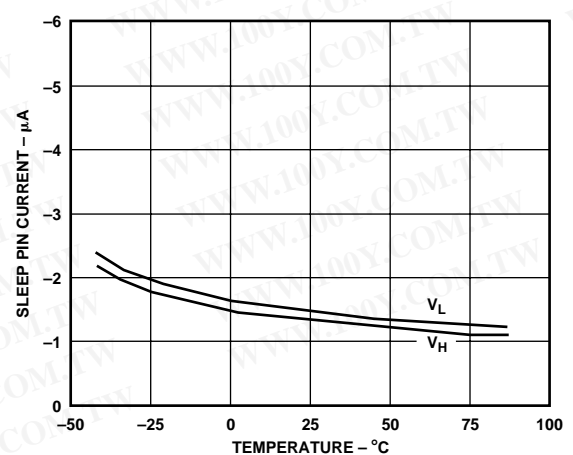


Figure 6. SLEEP Pin Current vs. Temperature

勝特力材料 886-3-5753170
 勝特力电子(上海) 86-21-54151736
 勝特力电子(深圳) 86-755-83298787
[Http://www.100y.com.tw](http://www.100y.com.tw)

REF19x Series

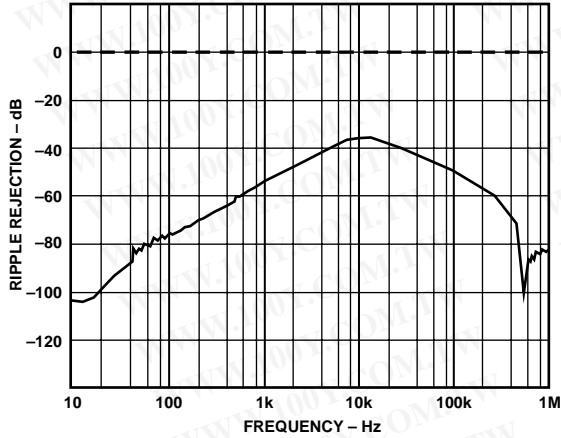


Figure 7a. Ripple Rejection vs. Frequency

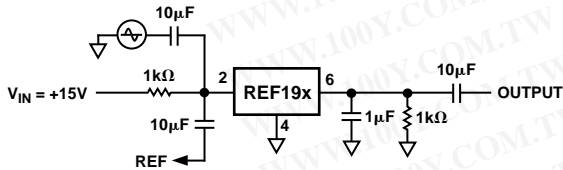


Figure 7b. Ripple Rejection vs. Frequency Measurement Circuit

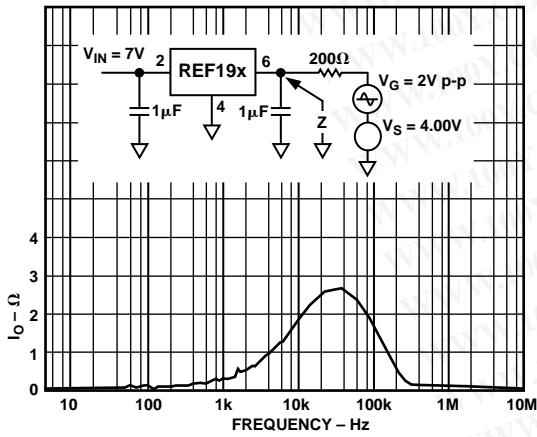


Figure 8. Output Impedance vs. Frequency

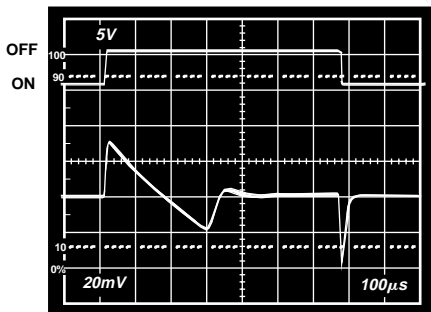


Figure 9a. Load Transient Response

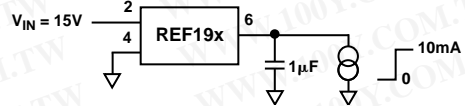


Figure 9b. Load Transient Response Measurement Circuit

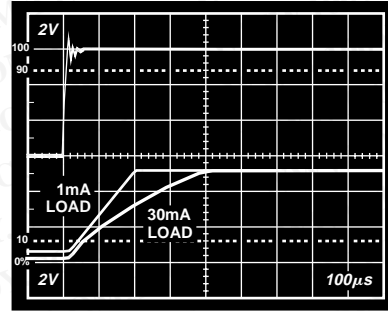


Figure 10a. Power ON Response Time

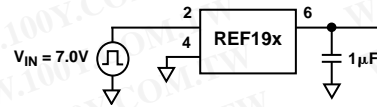


Figure 10b. Power ON Response Time Measurement Circuit

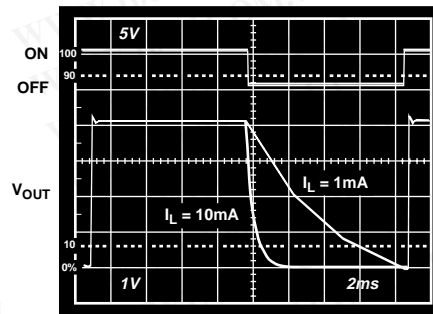


Figure 11a. Sleep Response Time

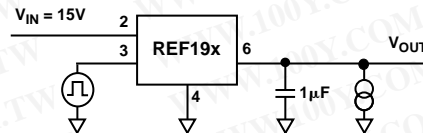


Figure 11b. Sleep Response Time Measurement Circuit

勝特力材料 886-3-5753170
 勝特力电子(上海) 86-21-54151736
 勝特力电子(深圳) 86-755-83298787
[Http://www.100y.com.tw](http://www.100y.com.tw)

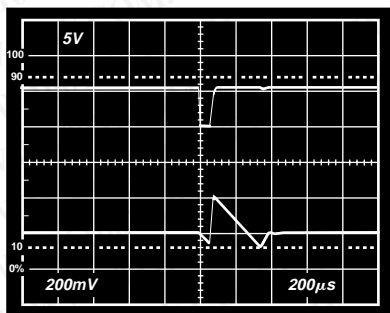


Figure 12. Line Transient Response

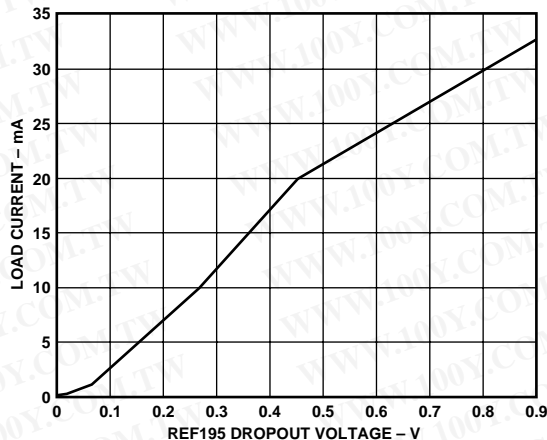


Figure 13. Dropout Voltage vs. Load Current

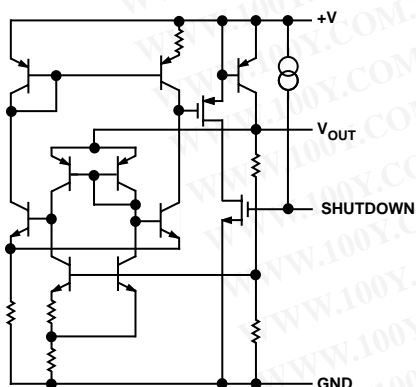


Figure 14. Simplified Schematic

APPLICATIONS SECTION

Output Short Circuit Behavior

The REF19x family of devices is totally protected from damage due to accidental output shorts to GND or to V+. In the event of an accidental short circuit condition, the reference device will shutdown and limit its supply current to 100 µA.

Device Power Dissipation Considerations

The REF19x family of references is capable of delivering load currents to 30 mA with an input voltage that ranges from 3.3 V to 15 V. When these devices are used in applications with large input voltages, care should be exercised to avoid exceeding these devices' maximum internal power dissipation. Exceeding the published specifications for maximum power dissipation or junction temperature could result in premature device failure. The following formula should be used to calculate a device's maximum junction temperature or dissipation:

$$P_D = \frac{T_J - T_A}{\theta_{JA}}$$

In this equation, T_J and T_A are the junction and ambient temperatures, respectively, P_D is the device power dissipation and θ_{JA} is the device package thermal resistance.

Output Voltage Bypassing

For stable operation, low dropout voltage regulators and references, in general, require a bypass capacitor connected from their V_{OUT} pins to their GND pins. Although the REF19x family of references is capable of stable operation with capacitive loads exceeding 100 µF, a 1 µF capacitor is sufficient to guarantee rated performance. The addition of a 0.1 µF ceramic capacitor in parallel with the bypass capacitor will improve load current transient performance. For best line voltage transient performance, it is recommended that the voltage inputs of these devices be bypassed with a 10 µF electrolytic capacitor in parallel with a 0.1 µF ceramic capacitor.

Sleep Mode Operation

All REF19x devices include a sleep capability that is TTL/CMOS level compatible. Internal to the REF19x at the SLEEP pin, a pull-up current source to V_{IN} is connected. This permits the SLEEP pin to be driven from an open collector/drain driver. A logic LOW or a zero volt condition on the SLEEP pin is required to turn the output stage OFF. During sleep, the output of the references becomes a high impedance state where its potential would then be determined by external circuitry. If the sleep feature is not used, it is recommended that the SLEEP pin be connected to V_{IN} (Pin 2).

Basic Voltage Reference Connections

The circuit in Figure 15 illustrates the basic configuration for the REF19x family of references. Note the 10 µF/0.1 µF bypass network on the input and the 1 µF/0.1 µF bypass network on the output. It is recommended that no connections be made to Pins 1, 5, 7 and 8. If the sleep feature is not required, Pin 3 should be connected to V_{IN}.

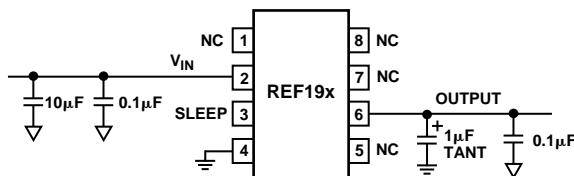


Figure 15. Basic Voltage Reference Configuration

REF19x Series

Membrane Switch Controlled Power Supply

With output load currents in the tens of mA, the REF19x family of references can operate as a low dropout power supply in hand-held instrument applications. In the circuit shown in Figure 16, a membrane ON/OFF switch is used to control the operation of the reference. During an initial power-on condition, the SLEEP pin is held to GND by the 10 kΩ resistor. Recall that this condition disables (read: three-state) the REF19x output. When the membrane ON switch is pressed, the SLEEP pin is momentarily pulled to V_{IN} , enabling the REF19x output. At this point, current through the 10 kΩ is reduced and the internal current source connected to the SLEEP pin takes control. Pin 3 assumes and remains at the same potential as V_{IN} . When the membrane OFF switch is pressed, the SLEEP pin is momentarily connected to GND, which once again disables the REF19x output.

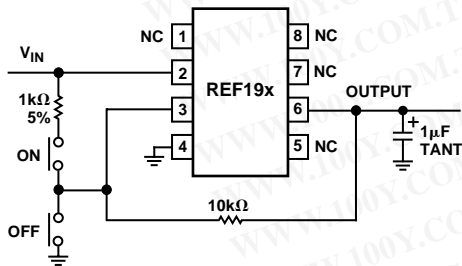


Figure 16. Membrane Switch Controlled Power Supply

Current-Boosted References with Current Limiting

While the 30 mA rated output current of the REF19x series is higher than typical of other reference ICs, it can be boosted to higher levels if desired, with the addition of a simple external PNP transistor, as shown in Figure 17. Full time current limiting is used for protection of the pass transistor against shorts.

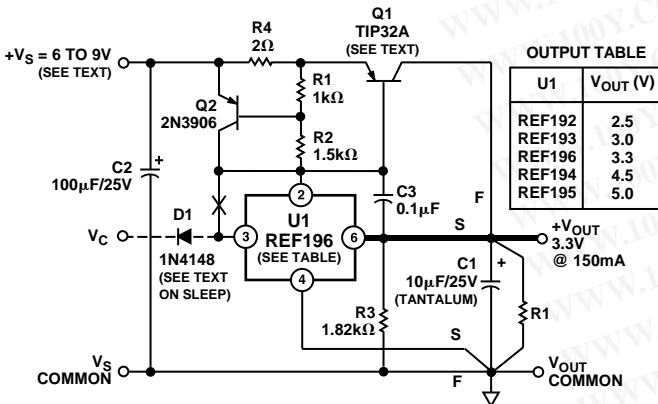


Figure 17. A Boosted 3.3 V Reference with Current Limiting

In this circuit, the power supply current of reference U1 flowing through R1–R2 develops a base drive for Q1, whose collector provides the bulk of the output current. With a typical gain of 100 in Q1 for 100 mA–200 mA loads, U1 is never required to furnish more than a few mA, so this factor minimizes temperature related drift. Short circuit protection is provided by Q2, which clamps drive to Q1 at about 300 mA of load current with values as shown. With this separation of control and power functions, dc stability is optimum, allowing best advantage use of premium grade REF19x devices for U1. Of course, load management should still be exercised. A short, heavy, low DCR (DC Resistance) conductor should be used from U1–6 to the V_{OUT} sense point “S,” where the collector of Q1 connects to the load, point “F.”

Because of the current limiting configuration, the dropout voltage circuit is raised about 1.1 V over that of the REF19x devices, due to the V_{BE} of Q1 and the drop across current sense resistor R4. However, overall dropout is typically still low enough to allow operation of a 5 V to 3.3 V regulator/reference using the REF196 for U1 as noted, with a V_S as low as 4.5 V and a load current of 150 mA.

The requirement for a heat sink on Q1 depends on the maximum input voltage and short circuit current. With $V_S = 5$ V and a 300 mA current limit, the worst case dissipation of Q1 is 1.5 W, less than the TO-220 package 2 W limit. However, if smaller TO-39 or TO-5 packaged devices such as the 2N4033 are used, the current limit should be reduced to keep maximum dissipation below the package rating. This is accomplished by simply raising R4.

A tantalum output capacitor is used at C1 for its low ESR (Equivalent Series Resistance), and the higher value is required for stability. Capacitor C2 provides input bypassing and can be an ordinary electrolytic.

Shutdown control of the booster stage is shown as an option, and when used some cautions are in order. Because of the additional active devices in the V_S line to U1, direct drive to Pin 3 does not work as with an unbuffered REF19x device. To enable shutdown control, the connection to U1–2 is broken at the “X,” and diode D1 then allows a CMOS control source V_C to drive U1–3 for ON-OFF operation. Startup from shutdown is not as clean under heavy load as it is in basic REF19x series and can require several milliseconds under load. Nevertheless, it is still effective and can fully control 150 mA loads. When shutdown control is used, heavy capacitive loads should be minimized.

勝特力材料 886-3-5753170
 勝特力电子(上海) 86-21-54151736
 勝特力电子(深圳) 86-755-83298787
[Http://www.100y.com.tw](http://www.100y.com.tw)

A Negative Precision Reference without Precision Resistors

In many current-output CMOS DAC applications, where the output signal voltage must be of the same polarity as the reference voltage, it is often required to reconfigure a current-switching DAC into a voltage-switching DAC through the use of a 1.25 V reference, an op amp and a pair of resistors. Using a current-switching DAC directly requires an additional operational amplifier at the output to reinvert the signal. A negative voltage reference is then desirable from the point that an additional operational amplifier is not required for either reinversion (current-switching mode) or amplification (voltage switching mode) of the DAC output voltage. In general, any positive voltage reference can be converted into a negative voltage reference through the use of an operational amplifier and a pair of matched resistors in an inverting configuration. The disadvantage to that approach is that the largest single source of error in the circuit is the relative matching of the resistors used.

The circuit illustrated in Figure 18 avoids the need for tightly matched resistors with the use of an active integrator circuit. In this circuit, the output of the voltage reference provides the input drive for the integrator. The integrator, to maintain circuit equilibrium, adjusts its output to establish the proper relationship between the reference's V_{OUT} and GND. Thus, any desired negative output voltage can be chosen by simply substituting for the appropriate reference IC. The sleep feature is maintained in the circuit with the simple addition of a PNP transistor and a 10 k Ω resistor. One caveat with this approach should be mentioned: although rail-to-rail output amplifiers work best in the application, these operational amplifiers require a finite amount (mV) of headroom when required to provide any load current. The choice for the circuit's negative supply should take this issue into account.

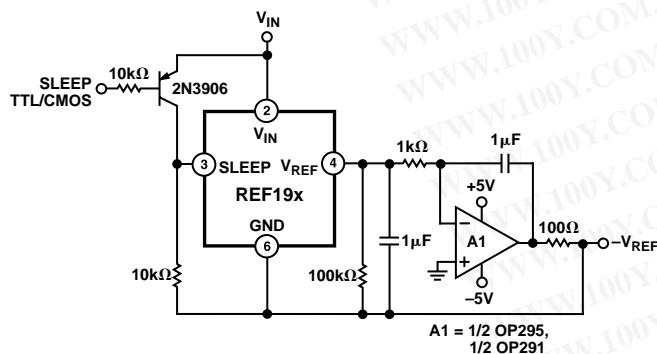


Figure 18. A Negative Precision Voltage Reference Uses No Precision Resistors

勝特力材料 886-3-5753170
 勝特力电子(上海) 86-21-54151736
 勝特力电子(深圳) 86-755-83298787
[Http://www.100y.com.tw](http://www.100y.com.tw)

Stacking Reference ICs for Arbitrary Outputs

Some applications may require two reference voltage sources that are a combined sum of standard outputs. The circuit of Figure 19 shows how this “stacked output” reference can be implemented.

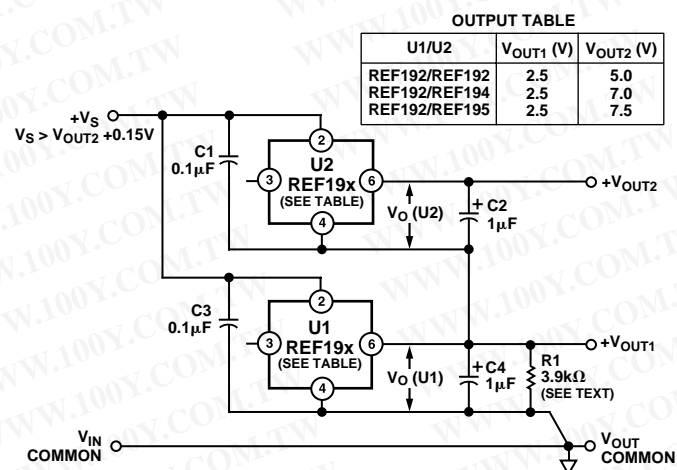


Figure 19. Stacking Voltage References with the REF19x

Two reference ICs are used, fed from a common unregulated input, V_S . The outputs of the individual ICs are simply connected in series as shown, which provides two output voltages, V_{OUT1} and V_{OUT2} . V_{OUT1} is the terminal voltage of U1, while V_{OUT2} is the sum of this voltage and the terminal voltage of U2. U1 and U2 are simply chosen for the two voltages that supply the required outputs (see table). If, for example, both U1 and U2 are REF192s, the two outputs are 2.5 V and 5.0 V.

While this concept is simple, some cautions are in order. Since the lower reference circuit must sink a small bias current from U2 (50 μ A–100 μ A), plus the base current from the series PNP output transistor in U2, either the external load of U1 or R1 must provide a path for this current. If the U1 minimum load is not well defined, resistor R1 should be used, set to a value that will conservatively pass 600 μ A of current with the applicable V_{OUT1} across it. Note that the two U1 and U2 reference circuits are locally treated as macrocells, each having its own bypasses at input and output for best stability. Both U1 and U2 in this circuit can source dc currents up to their full rating. The minimum input voltage, V_S , is determined by the sum of the outputs, V_{OUT2} , plus the dropout voltage of U2.

A related variation on stacking two three-terminal references is shown in Figure 19, where U1, a REF192, is stacked with a two-terminal reference diode such as the AD589. Like the three-terminal stacked reference above, this circuit provides two outputs, V_{OUT1} and V_{OUT2} , which are the individual terminal voltages of D1 and U1 respectively. Here this is 1.235 and 2.5, which provides a V_{OUT2} of 3.735 V. When using two-terminal reference diodes such as D1, the rated minimum and maximum device currents must be observed and the maximum load current from V_{OUT1} can be no greater than the current set up by R1 and $V_{O(U1)}$. In the case with $V_{O(U1)}$ equal to 2.5 V, R1 provides a 500 μ A bias to D1, so the maximum load current available at V_{OUT1} is 450 μ A or less.

REF19x Series

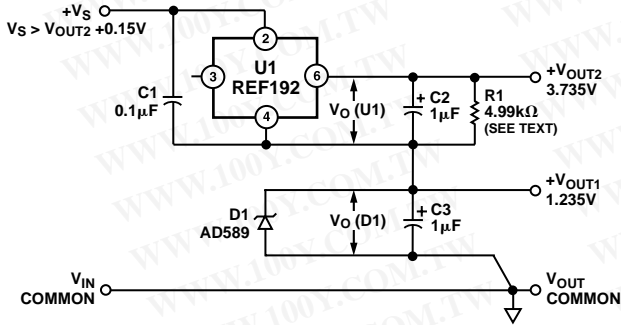
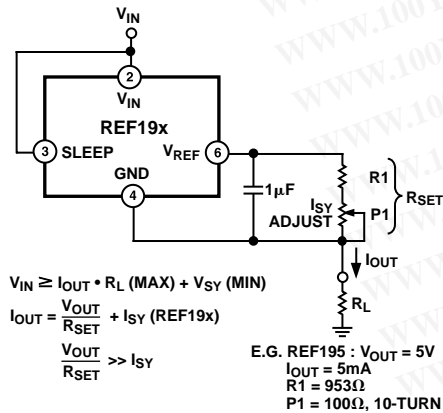


Figure 20. Stacking Voltage References with the REF19x

A Precision Current Source

Many times, in low power applications, the need arises for a precision current source that can operate on low supply voltages. As shown in Figure 21, any one of the devices in the REF19x family of references can be configured as a precision current source. The circuit configuration illustrated is a floating current source with a grounded load. The reference's output voltage is bootstrapped across R_{SET} , which sets the output current into the load. With this configuration, circuit precision is maintained for load currents in the range from the reference's supply current (typically, 30 μ A) to approximately 30 mA. The low dropout voltage of these devices maximizes the current source's output voltage compliance without excess headroom.



$$V_{IN} \geq I_{OUT} \cdot R_L (\text{MAX}) + V_{SY} (\text{MIN})$$

$$I_{OUT} = \frac{V_{OUT}}{R_{SET}} + I_{SY} (\text{REF19x})$$

$$\frac{V_{OUT}}{R_{SET}} \gg I_{SY}$$

E.G. REF195 : $V_{OUT} = 5V$
 $I_{OUT} = 5mA$
 $R1 = 953\Omega$
 $P1 = 100\Omega, 10\text{-TURN}$

Figure 21. A Low Dropout, Precision Current Source

The circuit's governing equations are:

$$V_{IN} = I_{OUT} \times R_L(\text{max}) + V_{SY}(\text{min}, \text{REF19x})$$

$$I_{OUT} = \frac{V_{OUT}}{R_{SET}} + I_{SY}(\text{REF19x})$$

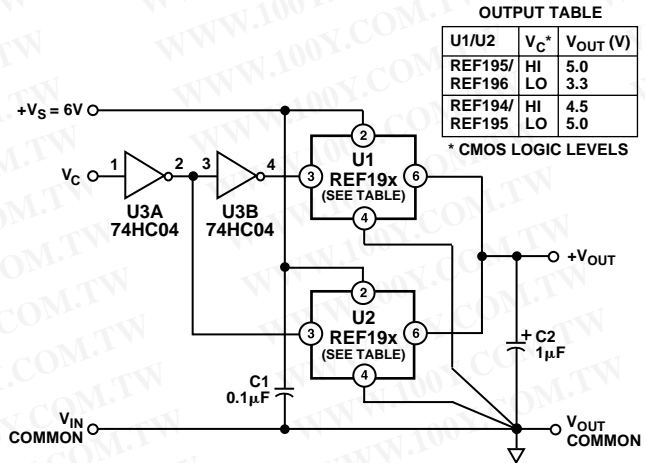
$$\frac{V_{OUT}}{R_{SET}} \gg I_{SY}(\text{REF19x})$$

Switched Output 5 V/3.3 V Reference

Applications often require digital control of reference voltages, selecting between one stable voltage and a second. With the sleep feature inherent to the REF19x series, switched output reference configurations are easily implemented with relatively little additional hardware.

The circuit of Figure 22 illustrates the general technique, which takes advantage of the output "wire-OR" capability of the REF19x device family. When OFF, a REF19x device is effectively an open circuit at the output node with respect to the power supply. When ON, a REF19x device can source current up to its current rating, but sink only a few μ A (essentially just the relatively low current of the internal output scaling divider). As a result, for two devices wired together at their common outputs, the output voltage is simply that of the ON device. The OFF state device will draw a small standby current of 15 μ A (max), but otherwise will not interfere with operation of the ON device, which can operate to its full current rating. Note that the two devices in the circuit conveniently share both input and output capacitors, and with CMOS logic drive, it is power efficient.

Using dissimilar REF19x series devices with this configuration allows logic selection between the U1/U2 specified terminal voltages. For example, with U1 (a REF195) and U2 (a REF196), as noted in the table, changing the CMOS compatible V_C logic control voltage from HI to LO selects between a nominal output of 5.000 V and 3.300 V and vice versa. Other REF19x family units can also be used for U1/U2, with similar operation in a logic sense, but with outputs as per the individual paired devices (see table, again). Of course, the exact output voltage tolerance, drift and overall quality of the reference voltage will be consistent with the grade of individual U1 and U2 devices.



OUTPUT TABLE		
U1/U2	V_C^*	V_{OUT} (V)
REF195/	HI	5.0
REF196	LO	3.3
REF194/	HI	4.5
REF195	LO	5.0

* CMOS LOGIC LEVELS

Figure 22. Switched Output Reference

勝特力材料 886-3-5753170
 勝特力电子(上海) 86-21-54151736
 勝特力电子(深圳) 86-755-83298787
[Http://www.100y.com.tw](http://www.100y.com.tw)

There is one application caveat that should be understood about this circuit, which comes about due to the wire-OR nature. Since U1 and U2 can only *source* current effectively, negative going output voltage changes, which require the *sinking* of current, will necessarily take longer than positive going changes. In practice, this means that the circuit is quite fast when undergoing a transition from 3.3 to 5 V, but the transition from 5 to 3.3 V will take longer. Exactly how much longer will be a function of the load resistance, R_L , seen at the output and the typical 1 μF value of C2. In general, a conservative transition time here will be on the order of several milliseconds for load resistances in the range of 100 Ω –1 k Ω . Note that for highest accuracy at the new output voltage, several time constants should be allowed (>7.6 time constants for <1/2 LSB error @ 10 bits, for example).

Kelvin Connections

In many portable instrumentation applications where PC board cost and area go hand-in-hand, circuit interconnects are very often of dimensionally minimum width. These narrow lines can cause large voltage drops if the voltage reference is required to provide load currents to various functions. In fact, a circuit's interconnects can exhibit a typical line resistance of 0.45 m Ω /square (1 oz. Cu, for example). In those applications where these devices are configured as low dropout voltage regulators, these wiring voltage drops can become a large source of error. To circumvent this problem, force and sense connections can be made to the reference through the use of an operational amplifier, as shown in Figure 23. This method provides a means by which the effects of wiring resistance voltage drops can be eliminated. Load currents flowing through wiring resistance produce an I-R error ($I_{\text{LOAD}} \times R_{\text{WIRE}}$) at the load. However, the Kelvin connection overcomes the problem by including the wiring

resistance within the forcing loop of the op amp. Since the op amp senses the load voltage, op amp loop control forces the output to compensate for the wiring error and to produce the correct voltage at the load. Depending on the reference device chosen, operational amplifiers that can be used in this application are the OP295, the OP291 and the OP183/OP283.

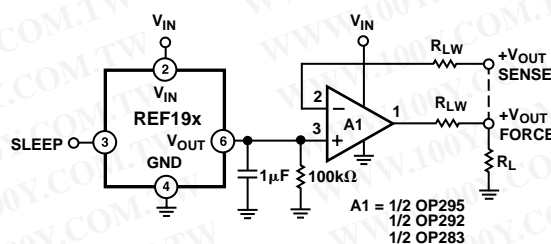


Figure 23. A Low Dropout, Kelvin Connected Voltage Reference

A Fail-Safe 5 V Reference

Some critical applications require a reference voltage to be maintained constant, even with a loss of primary power. The low standby power of the REF19x series and the switched output capability allow a “fail-safe” reference configuration to be implemented rather easily. This reference maintains a tight output voltage tolerance for either a primary power source (ac line derived) or a standby (battery derived) power source, automatically switching between the two as the power conditions change.

The circuit in Figure 24 illustrates the concept, which borrows from the switched output idea of Figure 21, again using the REF19x device family output “wire-OR” capability. In this case, since a constant 5 V reference voltage is desired for all

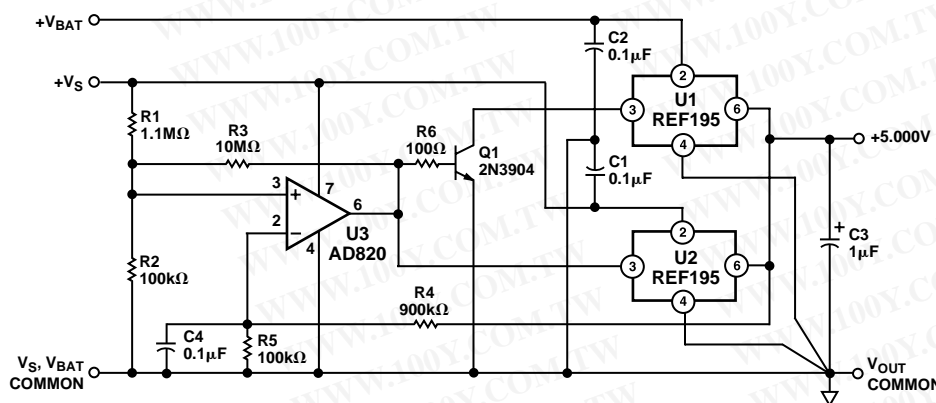


Figure 24. A Fail-Safe 5 V Reference

勝特力材料 886-3-5753170
 勝特力电子(上海) 86-21-54151736
 勝特力电子(深圳) 86-755-83298787
[Http://www.100y.com.tw](http://www.100y.com.tw)

REF19x Series

conditions, two REF195 devices are used for U1 and U2, with their ON/OFF switching controlled by the presence or absence of the primary dc supply source, V_S . V_{BAT} is a 6 V battery backup source that supplies power to the load only when V_S fails. For normal (V_S present) power conditions, V_{BAT} sees only the 15 μA (max) standby current drain of U1 in its OFF state.

In operation, it is assumed that for all conditions either U1 or U2 is ON and a 5 V reference output is available. With this voltage constant, a scaled down version is applied to the comparator IC U3, providing a fixed 0.5 V input to the (-) input for all power conditions. The R1-R2 divider provides a signal to the U3 (+) input proportional to V_S , which switches U3 and U1/U2 dependent upon the absolute level of V_S . Op amp U3 is configured here as a comparator with hysteresis, which provides for clean, noise free output switching. This hysteresis is important to eliminate rapid switching at the threshold due to V_S ripple. Further, the device chosen is the AD820, a rail-rail output device, which provides HI and LO output states within a few mV of V_S and ground for accurate thresholds and compatible drive for U2 for all V_S conditions. R3 provides positive feedback for circuit hysteresis, changing the threshold at the (+) input as a function of U3's output.

For V_S levels lower than the LOWER threshold, U3's output is low, thus U2 and Q1 are OFF, while U1 is ON. For V_S levels higher than the UPPER threshold, the situation reverses, with U1 OFF and both U2 and Q1 ON. In the interest of battery power conservation, all of the comparison switching circuitry is powered from V_S and is so arranged that when V_S fails the default output comes from U1.

For the R1-R3 values as shown, the LOWER/UPPER V_S switching thresholds are approximately 5.5 V and 6 V, respectively. These can obviously be changed to suit other V_S supplies, as can the REF19x devices used for U1 and U2, over a range of 2.5 V to 5 V of output. U3 can operate down to a V_S of 3.3 V, which is generally compatible with all family devices.

A Low Power, Strain Gage Circuit

As shown in Figure 25, the REF19x family of references can be used in conjunction with low supply voltage operational amplifiers, such as the OP492 and the OP283, in a self-contained strain gage circuit. In this circuit, the REF195 was used as the core of this low power, strain gage circuit. Other references can be easily accommodated by changing circuit element values. The references play a dual role as the voltage regulator to provide the supply voltage requirements of the strain gage and the operational amplifiers as well as a precision voltage reference for the current source used to stimulate the bridge. A distinct feature of the circuit is that it can be remotely controlled ON or OFF by digital means via the SLEEP pin.

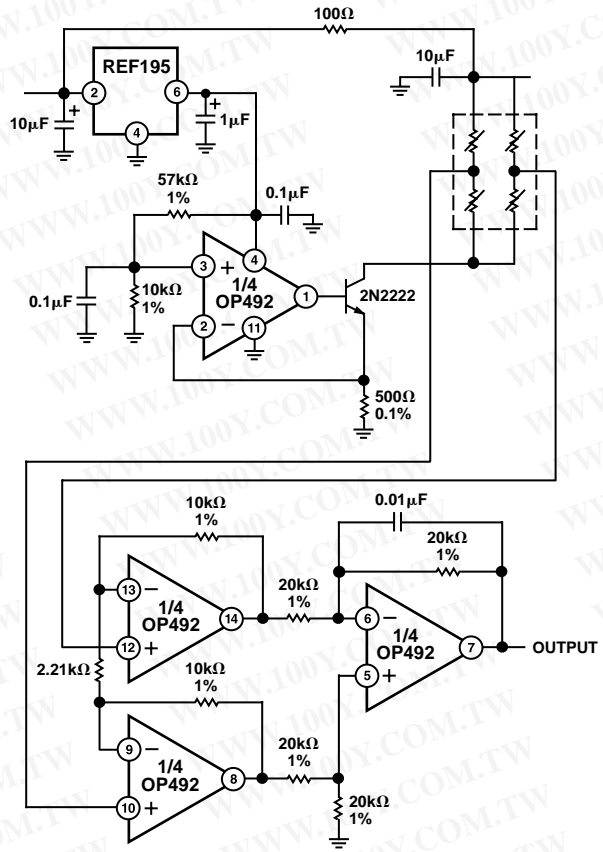


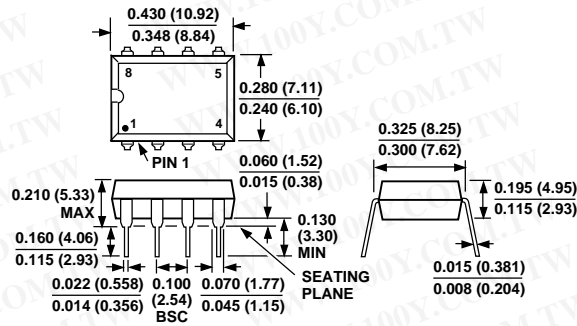
Figure 25. A Low Power, Strain Gage Circuit

勝特力材料 886-3-5753170
 勝特力电子(上海) 86-21-54151736
 勝特力电子(深圳) 86-755-83298787
 Http://www.100y.com.tw

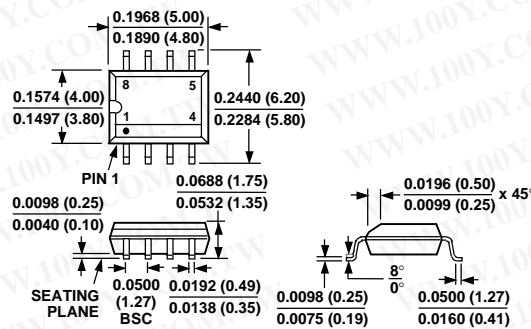
OUTLINE DIMENSIONS

Dimensions shown in inches and (mm).

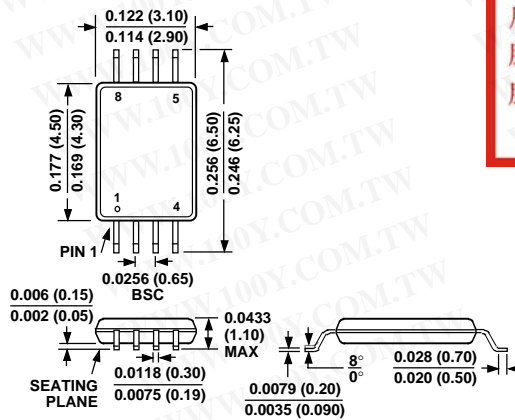
8-Lead Plastic DIP (P Suffix)
(N-8)



8-Lead Narrow Body SO (S Suffix)
(SO-8)



8-Lead TSSOP (RU Suffix)
(RU-8)



勝特力材料 886-3-5753170
 勝特力电子(上海) 86-21-54151736
 勝特力电子(深圳) 86-755-83298787
[Http://www.100y.com.tw](http://www.100y.com.tw)