



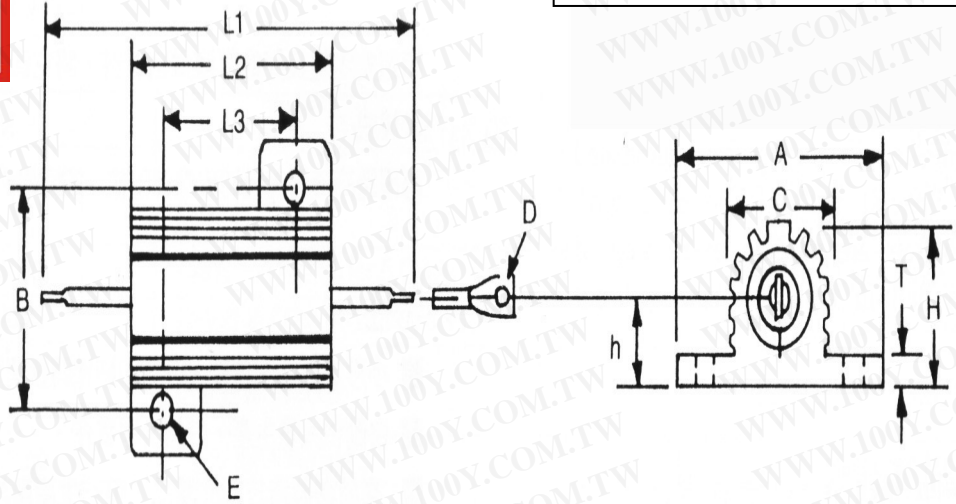
GOLDEN ALUMINUM HOUSED WIREWOUND RESISTORS

黃金鋁殼繞線電阻

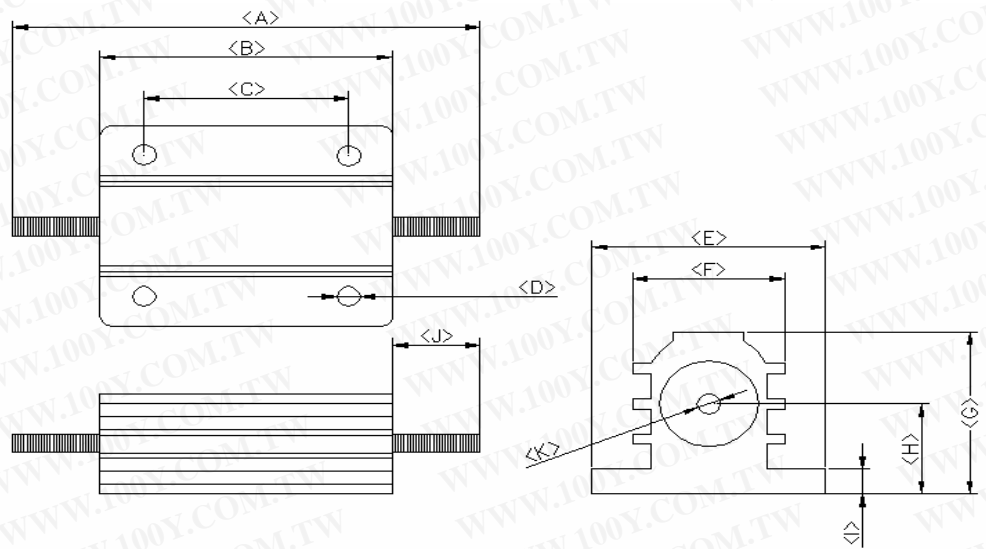
勝特力材料 886-3-5753170
勝特力电子(上海) 86-21-54151736
勝特力电子(深圳) 86-755-83298787
[Http://www.100y.com.tw](http://www.100y.com.tw)

DIMENSIONS : 5 ~ 250 W

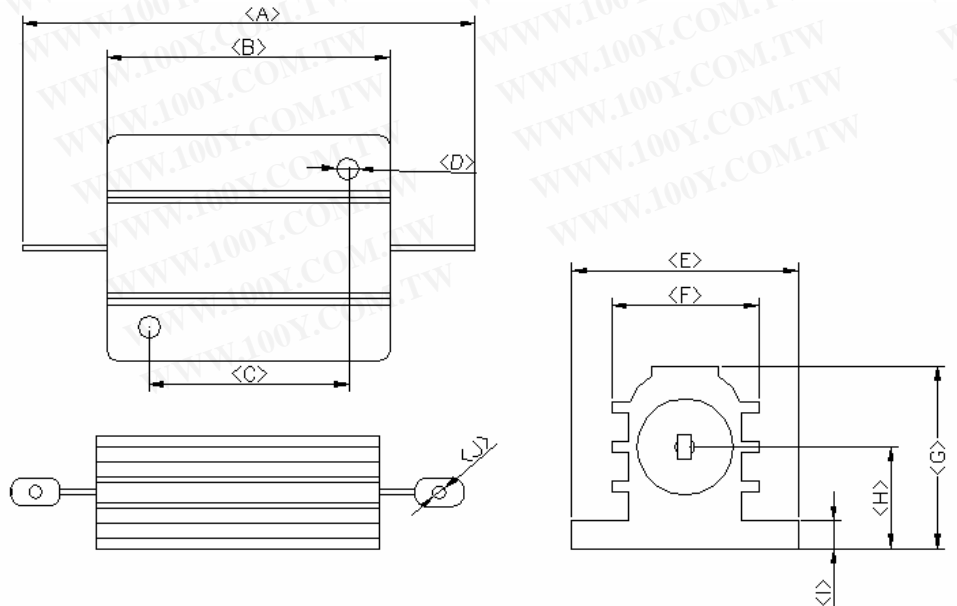
A Type



B Type



C Type



POWER RATING	DIMENSIONS (MM)											Resistance range
	L1±1	L2±1	L3±0.8	A±1	C±1	D±0.1	E±0.3	H±1	h±1	T±0.2	TYPE	
RHA-5W	25	15.3	11.3	16.5	8.5	2.2	2.4	8.2	2.2	1.6	A	0.01~5KΩ
RHA-10W	29	19	14.3	20.4	11	2.2	2	10	5	2	A	0.01~10KΩ
RHA-25W	53	27.5	18.6	27	14.9	2.2	3.2	14.9	6.5	2.2	A	0.01~25KΩ
RHA-50W	70	51	39.2	29.2	16	2.2	3.2	15.5	7	2	A	0.01~50KΩ

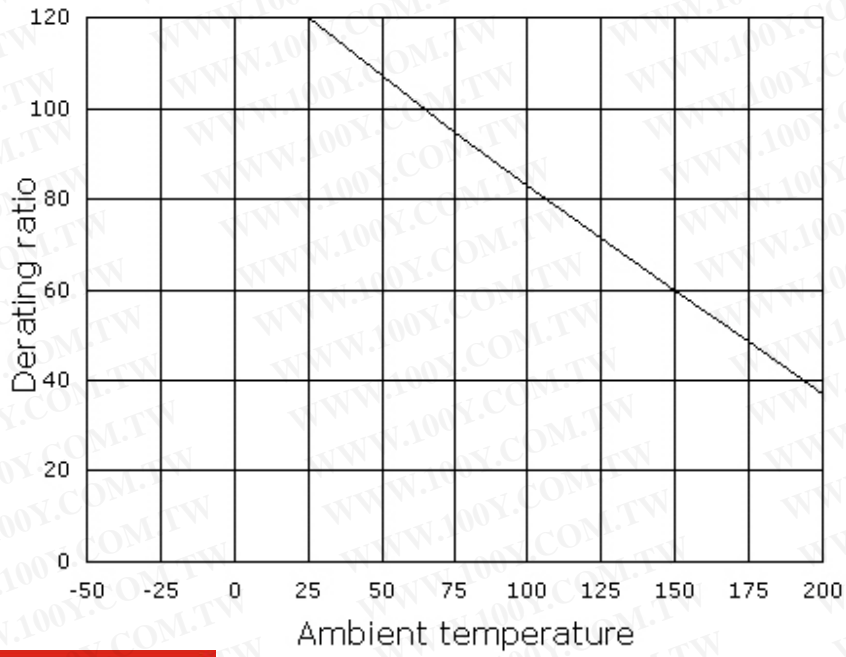
POWER RATING	DIMENSIONS (mm)												Resistance range
	A±1	B±1	C±0.8	D±0.1	E±0.1	F±0.1	G±1	H±0.2	I±0.3	J±02.2.1	K±0.1	TYPE	
RHA-85W	95	75	38	3.4	29.3	18.8	15.5	7	2.2	2.2	-	B	0.01Ω~85KΩ
RHAS-100W	96	66	35	4.5	47	27	25	13	3.2	25	M5	C	0.01Ω~100KΩ
RHA-100W	122	90	70	5.2	72	46.5	45	20	5	25	M5	C	0.01Ω~100KΩ
RHA-250W	178	114	75	5	77	57	55.5	25	5	32	M6	C	0.01Ω~100KΩ

ELECTRICAL CHARACTERISTICS

CHARACTERISTICS	LIMITS
Resistance tolerance	±1% (F) ±5% (J) ±2% (G) ±10% (K)
Temperatuer coefficient	R < 0.05Ω ±200ppm/ 0.05Ω R < 0.1Ω ±100ppm/ 0.1Ω R < 400Ω ±50ppm/ 400Ω R ±30ppm/
Power rating load	R/R ±(1% + 0.05Ω) (temperature) 350 max
Short-time overload	$V = \sqrt{W \cdot R \cdot 5}$ R/R ±(0.5% ± 0.05Ω)
Insulation resistance	DC500V 100MΩ min
Dielectric withstanding voltage	R/R ±(0.2% + 0.05Ω) AC 2000V 1 minute

勝特力材料 886-3-5753170
 勝特力电子(上海) 86-21-54151736
 勝特力电子(深圳) 86-755-83298787
[Http://www.100y.com.tw](http://www.100y.com.tw)

Power Derating Curve



勝特力材料 886-3-5753170
勝特力电子(上海) 86-21-54151736
勝特力电子(深圳) 86-755-83298787
[Http://www.100y.com.tw](http://www.100y.com.tw)

Temperature Rise

