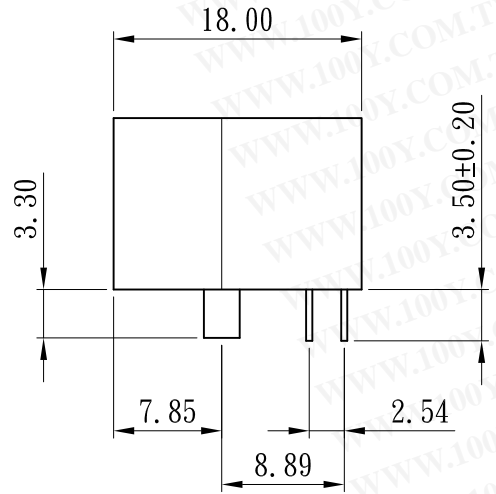
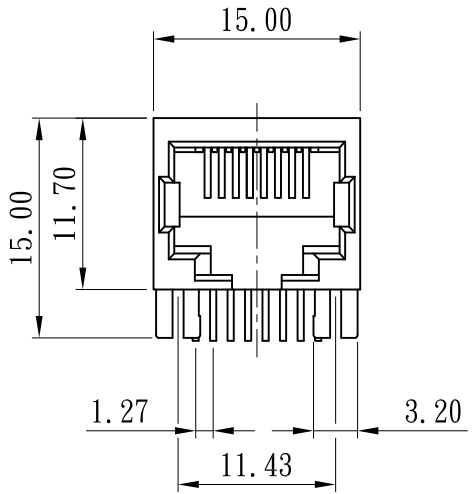


REV.	DESCRIPTION	APPROVED	DATE



NOTES:

ELECTRICAL:

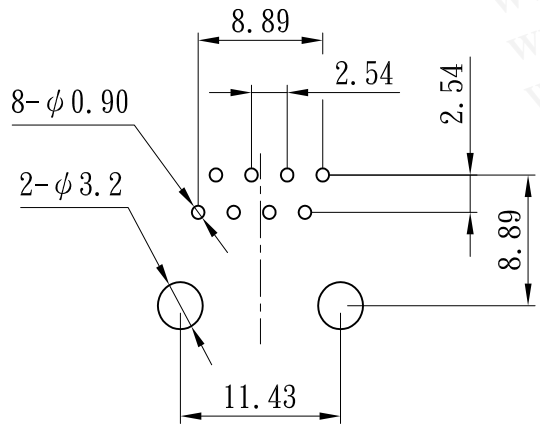
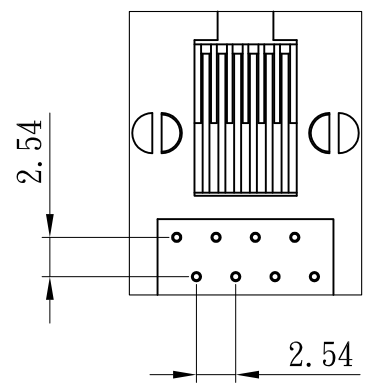
1. VOLTAGE RATING: 125VAC RMS.
2. CURRENT RATING: 1.5AMP.
3. CONTACT RESISTANCE: 42MILLIOHMS MAX.
4. INSULATION RESISTANCE: 1000 MEGOHMS MIN @ 500 V
5. DIELECTRIC STRENGTH: 1000 VDC RMS 60HZ. 1MIN.

MECHANICAL:

1. HOUSING MATERIAL: NYLON 66, UL94V-0.
2. CONTACT MATERIAL: PHOSPHOR BRONZE ϕ 0.46mm.
3. PLATING: GOLD PLATING OVER NICKEL.
4. OPERATING LIFE: 250 CYCLES MIN.
5. PCB RETENTION PRE-SOLDER: 1 LB MIN.
6. PCB RETENTION POST-SOLDER: 10 LBS MIN.

ENVIRONMENTAL:

1. STORAGE: -40°C TO 85°C.
2. OPERATION: 0°C TO 70°C.



RECOMMENDED PCB LAYOUT

勝特力材料 886-3-5753170
 勝特力电子(上海) 86-21-54151736
 勝特力电子(深圳) 86-755-83298787
[Http://www.100y.com.tw](http://www.100y.com.tw)

TOLERANCE UNSPECIFIED		e-Conn ELECTORNIC CO., LTD	
.	±0.25		
*	±0.20	TITLE: Rj45 CONNECTOR	
**	±0.15	SIZE: A4	UNIT: mm
***	±0.10	PART NO.:	
ANGLE	±1.00°	SCALE:	PROJECTION
DRAWN BY:		REV.: A	
CHECKED BY:		DWG NO.	SHEET: 1/1
APPROVED BY:			