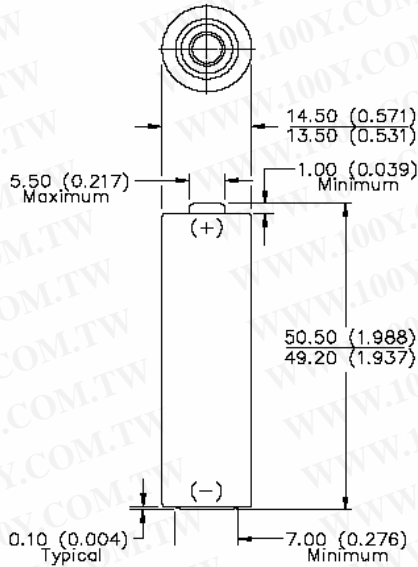


## PHYSICAL SPECIFICATIONS



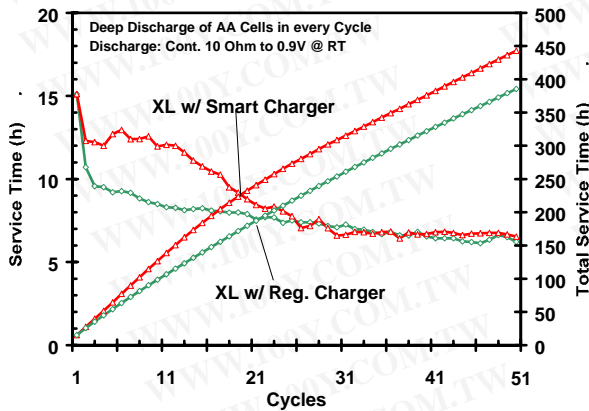
IEC Standard Dimensions shown: mm (inches)

## ELECTRICAL SPECIFICATIONS

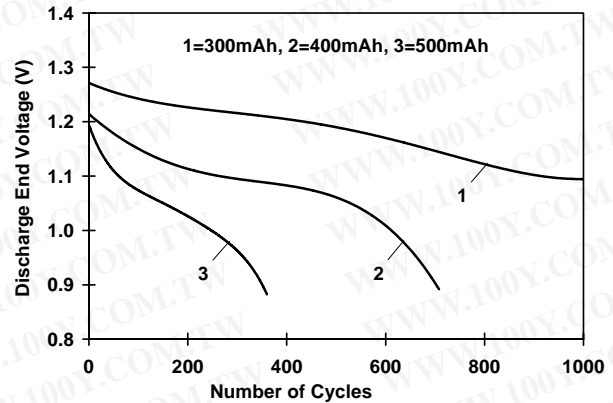
Chemical System:	Alkaline Rechargeable Zn/MnO <sub>2</sub> (No added Mercury or Cadmium)
Designation:	IEC-LR6, ANSI-15A
Nominal Voltage:	1.5V
Internal Resistance:	150 milliohms (Fresh)
Operating Temp.:	-20°C to +60°C
Initial Capacity:	2000 mAh (to 0.8V) Rated at 30mA drain
Average Weight:	22 grams
Volume:	8.3 cm <sup>3</sup>
Shelf Life:	7 years (80% of rated Capacity)
Discharge Cut-off:	0.8V
Max. Charge Volts:	1.65V +/- 0.05V
Max. Charge Amps:	1A
Cycle Life <sup>1</sup> :	50 to 500

<sup>1</sup>Cycle Life strongly dependent on factors such as rate of discharge, end-point voltage and depth of discharge.

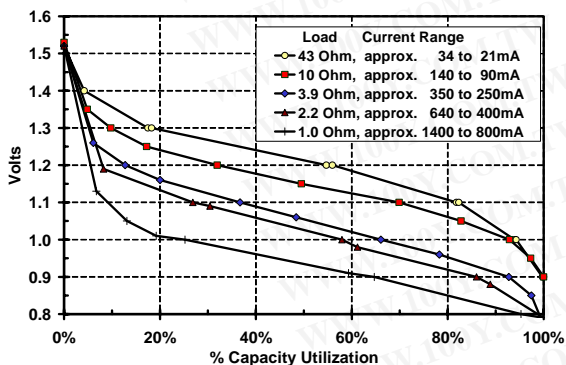
## TYPICAL CYCLE LIFE CHARACTERISTICS Full Depth of Discharge



## TYPICAL CYCLE LIFE CHARACTERISTICS Shallow Depth of Discharge

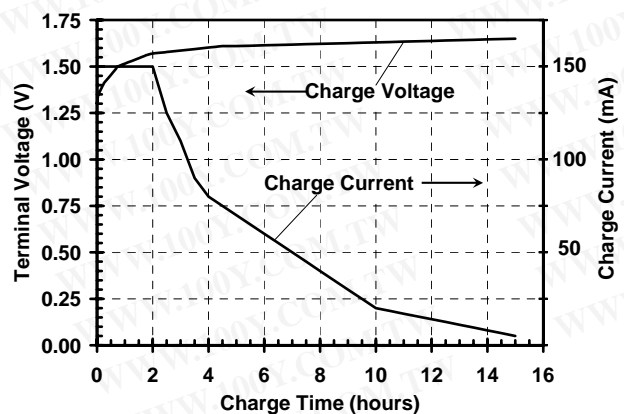


## TYPICAL DISCHARGE CHARACTERISTICS Effect of Current Rate



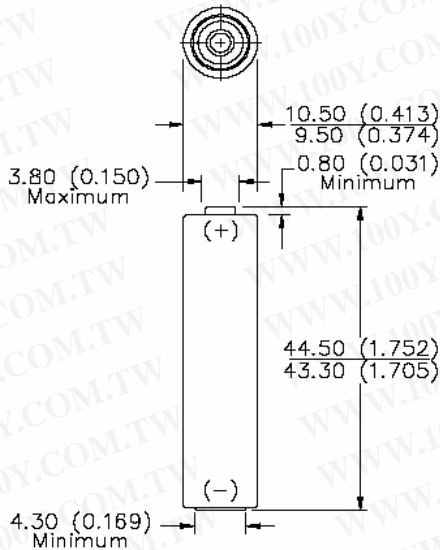
100% Capacity: 43Ω=2Ah, 10Ω=1.7Ah, 3.9Ω=1.4Ah, 2.2Ω=1.2Ah, 1Ω=0.9Ah

## TYPICAL CHARGE CHARACTERISTICS 1.65V Taper Charge



Performance Information is typical and does not constitute a warranty. Data subject to change.

### PHYSICAL SPECIFICATIONS



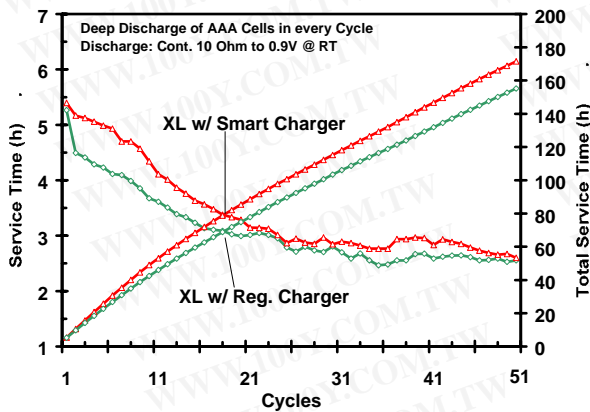
IEC Standard Dimensions shown: mm (inches)

### ELECTRICAL SPECIFICATIONS

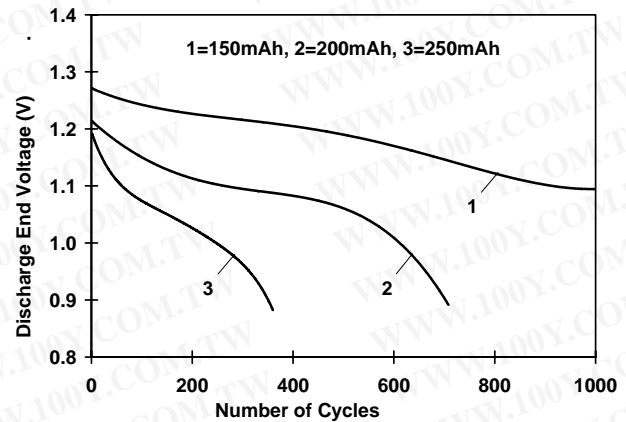
Chemical System:	Alkaline Rechargeable Zn/MnO <sub>2</sub> (No added Mercury or Cadmium)
Designation:	IEC-LR03, ANSI-24A
Nominal Voltage:	1.5V
Internal Resistance:	200 milliohms (Fresh)
Operating Temp.:	-20°C to +60°C
Initial Capacity:	800 mAh (to 0.8V) Rated at 30mA drain
Average Weight:	11 grams
Volume:	3.8 cm <sup>3</sup>
Shelf Life:	7 years (80% of rated Capacity)
Discharge Cut-off:	0.8V
Max. Charge Volts:	1.65V +/- 0.05V
Max. Charge Amps:	1A
Cycle Life <sup>1</sup> :	50 to 500

<sup>1</sup>Cycle Life strongly dependent on factors such as rate of discharge, end-point voltage and depth of discharge.

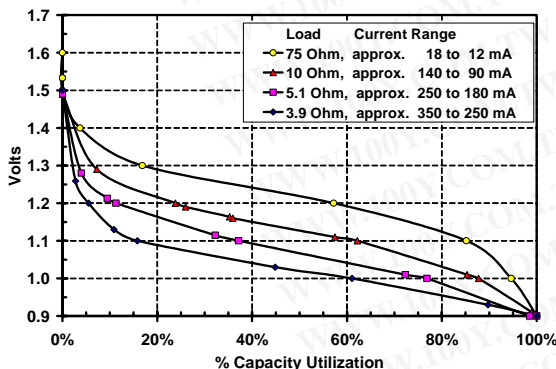
### TYPICAL CYCLE LIFE CHARACTERISTICS Full Depth of Discharge



### TYPICAL CYCLE LIFE CHARACTERISTICS Shallow Depth of Discharge

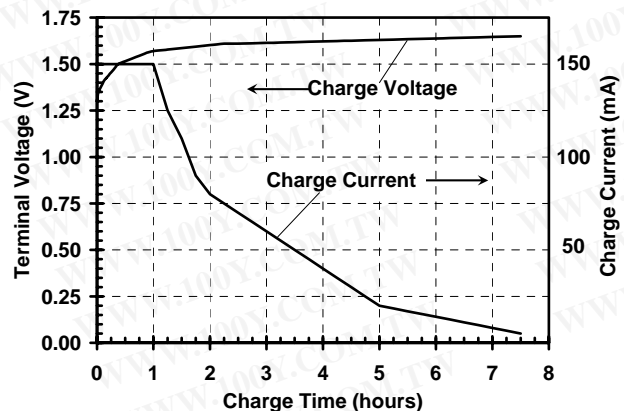


### TYPICAL DISCHARGE CHARACTERISTICS Effect of Current Rate



100% Capacity: 75Ω=0.8Ah, 10Ω=0.75Ah,  
 5.1Ω=0.65Ah, 3.9Ω=0.6Ah

### TYPICAL CHARGE CHARACTERISTICS 1.65V Taper Charge



Performance Information is typical and does not constitute a warranty. Data subject to change.