

SANYO

No.5395

Announcement of the Discontinuation of Thick-film Hybrid ICs for Motor Drivers (Affected Products: Products listed below)

Thank you for your continued use of Sanyo semiconductor products. This notice announces the discontinuation of thick-film hybrid IC products for motor drivers listed in the table below.

Please take note of this discontinuation.

Memorandum

1. Affected Products

STK6722H/H-Z	STK6966
STK6722H-O	STK6972
STK6723H-Z/HZST	STK6981B
STK6732C	STK6982H
STK6742C	STK65040MK2D
STK6942	STK65041MK2H/MK3H
STK6962C/CLM	STK65042MK2
STK6962H	STK65043MK3
STK6965	

勝特力材料 886-3-5753170
 勝特力电子(上海) 86-21-54151736
 勝特力电子(深圳) 86-755-83298787
[Http://www.100y.com.tw](http://www.100y.com.tw)

2. Reason for Discontinuation.

To restructure the product line of thick-film hybrid ICs.

3. Date of implementation

February 1996

Please feel free to contact your Sanyo sales representative to clarify any points that remain unclear.

SANYO

S T K 6 7 2 2 H

Thick Film Hybrid IC

Function

Stepping motor driver

Applications

Printers, facsimile system, floppy disks

Feature

Constant-current chopper drive (Separate excitation, with input inverters built in)

Maximum Ratings at Ta=25°C

		unit
Supply Voltage	V_{CCmax} Operating voltage at quiescent mode	50 V
Phase Current	I_{OHmax} 0.5sec, 1 pulse	2.1 A
Storage Temperature	Tstg	-40to+125 °C
Junction Temperature	Tjmax	150 °C
Operating Case Temperature	Tcmax	105 °C

Allowable Operating Conditions at Ta=25°C

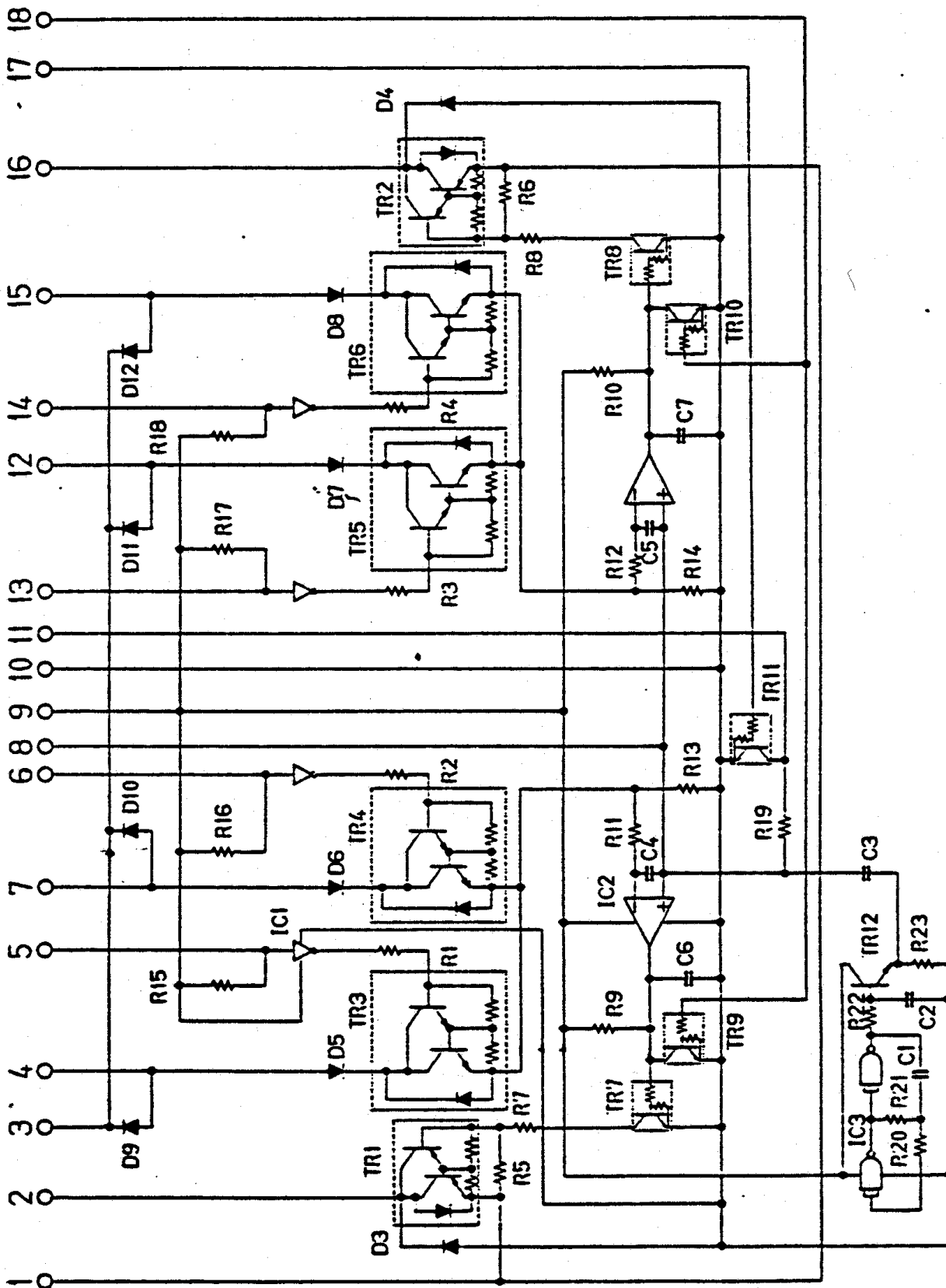
		unit
Supply Voltage	V_{CCmax}	22to45 V
Phase Current	I_{OHmax} Duty 50%	1.5 A

Electrical Characteristics at Ta=25°C, $V_{CC1}=36V, V_{CC2}=5V$

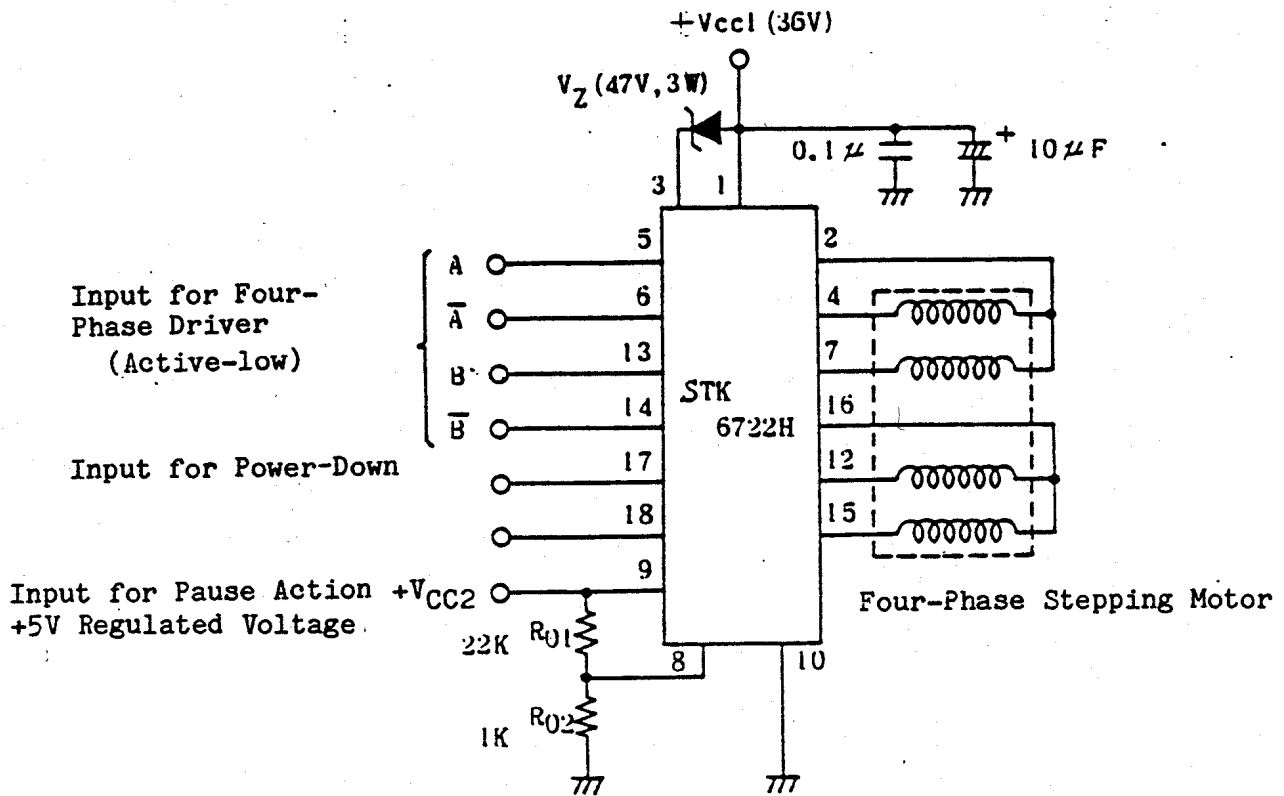
		min	typ	max	unit
Output Saturation Voltage1	Vst-1 RL=12ohms, Vin=GND, 1-2, 1-16		1.2	1.6	V
Output Saturation Voltage2	Vst-2 RL=21ohms, Vin=GND, 4, 7, 12, 15-10		2.5	3.0	V
Output Current (Average)1	Io-1 Load: R=3.5ohms, L=3.8mH, Vin=GND, per phase	0.98	1.05	1.12	A
Output Current (Average)2 at Power-Down Mode	Io-2 Load: L=3.8mH, R=3.5ohms, per phase, Vin=GND, power-down input voltage Vpd 2.0V ≤ Vpd ≤ 5.0V (pin 17)	0.45	0.52	0.60	A
Current at Pause Mode	Icco 2.0V ≤ Vs ≤ 5.0V, Vin=GND, Vs: pin 18 input pause voltage	10	15	20	mA
OSC Frequency	fc With Rpd=680ohms	20	24	28	kHz
Diode Forward Voltage1	Vdf-1 If=0.3A		1.5	1.8	V
Diode Forward Voltage2	Vdf-2 If=0.5A		1.2	1.8	V

Note1. For power supply, use a voltage regulator.

Equivalent Circuit



Application Circuit



Cautions

1. It is inhibited to bring the input signals to "L" level simultaneously.
2. The external zener diode must be selected according to the operating conditions.

$$V_Z < 100 - V_{CC1 \max}$$

Case Outline

