

With fuseholder 5x20 mm, with or without voltage selector (step switch)

Plug removal necessary for fuse replacement

new



Snap-in mounting
from front side
without voltage selector

C14



70° C



Screw-on mounting
from rear side
without voltage selector



Screw-on mounting
from front side
with voltage selector

胜特力材料 886-3-5753170
胜特力电子(上海) 86-21-54151736
胜特力电子(深圳) 86-755-83298787
[Http://www.100y.com.tw](http://www.100y.com.tw)



Description

- Panel Mount:
- Screw-on version from front or rear side, snap-in version from front side
- 4 Functions:
 - Inlet Protection class I, Fuseholder for fuse-links 5 x 20 mm 1- or 2-pole, with or without voltage selector (step switch), Line filter in standard and medical version
- Quick connect terminals or wires
- Alternative: version without line filter [KEA](#)

Approvals

- VDE License Number: 40004665
- UL License Number: E76360

Characteristics

- Rear side mounting for efficient cost-saving assembly
 - Suitable for assembly in metal plated plastic housings
- All single elements are already wired
- Plug removal necessary for fuse-link replacement
 - The fuse drawer "Fingergrip" can be removed by hand
 - For added safety "Extra-Safe" fuse drawers are available
 - Fuse drawer meets requirements of medical standard IEC/EN 60601-1
 - The fuseholder is accessible from the equipment front
- Qualified for use in equipment according IEC/EN 60950

Other versions on request

- Capacity CX 100 nF

Weblinks

Approvals: www.schurter.com/approvals
RoHS: <http://www.schurter.com/rohs>

Technical Data

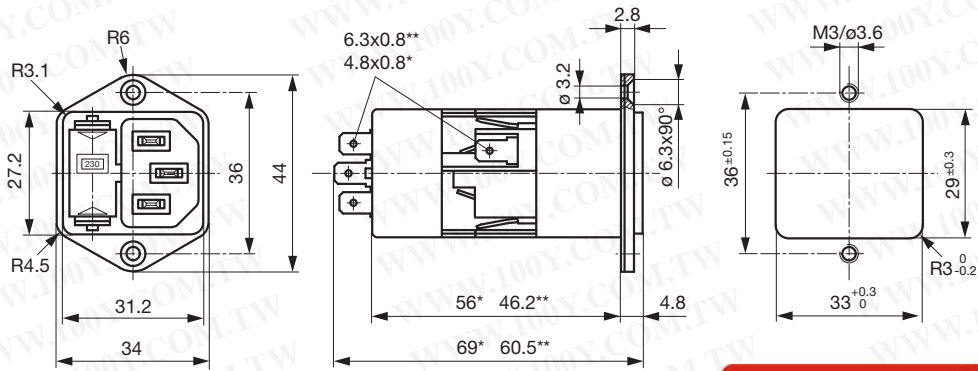
Ratings IEC	1 - 10 A @ Ta 40 °C / 250 VAC; 50 Hz
Ratings UL/CSA	1 - 10 A @ Ta 40 °C / 125 VAC; 60 Hz
Leakage Current	standard < 0.5 mA (250 V / 60 Hz) medical < 5 µA (250 V / 60 Hz)
Dielectric Strength	> 1.7 kVDC between L-N > 2.7 kVDC between L/N-PE Test voltage (2 sec)
Allowable Operation Temp.	-25 °C to 85 °C
Climatic Category	25/085/21 acc. to, IEC 60068-1
Degree of Protection	from front side IP 40 acc. to IEC 60529
Protection Class	Suitable for appliances with protection class I acc. to IEC 61140
Terminal	Quick connect terminals or wires
Panel Thickness s	Screw-on: max 8 mm Mounting screw torque max 0.5 Nm Snap-in: 0.8 mm to 3 mm
Material: Housing	Thermoplastic, black, UL 94V-0

Appliance-Inlet /-Outlet	C14 acc. to IEC/EN 60320-1, UL 498, CSA C22.2 no. 42 (for cold condition) pin-temperature 70 °C, 10 A, Protection class I
Fuseholder	1 or 2 pole, Shocksafe category PC2 acc. to IEC 60127-6, for fuse-links 5 x 20 mm
Rated Power Acceptance @ Ta 23 °C	5 x 20: 2 W (1 pole)/ 1.6 W (2-pole) per pole
Power Acceptance @ Ta > 23 °C	Admissible power acceptance at higher ambient temperature see derating curves
Voltage selector	optional, step, 3 digits
Line Filter	Standard and Medical Version, IEC 60939, IEC 60601-1, UL 1283, UL 544, EN 133 200, CSA C22.2 no. 8 Technical details
MTBF	> 1'700'000 h acc. to MIL-HB-217 F

Dimensions

Length |-----| 69 mm

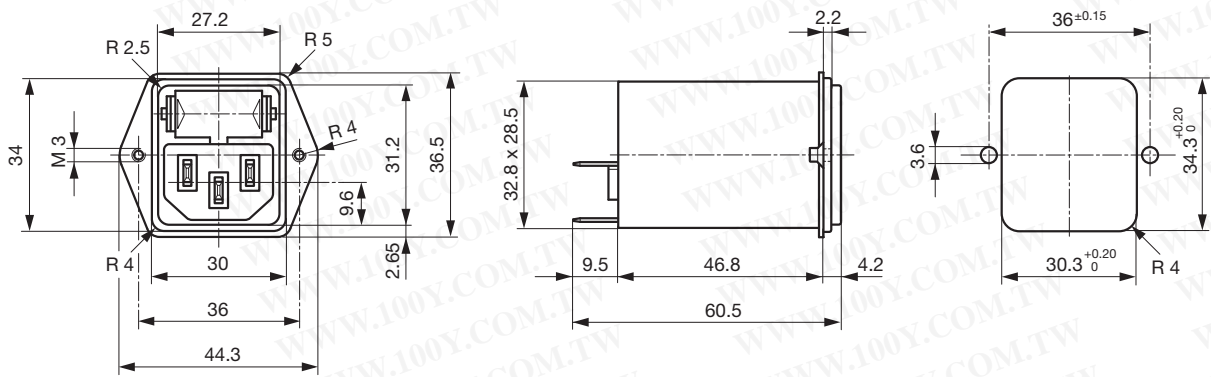
Screw-on mounting from front side



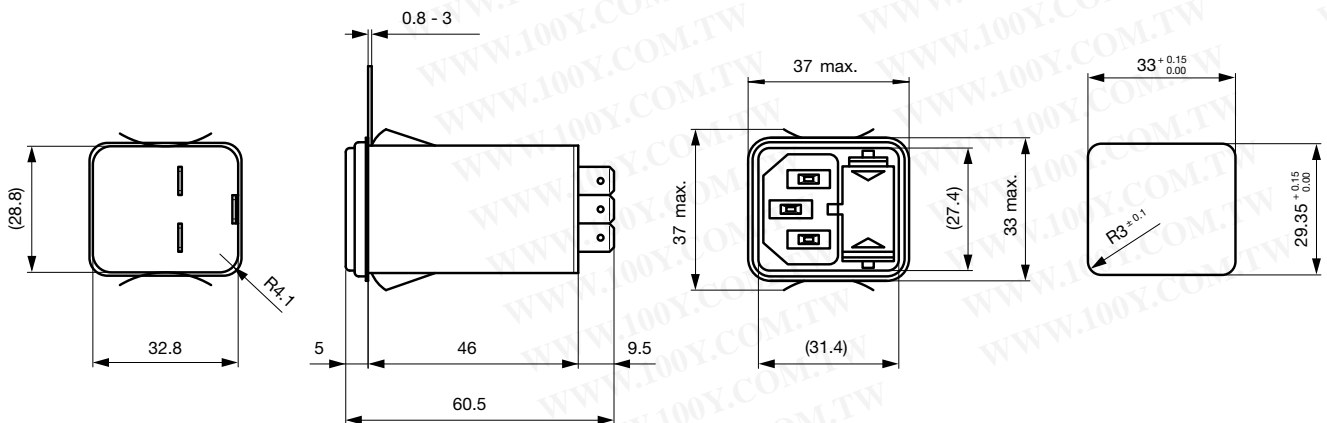
胜特力材料 886-3-5753170
 胜特力电子(上海) 86-21-54151736
 胜特力电子(深圳) 86-755-83298787
[Http://www.100y.com.tw](http://www.100y.com.tw)

* with voltage selector
 ** without voltage selector

Screw-on mounting from rear side



Snap-in mounting



Technical Data of Filter-Components

Rated Current [A]	Filter-Type	Inductances	Capacitance	Capacitance	R [MΩ]
		L [mH]	CX [nF]	CY [nF]	
1	Standard Version	2 x 10	68	2.2	-
2	Standard Version	2 x 4	68	2.2	-
4	Standard Version	2 x 1.5	68	2.2	-
6	Standard Version	2 x 0.8	68	2.2	-
10	Standard Version	2 x 0.3	68	2.2	-
1	Medical Version (M5)	2 x 10	68	-	1
2	Medical Version (M5)	2 x 4	68	-	1
4	Medical Version (M5)	2 x 1.5	68	-	1
6	Medical Version (M5)	2 x 0.8	68	-	1
6	Medical Version (M5)	2 x 1.5	68	-	1
10	Medical Version (M5)	2 x 0.3	68	-	1
10	Medical Version (M5)	2 x 1.5	68	-	1
1	Medical Version (M80)	2 x 10	68	0.47	1
2	Medical Version (M80)	2 x 4	68	0.47	1
4	Medical Version (M80)	2 x 1.5	68	0.47	1
6	Medical Version (M80)	2 x 0.8	68	0.47	1
10	Medical Version (M80)	2 x 0.3	68	0.47	1

胜特力材料 886-3-5753170
胜特力电子(上海) 86-21-54151736
胜特力电子(深圳) 86-755-83298787
[Http://www.100y.com.tw](http://www.100y.com.tw)

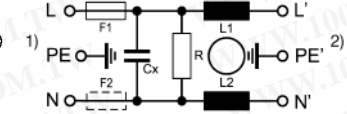
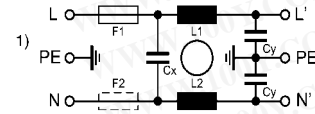
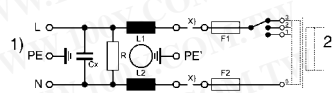
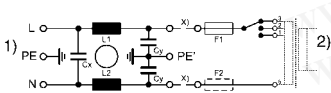
Diagrams

Standard version with fuseholder 1- or 2-pole

Medical version (M5) with fuseholder 2-pole

Standard version without voltage selector

Medical version (M5) without voltage selector



1) Line; 2) Load; x) external connection to be made by the customer

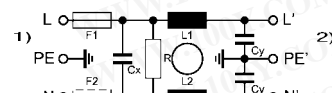
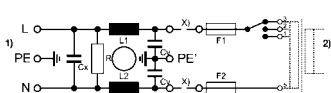
1) Line; 2) Load; x) external connection to be made by the customer

1) Line
2) Load

1) Line
2) Load

Medical version (M80) with voltage selector

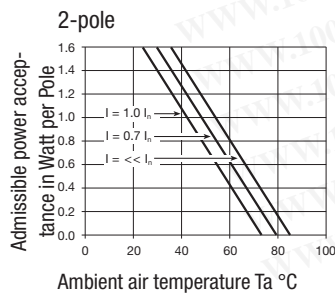
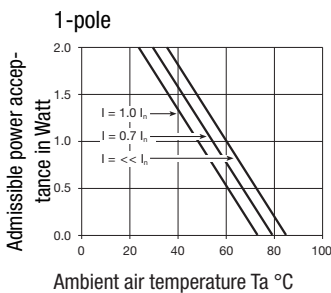
Medical version (M80) without voltage selector



1) Line; 2) Load; x) external connection to be made by customer

1) Line
2) Load

Derating curves



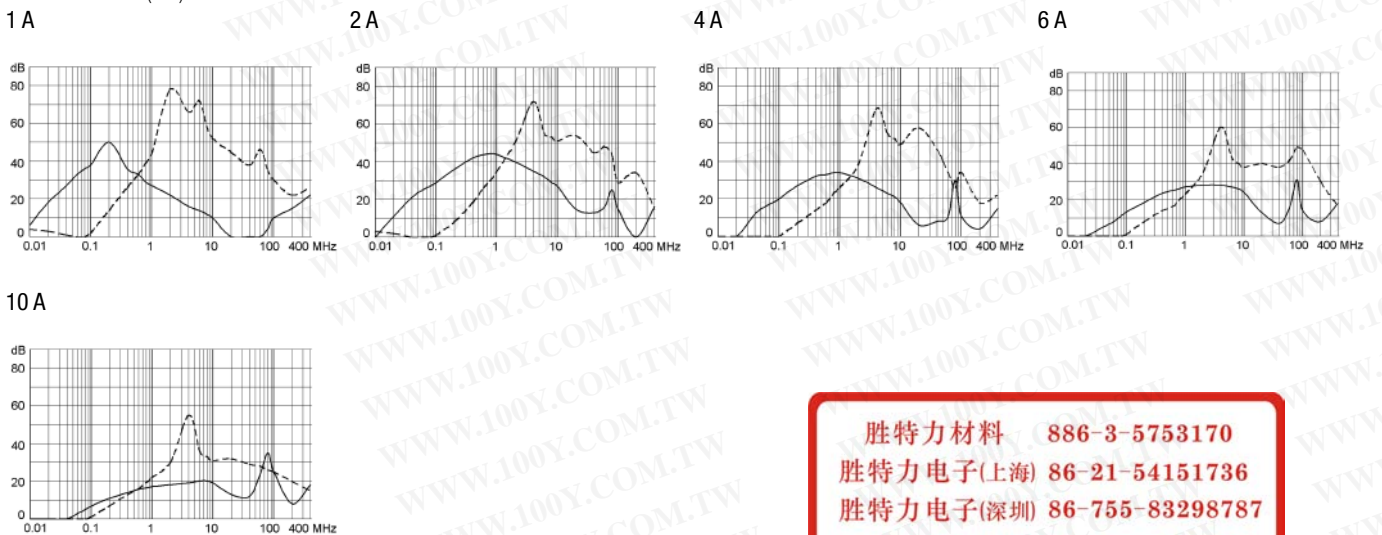
Attenuation loss

--- differential mode — common mode

Standard version



Medical version (M5)



胜特力材料 886-3-5753170
 胜特力电子(上海) 86-21-54151736
 胜特力电子(深圳) 86-755-83298787
[Http://www.100y.com.tw](http://www.100y.com.tw)

Variants

Fuse drawer must be ordered separately (See accessories).

Rated Current [A]	Filter-Type	Panel mounting	Mounting side	Fuseholder	Terminal	Voltage selector	Order Number
1	Standard Version	Snap-in	Front-Side	1 pole	Quick connect terminals	-	4301.6011
1	Standard Version	Snap-in	Front-Side	2-pole	Quick connect terminals	-	4301.6001
2	Standard Version	Snap-in	Front-Side	1 pole	Quick connect terminals	-	4301.6012
2	Standard Version	Snap-in	Front-Side	2-pole	Quick connect terminals	-	4301.6002
4	Standard Version	Snap-in	Front-Side	1 pole	Quick connect terminals	-	4301.6013
4	Standard Version	Snap-in	Front-Side	2-pole	Quick connect terminals	-	4301.6003
6	Standard Version	Snap-in	Front-Side	1 pole	Quick connect terminals	-	4301.6014
6	Standard Version	Snap-in	Front-Side	2-pole	Quick connect terminals	-	4301.6004
10	Standard Version	Snap-in	Front-Side	1 pole	Quick connect terminals	-	4301.6015
10	Standard Version	Snap-in	Front-Side	2-pole	Quick connect terminals	-	4301.6005
1	Standard Version	Screw-on	Front-Side	1 pole	Quick connect terminals	-	4301.5011
1	Standard Version	Screw-on	Front-Side	1 pole	Quick connect terminals	3 digits	4301.5051
1	Standard Version	Screw-on	Front-Side	2-pole	Quick connect terminals	-	4301.5001
1	Standard Version	Screw-on	Front-Side	2-pole	Quick connect terminals	3 digits	4301.5041
1	Standard Version	Screw-on	Rear-Side	1 pole	Flexible wire18 AWG	-	4301.7311
1	Standard Version	Screw-on	Rear-Side	1 pole	Quick connect terminals	-	4301.7011
1	Standard Version	Screw-on	Rear-Side	2-pole	Flexible wire18 AWG	-	4301.7301

Rated Current [A]	Filter-Type	Panel mounting	Mounting side	Fuseholder	Terminal	Voltage selector	Order Number
1	Standard Version	Screw-on	Rear-Side	2-pole	Quick connect terminals	-	4301.7001
2	Standard Version	Screw-on	Front-Side	1 pole	Quick connect terminals	-	4301.5012
2	Standard Version	Screw-on	Front-Side	1 pole	Quick connect terminals	3 digits	4301.5052
2	Standard Version	Screw-on	Front-Side	2-pole	Quick connect terminals	-	4301.5002
2	Standard Version	Screw-on	Front-Side	2-pole	Quick connect terminals	3 digits	4301.5042
2	Standard Version	Screw-on	Rear-Side	1 pole	Quick connect terminals	-	4301.7012
2	Standard Version	Screw-on	Rear-Side	2-pole	Quick connect terminals	-	4301.7002
4	Standard Version	Screw-on	Front-Side	1 pole	Quick connect terminals	-	4301.5013
4	Standard Version	Screw-on	Front-Side	1 pole	Quick connect terminals	3 digits	4301.5053
4	Standard Version	Screw-on	Front-Side	2-pole	Quick connect terminals	-	4301.5003
4	Standard Version	Screw-on	Front-Side	2-pole	Quick connect terminals	3 digits	4301.5043
4	Standard Version	Screw-on	Rear-Side	1 pole	Quick connect terminals	-	4301.7013
4	Standard Version	Screw-on	Rear-Side	2-pole	Quick connect terminals	-	4301.7003
6	Standard Version	Screw-on	Front-Side	1 pole	Quick connect terminals	-	4301.5014
6	Standard Version	Screw-on	Front-Side	1 pole	Quick connect terminals	3 digits	4301.5054
6	Standard Version	Screw-on	Front-Side	2-pole	Quick connect terminals	-	4301.5004
6	Standard Version	Screw-on	Front-Side	2-pole	Quick connect terminals	3 digits	4301.5044
6	Standard Version	Screw-on	Rear-Side	1 pole	Quick connect terminals	-	4301.7014
6	Standard Version	Screw-on	Rear-Side	2-pole	Quick connect terminals	-	4301.7004
10	Standard Version	Screw-on	Front-Side	1 pole	Quick connect terminals	-	4301.5015
10	Standard Version	Screw-on	Front-Side	1 pole	Quick connect terminals	3 digits	4301.5055
10	Standard Version	Screw-on	Front-Side	2-pole	Quick connect terminals	-	4301.5005
10	Standard Version	Screw-on	Front-Side	2-pole	Quick connect terminals	3 digits	4301.5045
10	Standard Version	Screw-on	Rear-Side	1 pole	Quick connect terminals	-	4301.7015
10	Standard Version	Screw-on	Rear-Side	2-pole	Quick connect terminals	-	4301.7005
1	Medical Version (M5)	Snap-in	Front-Side	2-pole	Quick connect terminals	-	4301.6201
2	Medical Version (M5)	Snap-in	Front-Side	2-pole	Quick connect terminals	-	4301.6203
4	Medical Version (M5)	Snap-in	Front-Side	2-pole	Quick connect terminals	-	4301.6205
6	Medical Version (M5)	Snap-in	Front-Side	2-pole	Quick connect terminals	-	4301.6207
10	Medical Version (M5)	Snap-in	Front-Side	2-pole	Quick connect terminals	-	4301.6209
1	Medical Version (M5)	Screw-on	Front-Side	2-pole	Quick connect terminals	-	4301.5201
1	Medical Version (M5)	Screw-on	Front-Side	2-pole	Quick connect terminals	3 digits	4301.5241
1	Medical Version (M5)	Screw-on	Rear-Side	2-pole	Quick connect terminals	-	4301.7201
2	Medical Version (M5)	Screw-on	Front-Side	2-pole	Quick connect terminals	-	4301.5203
2	Medical Version (M5)	Screw-on	Front-Side	2-pole	Quick connect terminals	3 digits	4301.5243
2	Medical Version (M5)	Screw-on	Front-Side	2-pole	Quick connect terminals	3 digits	4301.5244
2	Medical Version (M5)	Screw-on	Rear-Side	2-pole	Quick connect terminals	-	4301.7203
4	Medical Version (M5)	Screw-on	Front-Side	2-pole	Quick connect terminals	-	4301.5205
4	Medical Version (M5)	Screw-on	Front-Side	2-pole	Quick connect terminals	3 digits	4301.5245
4	Medical Version (M5)	Screw-on	Rear-Side	2-pole	Quick connect terminals	-	4301.7205
6	Medical Version (M5)	Screw-on	Front-Side	1 pole	Quick connect terminals	-	4301.5217
6	Medical Version (M5)	Screw-on	Front-Side	2-pole	Quick connect terminals	3 digits	4301.5247
6	Medical Version (M5)	Screw-on	Rear-Side	2-pole	Quick connect terminals	-	4301.7207
10	Medical Version (M5)	Screw-on	Front-Side	2-pole	Quick connect terminals	-	4301.5209
10	Medical Version (M5)	Screw-on	Front-Side	2-pole	Quick connect terminals	3 digits	4301.5249
10	Medical Version (M5)	Screw-on	Rear-Side	2-pole	Quick connect terminals	-	4301.7209
4	Medical Version (M80)	Snap-in	Front-Side	2-pole	Quick connect terminals	-	4301.6206
1	Medical Version (M80)	Screw-on	Rear-Side	2-pole	Quick connect terminals	-	4301.7202
2	Medical Version (M80)	Screw-on	Rear-Side	2-pole	Quick connect terminals	-	4301.7204
4	Medical Version (M80)	Screw-on	Front-Side	2-pole	Quick connect terminals	-	4301.5206
4	Medical Version (M80)	Screw-on	Rear-Side	2-pole	Quick connect terminals	-	4301.7006
6	Medical Version (M80)	Screw-on	Rear-Side	2-pole	Quick connect terminals	-	4301.7208
10	Medical Version (M80)	Screw-on	Rear-Side	2-pole	Quick connect terminals	-	4301.7000

Wire length: 150 mm

Packaging unit 10 Pcs

Required Accessory

Description



Fusedrawer 2

Accessory



Assorted Covers



Cord retaining kits
