



## 600W Single Output With Parallel Function

# SCN-600 series



### Features :

- AC input range selected by switch
- Protections: Short circuit / Overload / Over voltage / Over temp.
- High reliability/ Low ripple noise
- Built-in remote sense function
- Built-in remote ON-OFF control
- Built-in parallel operation function
- Can adjust from 20~100% output voltage by external control 1-5V
- Forced air cooling by built-in DC fan
- Case coating with paint
- 2 years warranty



### SPECIFICATION

ORDER NO.	SCN-600-05	SCN-600-12	SCN-600-15	SCN-600-18	SCN-600-24	SCN-600-48	
OUTPUT	SAFETY MODEL NO.	600S-N005	600S-N012	600S-N015	600S-N018	600S-N024	600S-N048
	DC VOLTAGE	5V	12V	15V	18V	24V	48V
	RATED CURRENT	100A	50A	40A	33A	25A	12A
	CURRENT RANGE	0 ~ 100A	0 ~ 50A	0 ~ 40A	0 ~ 33A	0 ~ 25A	0 ~ 12A
	RATED POWER	500W	600W	600W	594W	600W	576W
	RIPPLE & NOISE (max.) Note.2	100mVp-p	120mVp-p	150mVp-p	180mVp-p	240mVp-p	480mVp-p
	VOLTAGE ADJ. RANGE	±5.0% typical adjustment by potentiometer 20~100% adjustment by 1~5VDC external control					
	VOLTAGE TOLERANCE Note.3	±1.5%	±1.0%	±1.0%	±1.0%	±1.0%	±1.0%
	LINE REGULATION	±0.5%	±0.5%	±0.5%	±0.5%	±0.5%	±0.5%
	LOAD REGULATION	±1.0%	±0.5%	±0.5%	±0.5%	±0.5%	±0.5%
SETUP, RISE, HOLD UP TIME	800ms, 50ms, 16ms at full load						
INPUT	VOLTAGE RANGE	90 ~ 130VAC / 180 ~ 260VAC selected by switch, 260 ~ 370VDC					
	FREQUENCY RANGE	47 ~ 63Hz					
	EFFICIENCY (Typ.)	77%	80%	81%	82%	85%	87%
	AC CURRENT	11A / 115VAC 7.0A / 230VAC					
	INRUSH CURRENT (max.)	60A / 230VAC					
	LEAKAGE CURRENT	3.5mA / 240VAC					
PROTECTION	OVERLOAD	101 ~ 115% 110 ~ 135% rated output power					
		Protection type : Current limiting, delay shut down o/p voltage, re-power on to recover					
	OVER VOLTAGE	110 ~ 135% follow to output set up point					
	Protection type : Shut down o/p voltage, re-power on to recover						
OVER TEMPERATURE	>100°C / measure by heat sink, near transformer						
	Protection type : Shut down o/p voltage, re-power on to recover						
ENVIRONMENT	WORKING TEMP.	-10 ~ +65°C (Refer to output load derating curve)					
	WORKING HUMIDITY	20% ~ 90% RH non-condensing					
	STORAGE TEMP., HUMIDITY	-20 ~ +85°C, 10 ~ 95% RH					
	TEMP. COEFFICIENT	±0.04% / °C (0 ~ 50°C)					
	VIBRATION	10 ~ 200Hz, 2G 10min./1cycle, period for 60min. each along X, Y, Z axes					
SAFETY & EMC (Note. 4)	SAFETY STANDARDS	UL60950-1, CSA22.2, IEC60950 approved					
	WITHSTAND VOLTAGE	I/P-O/P, I/P-FG:1500VAC					
	ISOLATION RESISTANCE	I/P-O/P, I/P-FG, 100M Ohms / 500VDC / 25°C / 70% RH					
	EMI CONDUCTION & RADIATION	Compliance to FCC part 15 class A					
	HARMONIC CURRENT	----					
	EMS IMMUNITY	----					
OTHERS	MTBF	120Khrs min. MIL-HDBK-217F (25°C)					
	DIMENSION	291*132*68mm (L*W*H)					
	PACKING	2.6kg; 8pcs/ 24kg/ CARTON					
	SPECIAL FUNCTION	DC voltage adj., Remote sensing, remote control, parallel operation (refer to terminal instruction manual)					
NOTE	<ol style="list-style-type: none"> <li>1. All parameters are specified at 230VAC input, rated load, 25°C 70% RH ambient.</li> <li>2. Tolerance: includes set up tolerance, line regulation, load regulation.</li> <li>3. Ripple &amp; noise are measured at 20MHz by using a 12" twisted pair terminated with a 0.1uf &amp; 47uf capacitor.</li> <li>4. The power supply is considered a component which will be installed into a final equipment. The final equipment must be re-confirmed that it still meets EMC directives.</li> </ol>						

勝特力材料 886-3-5753170  
 勝特力电子(上海) 86-21-34970699  
 勝特力电子(深圳) 86-755-83298787  
[Http://www.100y.com.tw](http://www.100y.com.tw)

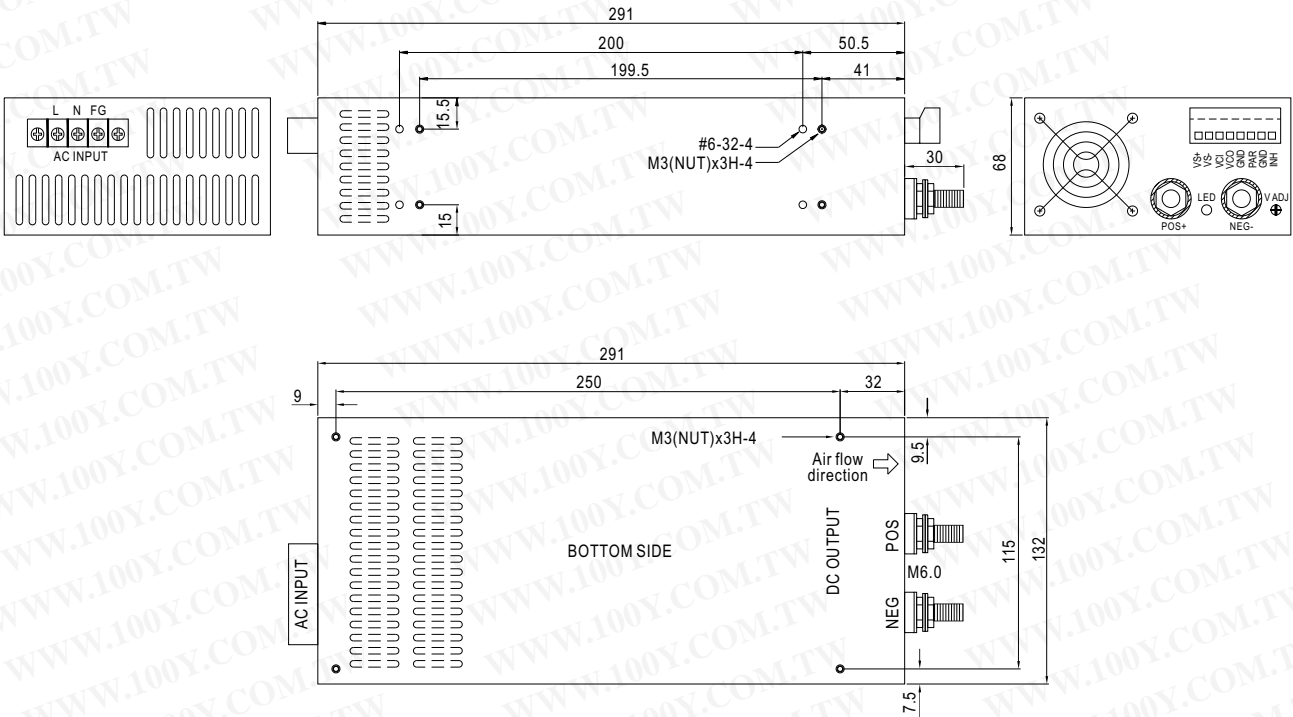


600W Single Output With Parallel Function

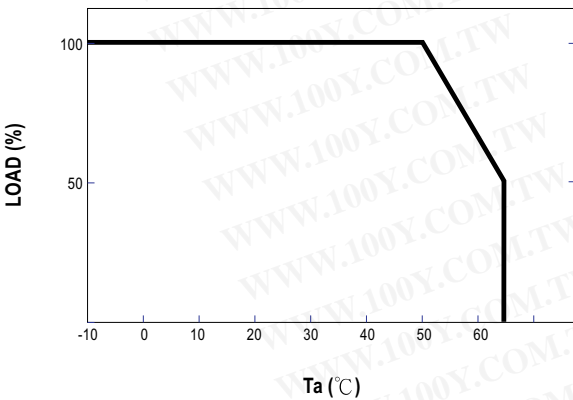
**SCN-600 series**

**Mechanical Specification**

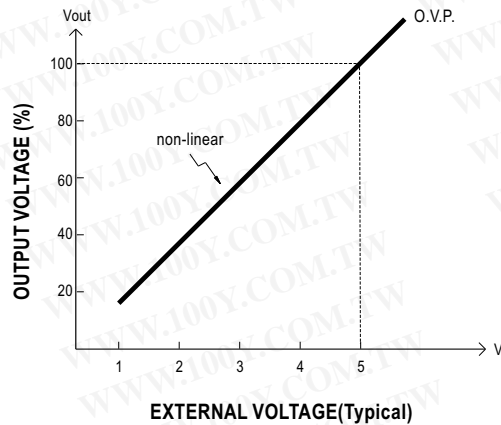
Unit:mm



**Derating Curve**

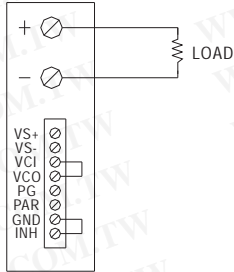


**External DC Control VS Output Voltage**

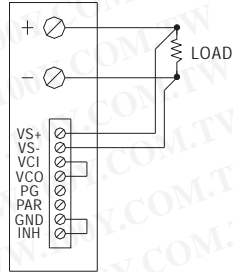


勝特力材料 886-3-5753170  
 勝特力电子(上海) 86-21-34970699  
 勝特力电子(深圳) 86-755-83298787  
[Http://www.100y.com.tw](http://www.100y.com.tw)

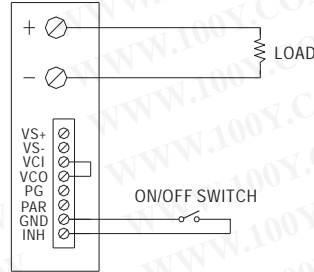
## Control terminal instruction manual



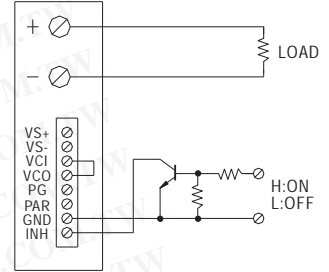
USING INTERNAL VOLTAGE CONTROL



REMOTE SENSING

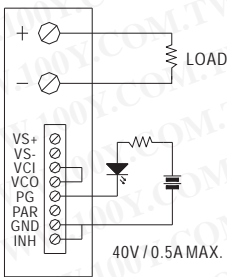


ON/OFF CONTROL BY SWITCH

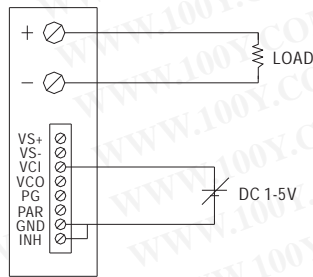


ON/OFF CONTROL BY TRANSISTOR

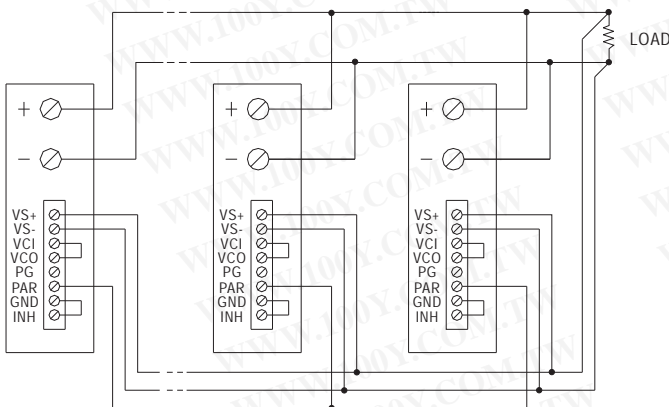
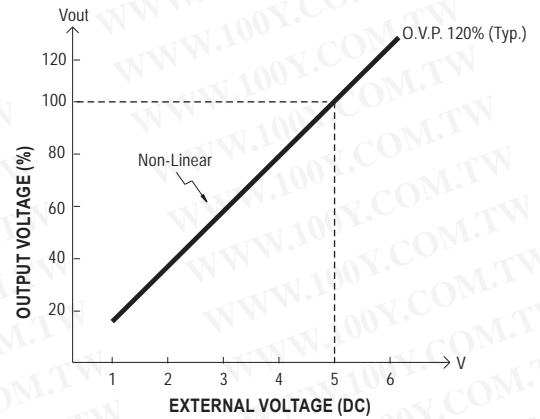
GOOD : LED OFF  
FAIL : LED ON



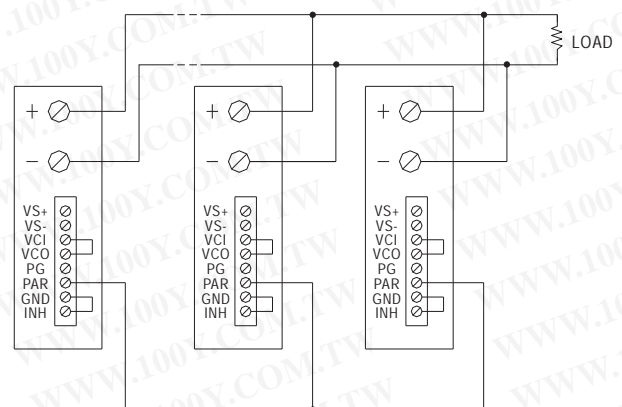
POWER GOOD SIGNAL



OUTPUT VOLTAGE ADJUST WITH DC 1-5V



PARALLEL OPERATION WITH REMOTE SENSING



PARALLEL OPERATION WITHOUT REMOTE SENSING

勝特力材料 886-3-5753170  
 勝特力电子(上海) 86-21-34970699  
 勝特力电子(深圳) 86-755-83298787  
[Http://www.100y.com.tw](http://www.100y.com.tw)