

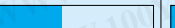

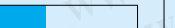



低压熔断器  
Low-Voltage Fuses

勝特力材料 886-3-5753170  
勝特力电子(上海) 86-21-54151736  
勝特力电子(深圳) 86-755-83298787  
[Http://www.100y.com.tw](http://www.100y.com.tw)



| 技术数据总表   |   | General technical data  |  |   |  |   |
|--|---|---|--|---|--|---|
|  | NH  | SITOR   | Cylindrical  | NEOZED  | DIAZED/SILIZED   | MINIZED   |
| 标准<br>Standards                                | DIN VDE 0636<br>DIN VDE 0680<br>IEC 269<br>EN 60 269  | DIN VDE 0636<br>IEC 269<br>EN 60 269  | IEC 269<br>NF C 60 200<br>NF C 63 210<br>NF C 63 211<br>NBN C 63 269-2-EN-2-1<br>CEI 32-4      | DIN VDE 0636<br>DIN VDE 0680<br>IEC 269<br>EN 60 269  | DIN VDE 0635<br>DIN VDE 0636<br>DIN VDE 0680<br>IEC 269<br>IEC 241<br>CEE 16<br>EN 60 269        | DIN 0638<br>EN 60947-3  |
| 外形尺寸<br>Dimensions                             | DIN VDE 43 620<br>DIN VDE 43 623  | DIN 43 620<br>DIN 43 623  | IEC 269-2-1  | DIN VDE 49 522<br>DIN VDE 49 523<br>DIN VDE 49 524<br>DIN VDE 49 525                            | DIN VDE 49 510<br>DIN VDE 49 511<br>DIN VDE 49 514<br>DIN VDE 49 515<br>DIN VDE 49 516           | DIN 43880   |
| 工作等级<br>Operating classes                      | gL/gG, aM   | aR, gR  | gG, aM   | gL/gG   | gL/gG, gR.<br>慢动作, 快动作<br>slow, quick response   |   |
| 额定电压<br>Rated voltage                          | V AC 500/690<br>DC 250/440  | AC 600/690/1000   | AC 400/500   | AC 400/415<br>DC 250  | AC 500/600/750<br>DC 500/600/750   | AC 400/415<br>DC 48/110   |
| 额定电流范围<br>Rated current range                  | A 2 - 1250<br> | 16-900<br> | 0.5-100<br> | 2 - 100<br> | 2 - 100<br> | 2-63<br> |
| 额定分断能力<br>Rated breaking capacity              | kA AC 120 (00:50)<br>DC 50/100  | > AC 50   | AC 100   | AC 50<br>DC 8   | AC 50 (E16:40)<br>DC 8 (E16:1.6)   | AC 50<br>DC 8   |
| 使用位置<br>Mounting position                      | 任意, 但优先垂直<br>as desired but preferably vertical   | 任意, 但优先垂直<br>as desired but preferably vertical   | 任意, 但优先垂直<br>as desired but preferably vertical  | 任意, 但优先垂直<br>as desired but preferably vertical   | 任意, 但优先垂直<br>as desired but preferably vertical  | 任意, 但优先垂直<br>as desired but preferably vertical   |
| 耐气候性<br>Resistance to climate<br>rel. humidity | °C -30 至 +50<br>在 95% 相对湿度时<br>up to -30 to +50<br>at 95% rel. humidity                           | -30 至 +50<br>在 95% 相对湿度时<br>up to -30 to +50<br>at 95% rel. humidity                          | -30 至 +50<br>在 95% 相对湿度时<br>up to -30 to +50<br>at 95% rel. humidity                           | 至 45<br>在 95% 相对湿度时<br>up to 45<br>at 95% rel. humidity   | 至 45<br>在 95% 相对湿度时<br>up to 45<br>at 95% rel. humidity  | 至 45<br>在 95% 相对湿度时<br>up to 45<br>at 95% rel. humidity                                       |
| 不可互换性<br>Non-interchangeability                | 不需要<br>not necessary  | 不需要<br>not necessary  | 不需要<br>not necessary   | 采用套管式配合件<br>by sleeve adapters  | 采用配合螺丝或配合环<br>by sleeve adapters<br>or ring adapters   | 采用套管式配合件<br>(只对 MINIZED D02)<br>by sleeve adapters<br>(only for MINIZED D02)                  |
| 应用<br>Application                              | 导线保护<br>cable protection<br>电动机保护<br>motor protection   | 电动机保护<br>motor protection   | 导线保护<br>cable protection<br>电动机保护<br>motor protection  | 导线保护<br>cable protection  | 导线保护 / 半导体保护<br>cable protection/<br>semiconductor<br>protection                                 | 导线保护<br>cable protection  |
| 页码<br>Page                                     | 2/1   | 4/1   | 5/1  | 6/1   | 7/1  | 8/1   |

勝特力材料 886-3-5753170  
 勝特力电子(上海) 86-21-54151736  
 勝特力电子(深圳) 86-755-83298787  
[Http://www.100y.com.tw](http://www.100y.com.tw)

# 低压熔断器 Low-Voltage Fuses

## 技术数据

## Technical data

### 优点

NEOZED、DIAZED、NH、Cylindrical 和 SILIZED-熔断器体系具有稳定的、始终一致的质量水平  
额定功耗低,经济性高,发热小  
额定分断能力高,从最小的不允许过载电流至最大的短路电流,都能被安全而可靠地分断  
选择性比例的分级细,使导线截面获得最佳利用  
限流特性强,能可靠地保护供电系统各部分  
在常年持续运行中保持可靠的功能  
抗老化稳定性高,从而避免出现不必要的运行事故  
在各种温度条件下保证特性曲线的稳定不变  
品种规格齐全,适宜用于各种应用场合  
附件多而实用,提高了接触安全性  
在世界上许多国家中已通过认证试验,取得认证证书

### 应用举例

熔断器担负的主要任务是为电线电缆作过载与短路保护,不论短路电流值有多高,它都能切断。其次,也适宜用作设备和电器的保护。

熔断器能担负的任务与使用条件有:

为避免出现不必要的运行事故,可用在选择性要求较高的辐射式电网和格子式电网中

小型断路器或塑壳式断路器进线的后备保护

在可能出现短时过载和短路的电动机回路中担负保护任务

开关电器,如接触器和马达启动器的短路保护

在用于符合标准规定的过电流-保护装置进行分断的 TN-和 TT-系统中,在出现故障时,熔断器也能防止危险的、过高的接触电压的存在。

熔断器的应用领域不断开拓与扩大,已从住宅建筑-电气安装,延伸到高层建筑、工业、供电行业(EVU)以及设备制造、开关设备与工业控制系统。

MINIZED 熔断器隔离开关的设计确保 NEOZED 熔体在不带电状态下的更换,使过载情况下的安全开关成为可能,分断能力也至 50kA。因此,MINIZED 熔断器隔离开关特别适用于主开关的计量区以及选择性,控制和工业领域的应用,尤其是在需要很高的开关能力,安全可靠的操作性,选择性和空间最小化的要求下。

### Advantages

Consistently high quality system for NEOZED, DIAZED, NH Cylindrical and SILIZED fuses

Low power losses for high economy and minimal heating

Safe and reliable breaking capacity from the smallest

dangerous overload current up to the largest

short-circuit current

Finely graded selectivity level for the optimal use of cable cross sections

Strong current limiting to protect all parts of the installation

Reliable function over long life of continuous operation

High Resistance to ageing thus avoiding unnecessary

operational faults

Constant characteristics even under different temperature conditions

Extensive program for all types of application

Wide range of practical accessories, also for increasing protection against shock

Approved in many countries of the world

### Applications

Fuses are primarily used for the protection of cables and conductors against overload and short-circuit currents, regardless of level, and are also suitable for the protection of equipment and systems.

Amongst the many tasks and different uses for fuses, are the following included:

A high measure of selectivity available in radial and ring networks for the avoidance of unnecessary operational faults

For back-up protection of MCBs or MCCBs for cable feeders

For protection of motor circuits in which operational short-term overloads and short-circuits can appear

Short circuit protection for switching devices such as contactors and motor starter protectors.

For TN and TT-networks where disconnection by means of the normal overcurrent protection arrangement, fuses in the event of a fault prevent the continuation of dangerously high touch voltages.

The field of application for fuses is wide and extends from residential installations to applications in commercial buildings, industrial installations, power supply utilities, equipment manufacturers, and are also incorporated in switchboards and control panels.

The design of the MINIZED switch-disconnector ensures that the NEOZED fuse links are replaced in a voltage-free condition and makes possible safe switching of overload and short-circuit currents up to 50kA. The MINIZED is therefore particularly suitable for use in metering areas as the main switch and for selective duties, in control and industrial applications, where a high switching capacity, safe and reliable operation, selectivity and minimum spacing is required.

勝特力材料 886-3-5753170  
勝特力电子(上海) 86-21-54151736  
勝特力电子(深圳) 86-755-83298787  
[Http://www.100y.com.tw](http://www.100y.com.tw)

低压配电屏  
Low-voltage  
distribution board





技术数据

NH-熔断器

低压高分断能力 (NH)-熔断器是由 NH-熔断体和 NH-熔断器底座组成,应用 NH-熔断器插拔手柄可将 NH-熔断体插入或拔出 NH-熔断器底座。

NH-熔断器符合 DIN 43 620 标准,有 7 个制造等级,额定电流从 2 至 1250A,额定电压按不同的制造系列有 AC 500V/DC 440V (除制造等级 00, DC250V 之外) 或 AC 690V/DC 440V。

LV HRC Fuses

Low voltage HRC (High-Rupture-Capacity) fuses are comprised of the LV HRC fuse link and the LV HRC fuse base. The LV HRC fuse puller is a tool for placing/replacing the LV HRC fuse links. LV HRC fuses are available in 7 different sizes according to DIN 43620 from 2 to 1250 A. The rated voltage is according to the model AC 500 V/DC 440 V (excluding Gr. 00, DC 250 V) or AC 690 V/DC 440 V.

SITOR 熔断器

SITOR 熔断体作为低压高分断能力熔断器的一种,主要用于需要快速动作的半导体短路保护,特别是晶闸管、GTOs 和二极管的保护。由于它的独特设计,熔断体在负载切换时显得特别稳定。当在短路时考虑到时间常数,SITOR 熔断体还可以用于直流回路。对于额定电流值 63A 的 3NE 32.., 3NE 33.., 3NE 41.., 3NE 80.. 和 3NE 87.. 系列 (3NE 87.. 系列 32A) 的熔断体,由于它们都具有很快的动作特性,故可用于工作等级为 aR (局部范围的半导体保护) 的设备。

新的 3NE1...0 系列额定电流为 16A 至 630A 的熔断体,工作等级为 gR (全范围的半导体保护)。熔断体可以同时适用于线路保护 (过载和短路保护),也可以用于半导体保护,这种过载保护取决于工作电源的变化(电压变化)的使用条件。

SITOR Fuse links

SITOR fuse links are very quick response fuse links of the low-voltage HRC type for short-circuit protection of power semiconductors, especially of thyristors, GTOs and diodes. By virtue of their design, the fuse links are particularly stable under alternating loads. When considering the time constants in the shorted circuit, the SITOR fuse can also be used in DC circuits. Except for the rated currents  $\leq 63A$  (series 3NE87..  $\leq 32A$ ) the series 3NE32.., 3NE33.., 3NE41.., 3NE80.. and 3NE87 have operating class aR (accompanied semiconductor protection) by virtue of their very quick acting characteristic. The new series 3NE1...0 with rated currents of 16 A to 630A, however, has the operating class gR (general purpose semiconductor protection). The fuse links of this series are suitable both for line protection (overload and short-circuit protection), as well as for semiconductor protection. Their overload behaviour is matched to the operating conditions of voltage-source converters (U converters).

NEOZED-熔断器

NEOZED-熔断器有 3 个制造等级,额定电流从 2 至 100A,额定电压至 AC 415 V/DC 250V。其外形尺寸紧凑,但额定通断能力却高达 50kA (至 AC 415V) 或 8kA (至 DC 250V)。

D01/D02 塑料制成的熔断器底座可用于小型配电箱。

合适的 N NEOZED-螺旋式帽盖是涂有黑色,所以作为操作元件,装在建筑安装用配电箱中很容易识别。

额定电流 - 不可互换性,从 6A 起,级与级之间是通过可插装的套管式配件来保证的。

NEOZED-fuse

NEOZED fuses are available in three sizes from 2 to 100 A rated current and a rated voltage up to AC 415 V/DC 250 V. Despite compact dimensions the rated breaking capacity is 50 kA (up to AC 415 V) or 8 kA (up to DC 250 V).

For type distribution boards there are D01/D02 moulded plastic fuse bases.

The associated N type NEOZED screw caps are coloured black and therefore as an operating element within a distribution board easily recognisable.

The rated current non-interchangeability is from 6 A upwards. This is guaranteed by using a unique adapter sleeve for each current rating.

DIAZED-熔断器

在 DIAZED-体系中共有 5 个制造等级,其中 DII 型和 DIII 型可在建筑安装用配电箱中直接卡装在帽形安装轨上。它们是为额定电压至 AC 500V 而设计的。

对于特殊电网也可提供额定电压至 AC 690V<sup>1)</sup> DIAZED-熔断体。NEOZED-以及 DIAZED-熔断器体系也允许非专业人员操作。因此,从 6A 起,要求额定电流的不可互换性必须通过装容不同规格熔断体的底部接触塞以及插在熔断器底座中的配合压环来保证。

为了 DIAZED-熔断器的可靠接触与功能,在使用 DIAZED-熔断器底座时也必须使用与其相匹配的螺旋帽盖。额定电流不可互换性是指不能使用大于规定额定电流的熔断体。对于不同的额定电流,指示器薄片采用不同的颜色来标识。

DIAZED-fuse

In the DIAZED system there are five sizes of these, the sizes DII and DIII can be mounted in the distribution boards on mounting rail. They are designed for rated voltages up to AC 500V.

For special networks DIAZED fuse links for rated voltages up to AC 690V<sup>1)</sup> are also available. The NEOZED as well as the DIAZED fuse systems are suitable for amateur operation. Therefore the required non-interchangeability from 6A, is ensured by the base contact stud, respective fuse links and particular adapter fitted in the fuse base. For safe contacting and functioning of DIAZED fuses and adapter screws it is necessary that DIAZED fuse bases are used. Rated current non-interchangeability means, that fuse links with a higher rated current than specified cannot be fitted. The fuse indicators are marked in a different colour, according to the rated current.

**勝特力材料 886-3-5753170**  
**勝特力电子(上海) 86-21-54151736**  
**勝特力电子(深圳) 86-755-83298787**  
**Http://www.100y.com.tw**

<sup>1)</sup> 不宜安装在小型配电箱中。

Not suitable for flush mounting in small distribution boards

# 低压熔断器

## Low-Voltage Fuses

### 技术数据

### Technical data

#### SILIZED- 熔断体

SILIZED- 熔断器的特性能与大功率可控硅和二极管的负载特性曲线相配合,因此可用作半导体保护,特别适用于保护这类元件以及由这类半导体元件组成的设备。

工作等级 gR 的 SILIZED 熔断体,由于它具有特别高的限流能力,所以安装位置上出现的预期短路电流允许是任意的值。

#### SILIZED fuse links

For semiconductor protection the characteristics of the SILIZED fuses are especially adjusted to match the load characteristics of power thyristors and diodes. They are therefore suitable for the protection of these components and/or devices equipped with these semiconductors.

The fuse links SILIZED has an operating class gR due to its especially high current limiting capability it can be placed as desired regardless of how high the prospective short-circuit current is.

#### MINIZED- 熔断器

MINIZED 是一种使用 NEOZED 熔体的隔离开关。一种机械式的内部锁扣确保每一极的 NEOZED 熔体都紧密地安装后才可以被合上。NEOZED 熔体和隔离开关作为一个整体装配使用。当开关断开时,所有可接触的金属部分都不带电。(对 MINIZED 的 D02 型,无论进线接在哪一侧。)

NEOZED 的 D01 型熔体额定电流至 16A。

MINIZED 的 D02 型也适用 D01 熔体,额定电流从 2 至 63A,(2 至 16A 只配合 5SH5 400 特殊套环使用)对于 MINIZED 的 D02 型,进线电缆截面至 35mm<sup>2</sup>,可以从上端或下端进出线并同时连接汇流排。

#### MINIZED-fuse

The MINIZED is a switch-disconnector for NEOZED fuse links. A mechanical interlock prevents closing, unless the NEOZED fuses for each pole, have been firmly engaged and/or screwed tightly then switching on is possible.

NEOZED fuse links and the switch-disconnector part are assembled as an unit switched in series. In the switched off state all the touchable metal parts are voltage-free (for MINIZED D02 regardless of which side that incomer is connected to).

The model D01 is for NEOZED fuse links up to a rated current of 16A.

The MINIZED D02 can accept D01 as well as D02 fuse links from 2 to 63A (from 2 to 16A only with special retaining spring 5SH5 400).

For the MINIZED D02 both feeder cables up to 35mm<sup>2</sup> and busbars are simultaneously connectable to the top and bottom terminals.

勝特力材料 886-3-5753170  
勝特力电子(上海) 86-21-54151736  
勝特力电子(深圳) 86-755-83298787  
[Http://www.100y.com.tw](http://www.100y.com.tw)

技术数据

选择性

在供电系统中，通常是若干个熔断器相串联。选择性是指在出现故障时，保证在供电系统中只断开发生故障的回路，并不中断全部运行过程。

西门子出品的工作等级为 gL/gG 的熔断器在额定电压至 AC 230V 时，它们之间的相互选择性比例为 1:1.25，即额定电流等级与额定电流等级之比，这是由于其离散范围仅为 5% 的时间/电流特性曲线。很明显，这比标准要求的 1:1.6 要优越得多。由于额定电流的减小，导线截面的尺寸设计也就相应缩小。

Selectivity

In an installation as a rule several fuses are connected in series. Selectivity ensures that in an emergency, only the plant in the disturbed circuit is disconnected, and not the entire operation. Siemens fuses with operating class gL/gG for a rated voltage to up to AC 230V are mutually selective in the ratio 1:1.25, i.e. from rated current type to rated current type. This is due to the much slighter tolerance range, of the time/current characteristic curve. The standard requires a ratio limit of 1:1.6 which our fuses clearly exceed. The cable sizes due to the smaller rated currents can also be reduced.

工作等级

熔断器是根据其功能来划分其工作等级的。此时，第 1 字母表示功能等级，而第 2 字母是表示被保护的对象。

第 1 字母

a 局部范围保护 (后备保护熔断器)  
g 全范围保护 (一般用途熔断器)

第 2 字母

G 电缆和导线保护 (一般应用)  
M 开关电器保护 (电动机回路的保护)  
R 半导体保护 (用作整流器保护)  
L 电缆和导线保护 (根据 DIN VDE 规定)

此外，在 DIAZED-熔断器上标识“慢动作”与“快动作”，IEC/CEE/DIN VDE 中都对此作了规定。

“快动作”特性是指熔断器在短路条件下的断开速度要快于工作等级 gL/gG。用于直流-铁道供电系统中的 DIAZED-熔断器为“慢动作”特性，它特别适用于分断具有较大电感的直流电流。

熔断器的快动作和慢动作特性也适用于保护电缆和导线，全范围-熔断器 (gL/gG、gR、快动作、慢动作)，它既能安全可靠地断开过载电流，也能安全地断开短路电流。

局部范围熔断器只能用作短路保护 (aM、aR)。

下列的工作等级，均包括在我们的产品目录中：

- gL (DIN VDE)/gG (IEC)  
全范围的电缆和导线保护
- aM (DIN VDE/IEC)  
局部范围的电动机回路保护
- aR (DIN VDE/IEC)  
局部范围的半导体保护
- gR (DIN VDE/IEC)  
全范围的半导体保护
- 快动作  
全范围的电缆和导线保护
- 慢动作  
全范围的电缆和导线保护

Operating Class

The function of the fuse determines its operating class. Thereby the first letter gives the function class and the second gives the protection object:

1. Letter

a accompanied fuses  
g general purpose fuses

2. Letter

G general applications  
M for protection of motor circuits  
R for protection of rectifiers  
L cable and line protection (to DIN VDE)

Furthermore the DIAZED fuses are marked with the words *trag* (*trag*=slow) *slow* and *flink* (*flink* = quick). These are defined in IEC/CEE/DIN VDE.

Under short-circuit conditions, fuses with the quick characteristic operate more quickly than fuses with an operating class gL/gG. For DC Traction systems that have large inductive DC currents the DIAZED fuses with the slow characteristic, are specially suited for this application.

Both characteristics are also suitable for the protection of cables and conductors. General purpose fuses (gL/gG, gR, quick, slow) safely disconnect both dangerous overload and short-circuit currents.

Accompanied fuses (aM, aR) are exclusively for short-circuit protection.

Following operating classes are in the program:

- gL (DIN VDE)/gG (IEC)  
General purpose cable and line protection
- aM (DIN VDE/IEC)  
Accompanied motor circuit protection
- aR (DIN VDE/IEC)  
Accompanied semiconductor protection
- gR (DIN VDE/IEC)  
General purpose semiconductor protection
- quick (DIN VDE/IEC/CEE)  
General purpose cable and line protection
- slow (DIN VDE)  
General purpose cable and line protection

分断能力

熔断器突出的优点是额定分断能力高，而占地体积小，有关试验的基本要求与试验回路数据如电压、功率因数、分断相角等等在德国标准 (DIN VDE 0636) 和国际标准 (IEC 269) 中都有详细规定。

为了保证从最小过载电流至最高短路电流范围内稳定的额定分断能力，在设计和制造熔断器时必须重视许多质量特征，例如除了熔体设计外，对熔体的外形尺寸、冲裁图形及其在熔管中的位置、熔管的抗压强度和温度交变强度以及石英砂的化学纯度、颗粒大小和振实密度都具有重要意义。

在交流电压时，NEOZED 熔断器和大部分 DIAZED-熔断器的额定分断能力为 AC 50kA (见第 1/6 页)，NH-熔断器甚至可达 AC 120kA。

Breaking capacity

The fuses distinguish themselves with their high rated breaking capacity and minimal space requirements. The basic requirements and circuit data for the testing, i.e. voltage, load factor, switching angle etc. is detailed in the national (DIN VDE 0636) and international (IEC 269) standards.

For consistent reliable breaking of any current ranging from the smallest overload current up to the very high short-circuit currents, quality features such as the design and method of manufacturing the fuses should be considered.

So for example besides designing the fuse element to standard dimensions and manufacturing processes and positioning it in the fuse body, the resistance to pressure and temperature change to the fuse body as well as the chemical purity, grain size and density of the quartz sand are also of significance.

The rated AC breaking capacity for NEOZED and the majority of DIAZED fuses (see page 1/6), is AC 50 kA. For LV HRC fuses it is AC 120 kA.

勝特力材料 886-3-5753170  
勝特力电子(上海) 86-21-54151736  
勝特力电子(深圳) 86-755-83298787  
[Http://www.100y.com.tw](http://www.100y.com.tw)



| NH- 熔断器底座  |   | NH-Fuse bases   |                                    |  |
|--|---|---|------------------------------------|--|
| <p>用于 Iso-NH- 和 NH- 熔断体 / for Iso-NH- and NH- fuse links</p> <p>符合 DIN VDE 0635、IEC 269、DIN 43 620 标准<br/>用于触头的绝缘罩壳是作为附件提供</p> <p>额定电压: AC 1000V/DC 440V</p> |   | <p>According to DIN VDE 0635, IEC 269, DIN 43 620<br/>Push-on moulded-plastic cover for live contacts available as accessories</p> <p>Rated voltage: AC 1000V/DC 440V</p> |                                    |  |
|  | <p>导线截面至<br/>Conductor cross-section<br/>up to<br/>mm<sup>2</sup></p>   | <p>订货号<br/>Order No.</p>  | <p>包装<br/>Packing<br/>件 / Unit</p> | <p>重量<br/>Weight<br/>1 件 / 1 Unit<br/>kg</p> |
|  | <p>制造等级 00 / Size 00<br/>额定电流 160A / Rated current 160A</p>   |   |                                    |  |
|  | <p>1 极 / single-pole<br/>采用扁线连接 / with screw-type terminal connection<br/>95</p>                                    | <p>3NH3 030-2C</p>  | <p>3</p>                           | <p>0.235</p>                                 |
|  | <p>采用夹持圈连接 / with saddle-terminal connection<br/>6 - 70</p>   | <p>3NH3 032-2C</p>  |                                    | <p>0.266</p>                                 |
|  | <p>制造等级 00 / Size 00<br/>额定电流 160A / Rated current 160A</p>   |   |                                    |  |
|  | <p>3 极 / triple-pole<br/>包括相间隔离板 / incl. phase barriers<br/>采用扁线连接 / with screw-type terminal connection<br/>95</p> | <p>3NH4 030-2C</p>  | <p>1</p>                           | <p>0.700</p>                                 |
| <p>采用夹持圈连接 / with saddle-terminal connection<br/>6 - 70</p>  | <p>3NH4 032-2C</p>  |   | <p>0.800</p>                       |  |
| <p>制造等级 0 / Size 0<br/>额定电流 160A / Rated current 160A</p>  |   |   |                                    |  |
| <p>1 极 / single-pole<br/>采用扁线连接 / with screw-type terminal connection<br/>95</p>   | <p>3NH3 120</p>   | <p>3</p>  | <p>0.420</p>                       |  |

► 尺寸图见第 10/6 和 10/7 页。 / For dimension drawings, see page 10/6 and 10/7.

**勝特力材料 886-3-5753170**  
**勝特力电子(上海) 86-21-54151736**  
**勝特力电子(深圳) 86-755-83298787**  
[Http://www.100y.com.tw](http://www.100y.com.tw)

<sup>1)</sup>在使用 M 8- 螺纹的螺丝时, 可用于 M 8 x 16 电缆终端; 10mm 汇流排是用 M 8 x 25; 15mm 汇流排是用 M 8 x 30。  
With M 8 thread for screws when using: Cable lugs M 8 x 16; 10 mm busbars M 8 x 25; 15 mm busbars M 8 x 30.

# NH- 熔断器

## NH Fuses

| NH- 熔断器底座 (续)  |  | NH-Fuse bases (Continuation) |                           |                                    |  |
|--|--|------------------------------|---------------------------|------------------------------------|--|
|                              | 导线截面至<br>Conductor cross-section<br>up to<br>mm <sup>2</sup> | 订货号<br>Order No.             | 包装<br>Packing<br>件 / Unit | 重量<br>Weight<br>1 件 / 1 Unit<br>kg |  |
|  | <b>制造等级 1 / Size 1</b><br>额定电流 250A / Rated current 250A     |                              |                           |                                    |  |
| 1 极 / single-pole<br>采用扁线连接 / with screw-type terminal connection<br>150                                       |  | 3NH3 230-2C                  | 3                         | 0.789                              |  |
| 3 极 / triple-pole<br>采用扁线连接 / with screw-type terminal connection<br>150                                       |  | 3NH4 230-2C                  | 1                         | 2.100                              |  |
| <b>制造等级 2 / Size 2</b><br>额定电流 400A / Rated current 400A   |  |                              |                           |                                    |  |
| 1 极 / single-pole<br>用于双母线连接 <sup>1)</sup> / for double busbar terminal connection <sup>1)</sup><br>300        |  | 3NH3 320-2C                  | 1                         | 0.843<br>1.000                     |  |
| <b>制造等级 3 / Size 3</b><br>额定电流 630A / Rated current 630A   |  |                              |                           |                                    |  |
| 1 极 / single-pole<br>用于双母线连接 <sup>1)</sup> / for double busbar terminal connection <sup>1)</sup><br>2 × 40 × 5 |  | 3NH3 420-2C                  | 1                         | 1.100                              |  |
| <b>制造等级 4 (IEC) / Size 4 (IEC)</b><br>额定电流 1000 A / Rated current 1000 A                                       |  |                              |                           |                                    |  |
| 1 极 / single-pole<br>采用扁线连接 / with screw-type terminal connection<br>2 × 50 × 8                                |  | 3NH3 530                     | 1                         | 3.018                              |  |
| <b>制造等级 4a / Size 4a</b><br>额定电流 1250A / Rated current 1250A   |  |                              |                           |                                    |  |
| 1 极 / single-pole<br>采用扁线连接 / with screw-type terminal connection<br>2 × 80 × 5                                |  | 3NH7 520                     | 1                         | 5.200                              |  |

► 尺寸图见第 10/6 和 10/7 页。 / For dimension drawings, see page 10/6 and 10/7.

**胜特力材料 886-3-5753170**  
**胜特力电子(上海) 86-21-54151736**  
**胜特力电子(深圳) 86-755-83298787**  
[Http://www.100y.com.tw](http://www.100y.com.tw)

<sup>1)</sup> 导线可连接在连接片的上部或下部。

The conductors are connectable at the top or bottom of the terminal lug.



NH 型熔断器隔离开关，单极

NH fuse disconnecter 3NH, 1-pole

特点

用于带压紧或不压紧接线板的 NH 型熔断体

- 符合标准 IEC 947-1 和 IEC 947 - 3。
- 额定电压：AC 690V / DC 440V
- 额定电流：160A、250A、400A / 630A、1250A
- 额定绝缘电压：尺寸 00 至 3 AC 750V，尺寸 4a AC 1000V
- 额定短路电流：AC 50kA，DC 25kA
- 运行状态时防护等级：IP 20，打开转动装置时防护等级：IP 10
- 垂直 / 水平安装
- 功耗：

|             |     |
|-------------|-----|
| 尺寸 00，160A  | 4W  |
| 尺寸 1，250A   | 5W  |
| 尺寸 3，630A   | 20W |
| 尺寸 4a，1250A | 32W |

- 带有搭接保护
- 载荷可分歺

NH 型熔断器底座

绝缘材料盖

NH 型熔断器转动装置

Features

- For LV HRC fuse links with non-insulated or insulated grip lugs
- According to EN 60 947-1 and EN 60 947-3
- Rated voltage: 690V AC/ 440V DC
- Rated currents: 160A, 250A, 400A/630A, 1250A
- Rated insulation voltage: size 00 to 3 AC 750V AC, size 4a 1000V AC
- Rated short-circuit current: 50kA AC eff, 25kA DC eff
- Degree of protection IP 20 in operational status, IP 10 with open slewing equipment
- Vertical/horizontal mounting position

- Degree of pollution 3
  - Power loss without dummy fuse link:
- |                |     |
|----------------|-----|
| Size 00, 160A  | 4W  |
| Size 1, 250A   | 5W  |
| Size 3, 630A   | 20W |
| Size 4a, 1250A | 32W |
- Overreaching protection
  - Disconnectable under load

LV HRC fuse base  
 molded plastic cover  
 LV HRC fuse slewing  
 equipment



选型和订货数据

Selection and order data

|   | 导线截面<br>mm <sup>2</sup><br>section of wire<br>mm <sup>2</sup> | 订货号<br>order-No. | 重量<br>(kg / 件)<br>weight / unit<br>kg | 包装<br>件<br>VPE<br>unit |
|---|---|------------------|---------------------------------------|------------------------|
| 制造等级 00，额定电流 160A / Size 00, rated current 160A                                     |   |                  |                                       |                        |
|  | 95<br>1 x 10 ~ 95<br><br>20mm x 10mm                          | 3NH7 030         | 1.000                                 | 1                      |
| 制造等级 1，额定电流 250A / Size 1, rated current 250A                                       |   |                  |                                       |                        |
|  | 150<br>1 x 25 ~ 150<br>30mm x 10mm                            | 3NH7 230         | 2.500                                 | 1                      |
| 制造等级 3，额定电流 630A / Size 3, rated current 630A                                       |   |                  |                                       |                        |
|  | 300<br>1 x 25 ~ 300<br>40mm x 10mm                            | 3NH7 330         | 4.800                                 | 1                      |
| 制造等级 4a，额定电流 1250A / Size 4a, rated current 1250A                                   |   |                  |                                       |                        |
|  | 300<br>1 x 120 ~ 300<br>1 x 90 ~ 185<br>2mm x 80mm x 5mm      | 3NH7 520         | 5.200                                 | 1                      |

请垂询有关附件，尺寸图见 10/8 页。

# NH 熔断器隔离开关 NH Fuse

胜特力材料 886-3-5753170  
胜特力电子(上海) 86-21-54151736  
胜特力电子(深圳) 86-755-83298787  
[Http://www.100y.com.tw](http://www.100y.com.tw)

## NH 型熔断器隔离开关 3NP4

## NH-protection-loadbreaker 3NP4

**特点**  
用于金属导向板和绝缘导向板的 NH 熔断器。

带挂钩的 NH 熔断器底座可直接安装在母线槽上。

- 符合标准 IEC 947-1 和 IEC 947-3。
- 额定电压：AC 690V / DC 440V
- 额定电流：160A、250A、400A / 630A、1250A
- 额定绝缘电压：尺寸 00 至 3 AC 750V，尺寸 4a AC 1000V
- 额定短路电流：AC 50kA，DC 25kA
- 运行状态时防护等级：IP 20，打开转动装置时防护等级：IP 10
- 垂直 / 水平安装
- 功耗：
- 尺寸 00，160A 4W
- 尺寸 1，250A 5W
- 尺寸 3，630A 20W
- 尺寸 4a，1250A 32W
- 带有搭接保护
- 载荷可分散

NH 熔断器母线槽安装底座  
绝缘材料盖  
NH 熔断器转动装置  
无孔母线槽  
有孔母线槽

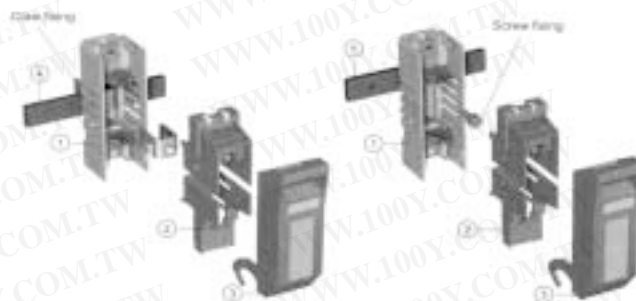
### Features

For LV HRC fuse links with non-insulated or insulated grip lugs. LV HRC fuse base with claw fixing for mounting on busbars

- According to EN 60 947-1 and EN 60-947-3
- Rated voltage: 690V AC/440V DC
- Rated currents: 160A, 250A, 400A/630A, 1250A
- Rated insulation voltage: size 00 to 3: 750V AC, size 4a: 1000V AC
- Rated short-circuit current: 50kA AC eff, 25kA DC eff
- Degree of protection IP 20 in operational status, IP 10 with open slewing equipment
- Vertical/horizontal mounting position
- Degree of pollution 3
- Power loss without dummy fuse link
- size 00, 160A 4W
- size 1, 250A 5W
- size 3, 630A 20W
- size 4a, 1250A 32W

- Overreaching protection
- Can be disconnected under load
- LV HRC bus-mounting fuse base
- Molded plastic cover

LV HRC fuse slewing equipment  
Non-perforated busbar  
Perforated busbar



### 选型和订货数据

### Selection and order data

|   | 导线截面<br>mm <sup>2</sup><br>section of wire<br>mm <sup>2</sup>  | 订货号<br>order-No.                   | 重量<br>(kg / 件)<br>weight / unit<br>kg | 包装<br>件<br>VPE<br>unit |
|---|--|------------------------------------|---------------------------------------|------------------------|
| <b>制造等级 00，额定电流 160A / Size 00, rated current 160A</b>                              |  |                                    |                                       |                        |
|  | 单极 / 1-pole<br>适用于无孔母线槽的挂钩固定型<br>with claw fixing for non-perforated busbar<br>适用于有孔母线槽的螺丝固定型<br>with screw fixing for perforated busbar<br>采用扁线连接 M8<br>with screw-type terminal connection M8<br>电缆接头套管 / Cable lug<br>扁平电缆最宽 25mm<br>25mm max. width flat bar                                       | 95<br>1 x 10 ~ 95<br>20mm x 10mm   | 3NH7 031<br>3NH7 032<br>1.000         | 3                      |
| <b>制造等级 1，额定电流 250A / Size 1, rated current 250A</b>                                |  |                                    |                                       |                        |
|  | 单极 / 1-pole<br>适用于无孔母线槽的挂钩固定型<br>with claw fixing for non-perforated busbar<br>适用于有孔母线槽的螺丝固定型<br>with screw fixing for perforated busbar<br>采用扁线连接 M10<br>with screw-type connection M10<br>电缆接头套管 / Cable lug<br>扁平电缆最宽 DIN 46 235 /<br>DIN 46 235 flat bar   | 150<br>1 x 25 ~ 50<br>30mm x 10mm  | 3NH7 231<br>3NH7 232<br>2.500         | 1                      |
| <b>制造等级 3，额定电流 630A / Size 3, rated current 630A</b>                                |  |                                    |                                       |                        |
|  | 单极 / 1-pole<br>适用于无孔母线槽的挂钩固定型<br>with claw fixing for non-perforated busbar<br>适用于有孔母线槽的螺丝固定型<br>with screw fixing for perforated busbar<br>也适用于 NH 型熔断体 / also suitable for LV HRC fuse links size 2, 400A<br>采用扁线连接 M10<br>with screw-type connection M10<br>电缆接头套管 / Cable lug<br>扁平电缆最宽 / flat bar | 300<br>1 x 25 ~ 300<br>40mm x 10mm | 3NH7 331<br>3NH7 332<br>4.800         | 1                      |

NH 型熔断器快速打开隔离开关 3NP3, 3NP5

NH-protection-loadbreaker 3NP3, 3NP5 with rapid activation

特点

- 符合标准 DIN VDE 0660 第 107 部分, 标准 IEC 947-1 和标准 IEC 947-3
- 额定工作电压: AC 690V
- 全封闭
- 耐气候性
- 3NP35: 无快速打开功能; 用于 21mm 宽的熔断体

勝特力材料 886-3-5753170  
勝特力电子(上海) 86-21-54151736  
勝特力电子(深圳) 86-755-83298787  
Http://www.100y.com.tw

选型和订货数据

Selection and order data

|   | $I_n$<br>A | 用于 NH 型<br>熔断体的<br>制造等级 | 导线截面<br>mm <sup>2</sup> | 订货号                              | 重量<br>(kg/件)   | 包装<br>件 |
|---|------------|-------------------------|-------------------------|----------------------------------|----------------|---------|
| 用于安装在配电盘、STAB/SIKUS 配电柜、8HP 配电箱   |            |                         |                         |                                  |                |         |
|  | 160        | 00                      | 1.5 到 35<br>(SIGUT 端子)  | 3NP35 30-0CH00                   | 0.500          | 1       |
|   | 160        | 00                      | 2.5 到 120<br>(扁平端子)     | 3NP50 60-0CA00<br>3NP50 60-0CA10 | 1.500          | 1       |
|   | 160        | 00                      | 2.5 到 50<br>(线夹)        | 3NP50 60-0CB00<br>3NP50 60-0CB10 | 1.707<br>1.780 | 1       |
|   | 250        | 0 和 1                   | 6 到 150<br>(扁平端子)       | 3NP52 60-0CA00<br>3NP52 60-0CA10 | 5.670<br>5.613 | 1       |
|   | 250        | 0 和 1                   | 35 到 120<br>(线夹)        | 3NP52 60-0CB00<br>3NP52 60-0CB10 | 5.643<br>5.814 | 1       |
|   | 400        | 1 和 2                   | 6 到 240<br>(扁平端子)       | 3NP53 60-0CA00<br>3NP53 60-0CA10 | 6.850<br>6.836 | 1       |
|   | 630        | 1 和 2                   | 6 到 2 x 240<br>(扁平端子)   | 3NP54 60-0CA00<br>3NP54 60-0CA10 | 7.934<br>8.100 | 1       |

附件

Accessories

|   | 用于熔断体器<br>隔离开关  | 导线截面<br>mm <sup>2</sup>            | 说明                   | 订货号                              | 重量<br>(kg/件)            | 包装<br>件 |
|---|---|------------------------------------|----------------------|----------------------------------|-------------------------|---------|
|  | 快速固定板<br>根据标准 DIN EN 50 022<br>两个汇流排间的距离: 125mm<br>3NP35 30, 3NP40 70<br>3NP42 70, 3NP50 60 |                                    | 3NY7 322<br>3NY1 995 | 0.120                            | 1                       |         |
|   | 3NP35, 3NP40-44 辅助开关  |                                    |                      | 3NY3 035                         | 0.010                   | 1       |
|   | 三路端子<br>3NP40 1 和 3NP40 7<br>3NP40 1  | 2.5 到 16                           | 用于添加机架端子<br>用于添加扁平端子 | 3NY7 102<br>3NY7 105             | 0.120<br>0.200          | 3       |
|   | 输入端子<br>3NP35 和 3NP40 1   | 25 到 95                            |                      | 3NY1 236                         | 0.180                   | 3       |
|   | 连接端子<br>3NP42<br>3NP43<br>3NP44   | 70 到 150<br>120 到 240<br>150 到 300 |                      | 3NY7 120<br>3NY7 130<br>3NY7 140 | 0.200<br>0.300<br>0.400 | 3       |
|   | 三相汇流排 90mm=5TE<br>3NP35 和 3NP40 1   | 用于两个隔离开关<br>用于三个隔离开关<br>连接汇流排      |                      | 3NY1 237<br>3NY1 238<br>3NY1 263 | 0.210<br>0.350<br>0.210 | 1       |
|   | 手柄<br>灰色, 标签  | 用于 3NP40 1<br>用于 3NP40 7           |                      | 3NY7 003<br>3NY7 001             | 0.150<br>0.193          | 1       |

详细的设备说明、盖和绝缘材料罩见目录 NS K。尺寸图见 10/9 至 10/12 页。



特性曲线

Characteristic curves

NH 型熔断体  
LV HRC Fuse Links

型号 / Range  
3NA3 8

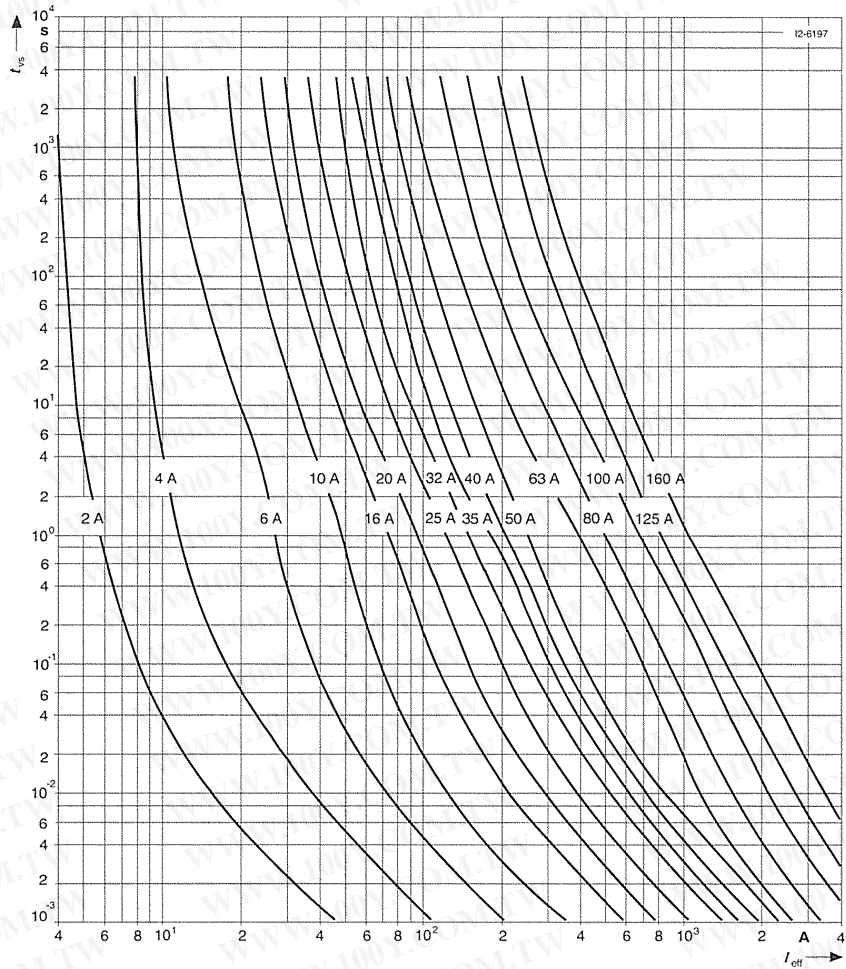
制造等级 / Size  
00

运行类别 / Operating class  
gL / gG

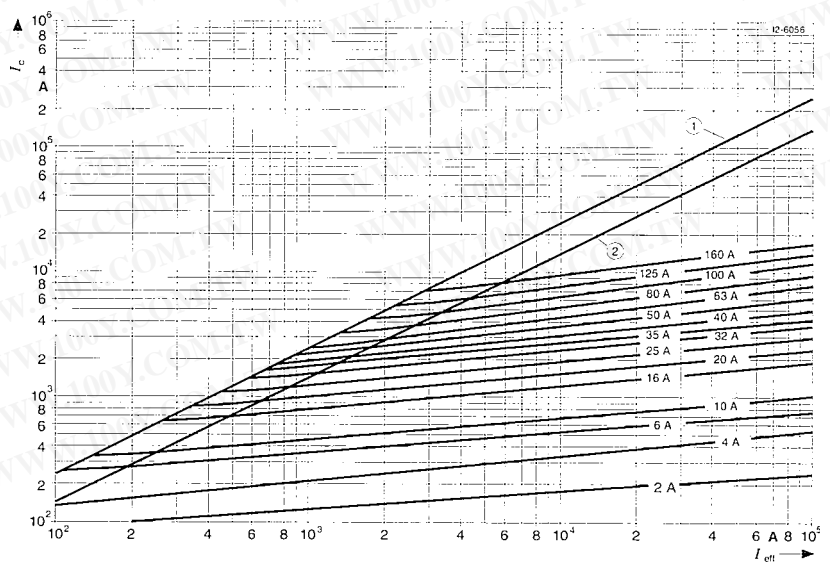
额定电压 / Rated voltage  
AC 500V / DC 250V

额定电流 / Rated current  
2 - 160A

时间 - 电流特性图  
Time-current characteristic chart



极限电流图  
Peak let-through current chart



勝特力材料 886-3-5753170  
 勝特力电子(上海) 86-21-54151736  
 勝特力电子(深圳) 86-755-83298787  
[Http://www.100y.com.tw](http://www.100y.com.tw)

特性曲线

Characteristic curves

NH 型熔断体  
LV HRC Fuse Links

型号 / Range  
3NA3 6

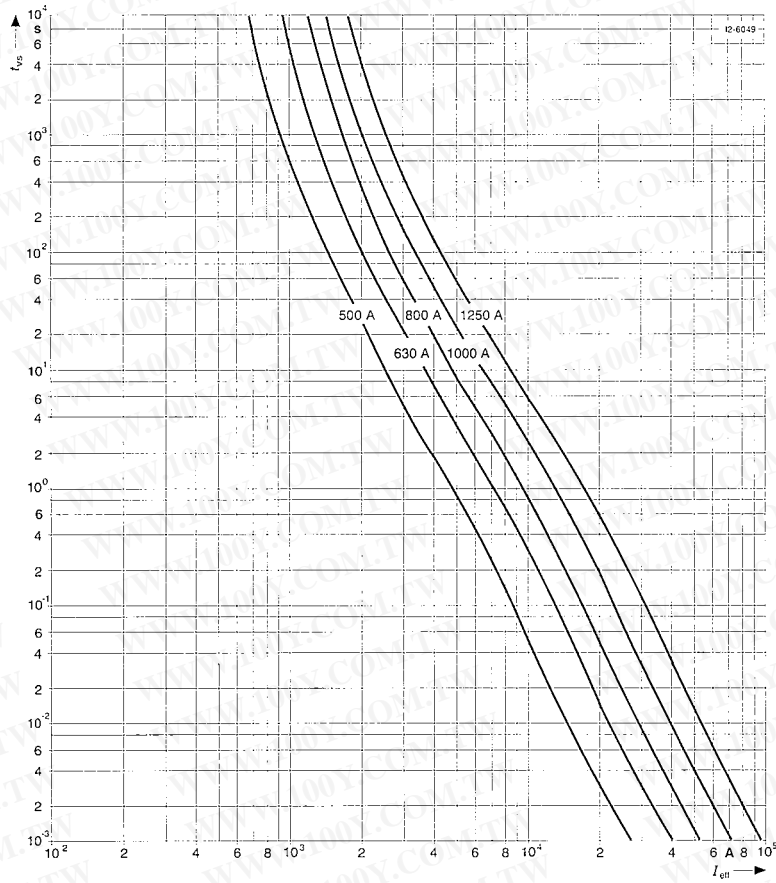
制造等级 / Size  
4a

运行类别 / Operating class  
gL / gG

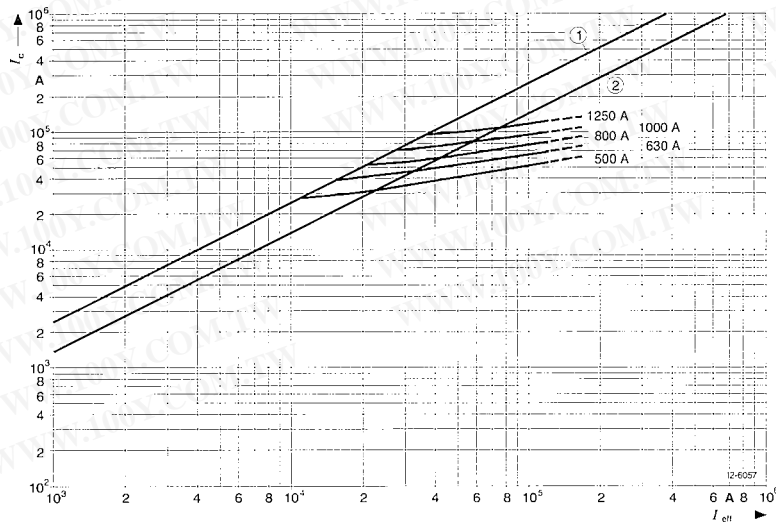
额定电压 / Rated voltage  
AC 500V / DC 440V

额定电流 / Rated current  
500 - 1250A

时间 - 电流特性图  
Time-current characteristic chart



极限电流图  
Peak let-through current chart



勝特力材料 886-3-5753170  
勝特力电子(上海) 86-21-54151736  
勝特力电子(深圳) 86-755-83298787  
[Http://www.100y.com.tw](http://www.100y.com.tw)

# 特性曲线 Characteristic Curves

特性曲线

Characteristic curves

NH 型熔断体  
LV HRC Fuse Links

型号 / Range  
3NA3 6

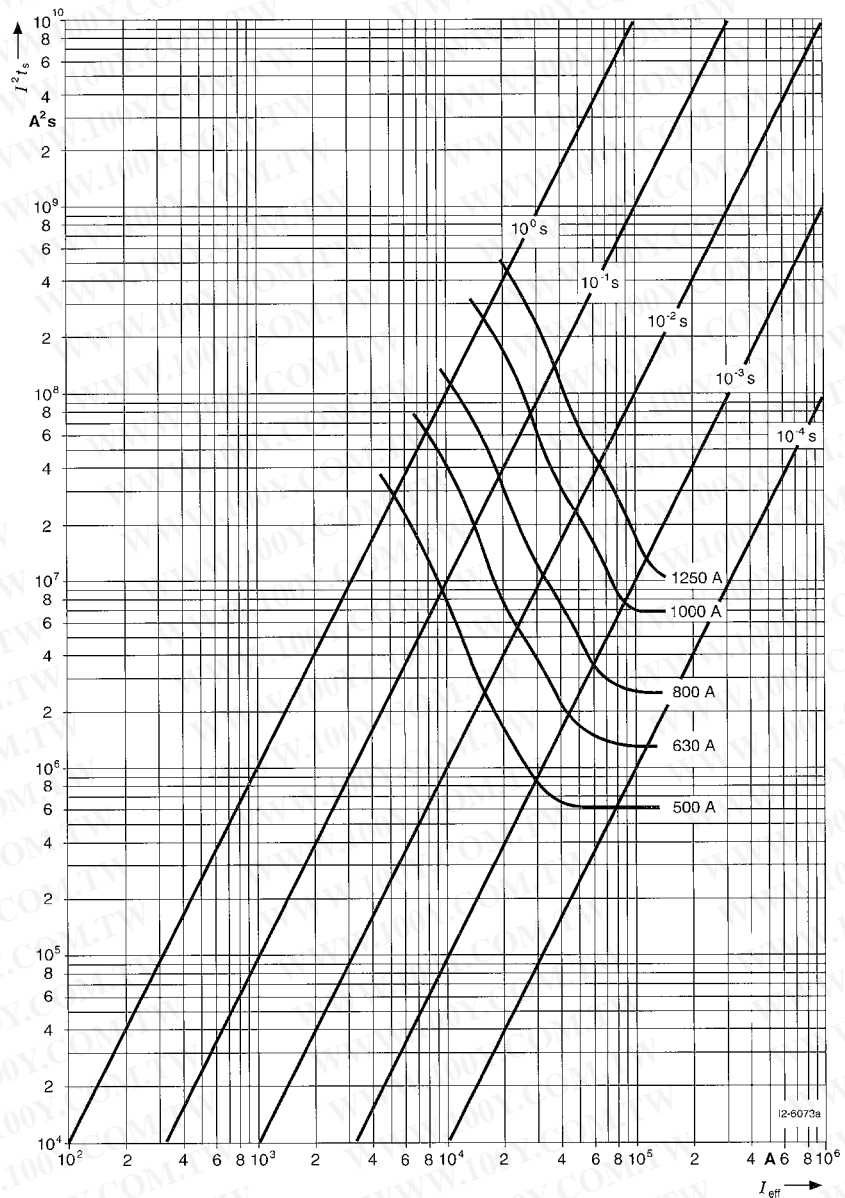
制造等级 / Size  
4a

运行类别 / Operating class  
gL / gG

额定电压 / Rated voltage  
AC 500V / DC 440V

额定电流 / Rated current  
500 - 1250A

熔化  $I^2t_s$  值图  
 $I^2t_s$  pre-arcing value chart



**勝特力材料 886-3-5753170**  
**勝特力电子(上海) 86-21-54151736**  
**勝特力电子(深圳) 86-755-83298787**  
[Http://www.100y.com.tw](http://www.100y.com.tw)

| 型号<br>Range | $I_n$<br>A | $P_v$<br>W | $\Delta v$<br>K | $I^2t_s$<br>1ms<br>A²s | $I^2t_s$<br>4ms<br>A²s | $I^2t_s$<br>AC 230V<br>A²s | $I^2t_s$<br>AC 400V<br>A²s | $I^2t_s$<br>AC 500V<br>A²s |
|-------------|------------|------------|-----------------|------------------------|------------------------|----------------------------|----------------------------|----------------------------|
| 3NA3 665    | 500        | 43         | 30              | 785000                 | 1270000                | 1915000                    | 2260000                    | 2700000                    |
| 3NA3 672    | 630        | 47         | 37              | 1900000                | 2700000                | 3630000                    | 4340000                    | 5400000                    |
| 3NA3 675    | 800        | 59         | 43              | 3480000                | 5620000                | 7210000                    | 8510000                    | 10400000                   |
| 3NA3 680    | 1000       | 74         | 56              | 7920000                | 10400000               | 13600000                   | 16200000                   | 19000000                   |
| 3NA3 682    | 1250       | 99         | 65              | 11880000               | 18000000               | 23900000                   | 29100000                   | 34800000                   |



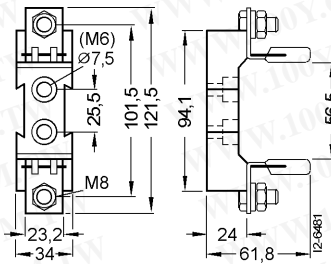
外形尺寸  
Dimension Drawing

NH 熔断器底座

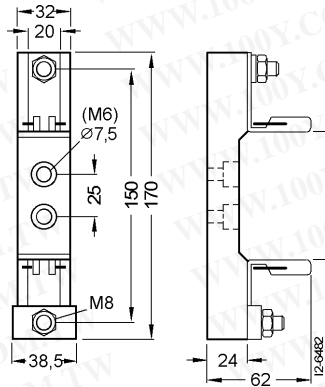
勝特力材料 886-3-5753170  
勝特力电子(上海) 86-21-54151736  
勝特力电子(深圳) 86-755-83298787  
[Http://www.100y.com.tw](http://www.100y.com.tw)

HRC NH Fuses bases

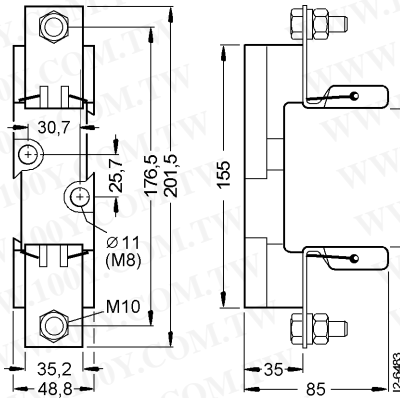
单级  
Single-pole



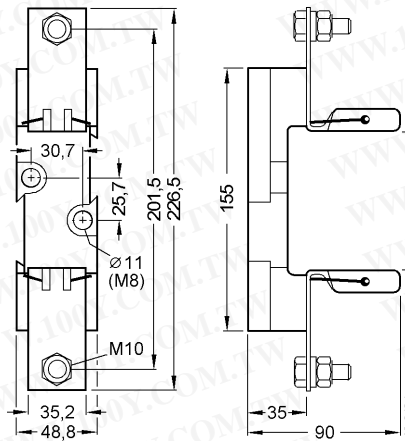
制造等级 00, Size 00/160 A  
3NH3 03.



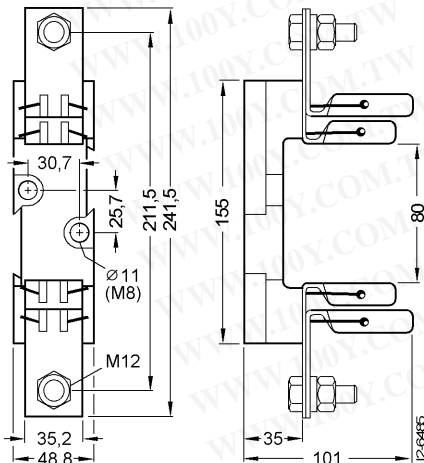
制造等级 0, Size 0/160 A  
3NH3 12.



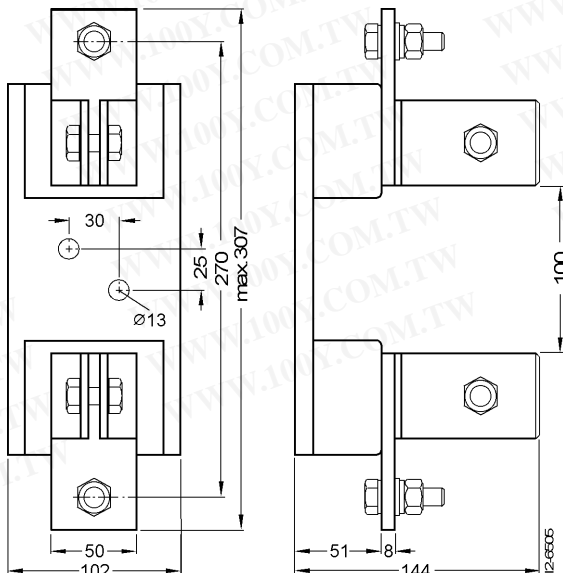
制造等级 1, Size 1/250 A  
3NH3 230, 3NH3 220



制造等级 2, Size 2/400 A  
3NH3 330, 3NH3 320



制造等级 3, Size 3/630 A  
3NH3 4..



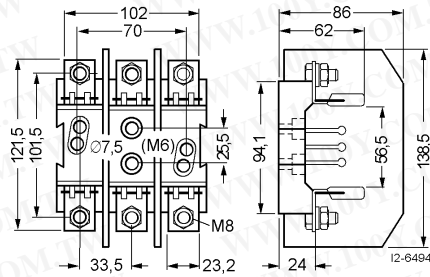
制造等级 4, Size 4/1000 A  
3NH3 530

勝特力材料 886-3-5753170  
 勝特力电子(上海) 86-21-54151736  
 勝特力电子(深圳) 86-755-83298787  
[Http://www.100y.com.tw](http://www.100y.com.tw)

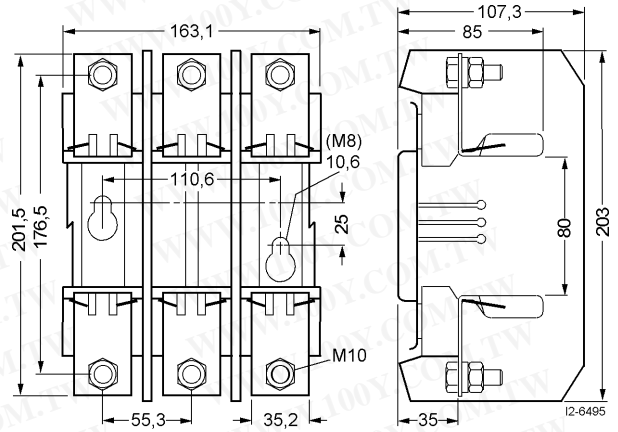
外形尺寸  
 Dimension Drawing  
 HRC NH Fuses bases

NH 熔断器底座

3 级  
 Triple-pole



制造等级 00, Size 00/160 A  
 3NH4 03.

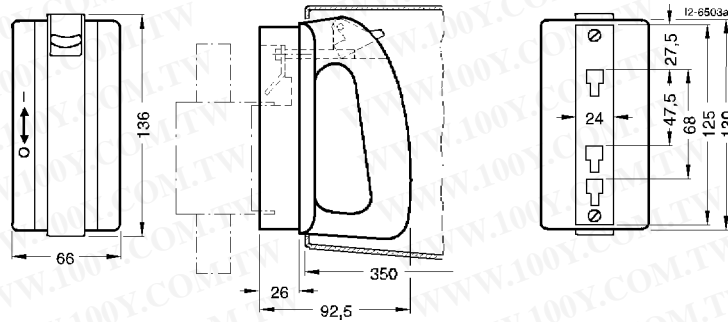


制造等级 1, Size 1/250 A  
 3NH4 230

NH 刀型熔断器底座附件

Accessories for HRC Knife-Fuses NH bases

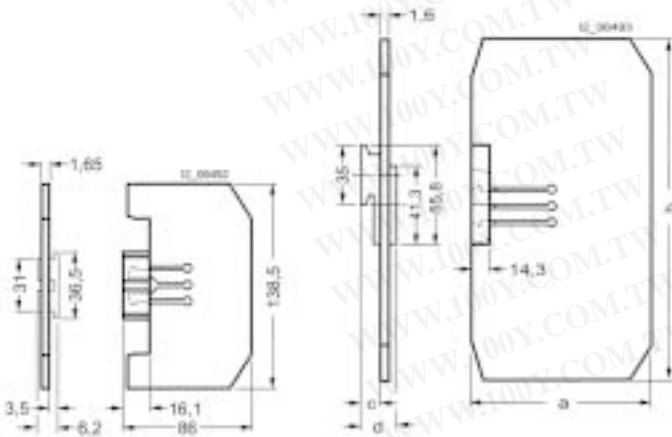
熔断器插拔手柄  
 Fuse puller



制造等级 00-4, Size 00 to 4  
 3NX1 011-2C, 3NX1 012

3NX2 0 NH 熔断器隔相板

3NX2 0 LV HRC phase and end barriers



制造等级 00, Size 00

制造等级 0, 1, 2, 3, Size 0, 1, 2, 3

| 制造等级 / Size | 型号 / Type | 尺寸 / Dimension |       |      |      |
|-------------|-----------|----------------|-------|------|------|
|             |           | a              | b     | c    | d    |
| 0           | 3NX2 030  | 87.6           | 178.5 | 7.7  | 12.3 |
| 1           | 3NX2 024  | 107.3          | 202.5 | 7.7  | 12.3 |
| 2           | 3NX2 025  | 115.3          | 227.5 | 14.2 | 25.1 |
| 3           | 3NX2 026  | 129.8          | 242   | 20.2 | 37.2 |

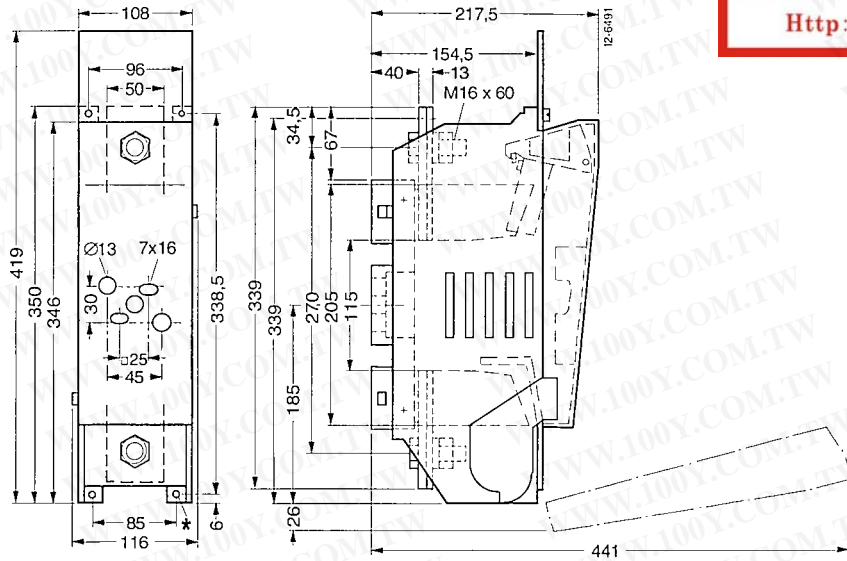
# 外形尺寸 Dimension Drawing

尺寸图

Dimension drawings

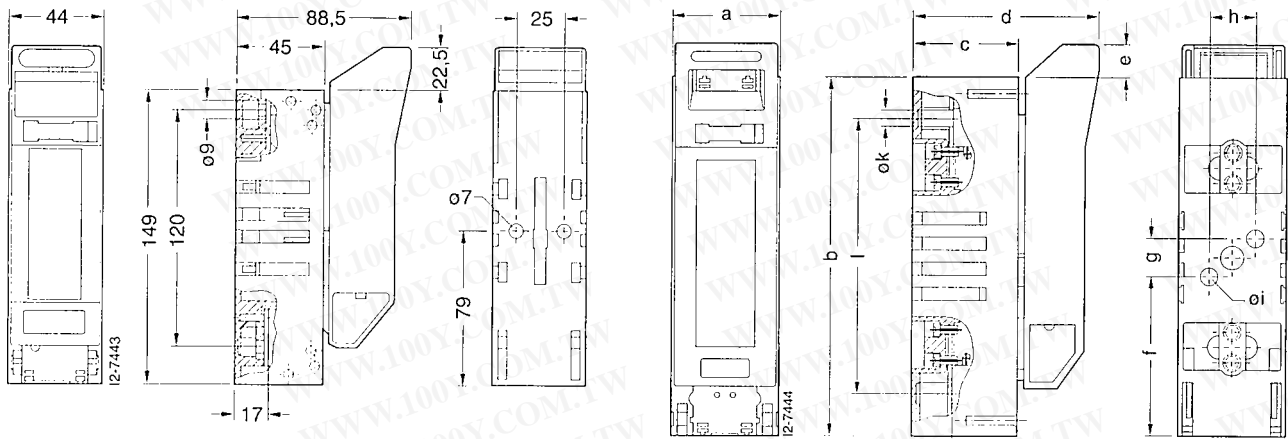
NH 型熔断器隔离开关 / NH-fuse-disconnector  
 NH 型熔断器隔离开关 3NH7 型, NH-fuse-Disconnector 3NH7  
 单极 / 1-pole  
 制造等级 4a/1250A / Size 4a/1250A  
 3NH7 5

勝特力材料 886-3-5753170  
 勝特力电子(上海) 86-21-54151736  
 勝特力电子(深圳) 86-755-83298787  
[Http://www.100y.com.tw](http://www.100y.com.tw)



制造等级 00/125A / Size 00/125A

制造等级 1/250A / Size 1/125A  
 制造等级 3/630A / Size 3/125A



NH 型熔断器隔离开关  
 NH-fuse-disconnector

尺寸 / Dimension

| 制造等级 / Size | 型号 / Type | a  | b   | c  | d     | e    | f     | g  | h  | i    | k    | l     | m    |
|-------------|-----------|----|-----|----|-------|------|-------|----|----|------|------|-------|------|
| 1           | 3NH7 230  | 68 | 230 | 68 | 123.5 | 23   | 102.5 | 25 | 30 | 10.5 | 10.5 | 177   | 25   |
| 3           | 3NH7 330  | 90 | 270 | 96 | 153.5 | 15.5 | 122.5 | 25 | 30 | 10.5 | 10.5 | 220.5 | 30.5 |