

LP-2.0, LP-2.5, LP-3.0, LP-3.5

DIP



TYPICAL APPLICATIONS

Computer clocks, Video cameras, HDD and Audio equipment

FEATURES

The LP series is a highly reliable resistance-weld sealing is adopted to assure high realization, designed according to the requirement of reducing the height.

TYPICAL SPECIFICATIONS

Type	LP-3.5/LP-3.0/LP-2.5		LP-2.0	
Nominal frequency range	3.5~26MHz	26~80MHz	10~26MHz	26~80MHz
Vibration Mode	Fundamental	3rd overtone	Fundamental	3rd overtone [AT]
Frequency tolerance (at +25°C)	$\pm 50 \times 10^{-6}$			
Freq. temperature characteristics	$\pm 50 \times 10^{-6}$			
Operating temperature range	-10°C~+70°C (-40°C~+85°C)			
Equivalent series resistance	See Table 1			
Load capacitance	Series, 10pF, 12pF, 16pF			
Shunt capacitance	5pF MAX.			
Level of drive	10μW (100μW MAX)			
Storage temperature range	-40°C~+90°C			

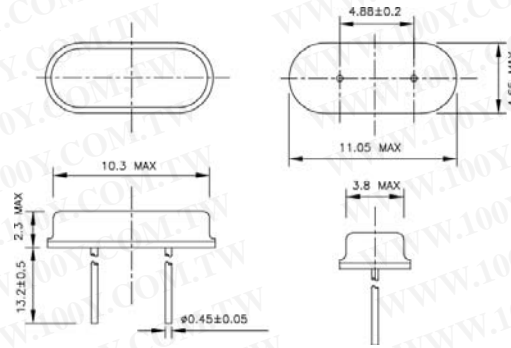
* Please consult with us for other specification.

* Packing quantity 1,000 pcs.

OUTLINE DIMENSIONS

Unit:mm

勝特力材料 886-3-5753170
 勝特力电子(上海) 86-21-54151736
 勝特力电子(深圳) 86-755-83298787
[Http://www.100y.com.tw](http://www.100y.com.tw)



Holder	H
LP-2.0	2.0
LP-2.5	2.5
LP-3.0	3.0
LP-3.5	3.5

EQUIVALENT SERIES RESISTANCE (ESR)

LP-2.0		LP-2.5/LP-3.0/LP-3.5	
Fundamental		Fundamental	
Frequency (MHz)	ESR (Ω)	Frequency (MHz)	ESR (Ω)
10.000~11.999	70	3.500~3.799	180
12.000~15.999	60	3.800~4.499	150
16.000~19.999	50	4.500~5.999	120
20.000~26.000	40	6.000~7.999	100
		8.000~9.999	80
		10.000~11.999	70
		12.000~15.999	60
		16.000~19.999	50
		20.000~26.000	40
		3rd Overtone	
		Frequency (MHz)	ESR (Ω)
		26.000~39.999	100
		40.000~80.000	80