

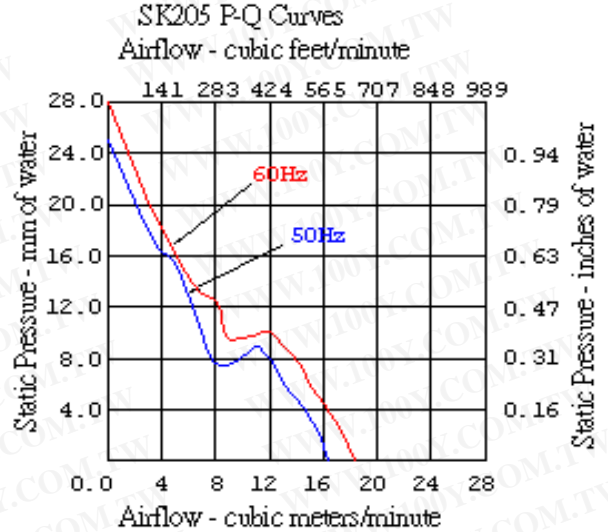
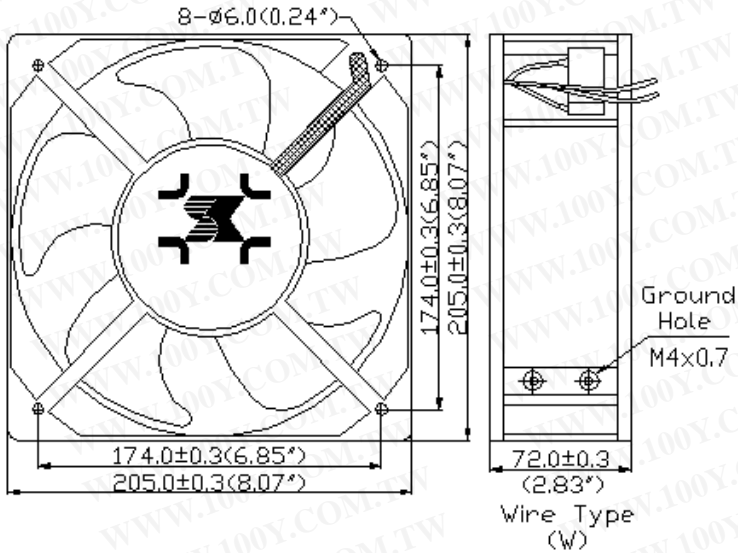


AC FAN SK205AP

205x205x72mm(8")

647~580 CFM

勝特力材料 886-3-5753170
 勝特力电子(上海) 86-21-54151736
 勝特力电子(深圳) 86-755-83298787
[Http://www.100y.com.tw](http://www.100y.com.tw)



- Motor** : Single phase induction capacitor motor
thermally protected, impedance protected
- Housing / Frame** : Die-cast aluminum, Painted black (AP)
- Impeller** : Glass reinforced thermoplastic, UL 94V-0
- Bearing Type** : Two-ball Bearing
- Connecting** : W-Lead wire type
- Dielectric Strength** : 1 min. at 1,500VAC, 50/60Hz
- Operating Temp** : -20°C~+80°C
- Life Expectancy** : 60,000 hours at 60°C
- Net Weight** : 2.1 kg (4.6 pounds) ± 10%
- Safety Approvals** : UL, CUL (E202962), TUV,CE (3-500007496)



型號 Model No.	電壓 Rated VAC	電壓範圍 Voltage Range VAC	頻率 Freq. Hz	功率 Rated Input Watt	轉速 Rated Speed RPM	最大風量 Max. Air Flow		最大風壓 Max. Static Pressure		噪音 Noise (dB)
						m³/min	CFM	mm-H₂O	inch-H₂O	
SK205AP-11-1	110	70~120	50/60	54.3/57.2	2880/3400	16.4/18.3	580/647	25/28	.98/1.1	60±2
SK205AP-22-1	220	150~240		54.3/57.6	2860/3350	16.4/18.3	580/647	25/28	.98/1.1	60±2