



●ネジ端子形標準品

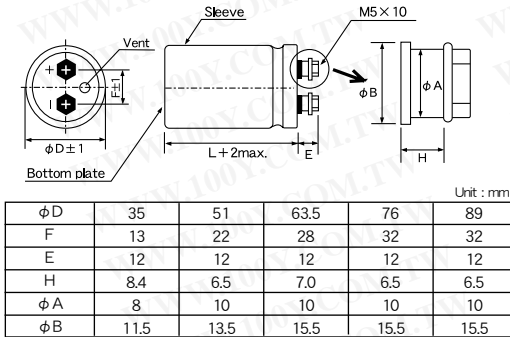
SLシリーズ

JIS C5101
CE-33

■特徴

- 産業用機器の大形電源、インバータ等を用途として開発したネジ端子形の大容量の製品です。
- 従来品より一段と小形化されておりますが、定格リップル電流は同一水準になっております。

■寸法図/DIAGRAM OF DIMENSIONS



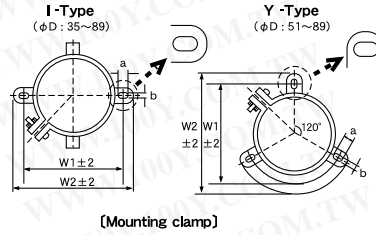
●SCREW TERMINAL STANDARDIZED TYPE

TYPE SL

JIS C5101
CE-33

■FEATURES

- This is large capacitance product developed for use in power supply, inverter, etc. for industrial equipment.
- Although this product is made compact much more than the conventional ones, its rated ripple current is on the same level as that of the conventional one.



Clamp type	I				Y			
	a	b	W1	W2	a	b	W1	W2
35	6.0	3.2	50	62	-	-	-	-
51	6.0	4.5	68	80	4.5	7.0	63.5	73
63.5	6.0	4.5	81	93	4.5	7.0	76.2	85.1
76	6.0	4.5	93.5	106	4.5	7.0	88.9	98.4
89	7.0	5.0	108	120.5	4.5	7.0	101.6	111.1

■性能/PERFORMANCE SPECIFICATIONS

カテゴリ温度範囲	CATEGORY TEMPERATURE RANGE	-40°C~+85°C (≥315WV: -25°C~+85°C)
標準静電容量許容差	STANDARD CAPACITANCE TOLERANCE	-20%~+20% (25°C, 120Hz)
漏れ電流(最大値)	LEAKAGE CURRENT (MAX. VALUE)	I=0.02CV OR 5mA WHICHEVER IS THE SMALLER (at 25°C, after 5 minutes) C=RATED CAPACITANCE (μF) V=WORKING VOLTAGE (V)
損失角の正接(最大値)(25°C, 120Hz)	DISSIPATION FACTOR (MAX. VALUE) (25°C, 120Hz)	REFER TO CASE SIZE TABLES.
耐久性 85°C 2000時間 定格使用電圧印加	ENDURANCE APPLICATION OF RATED OPERATING VOLTAGE, AT 85°C FOR 2000HOURS.	CAPACITANCE CHANGE: LESS THAN 20% OF THE INITIAL MEASURED VALUE. DISSIPATION FACTOR: LESS THAN 200% OF THE INITIAL SPECIFIED VALUE. LEAKAGE CURRENT: LESS THAN THE INITIAL SPECIFIED VALUE.
その他の特性はJIS C5101-4に準ずる	THE OTHER CHARACTERISTICS	THE OTHER CHARACTERISTICS ARE BASED ON JIS C 5101-4

■定格リップル電流補正係数

リップル周波数が標準品一覧表の規定値と異なる場合には、下表の係数を乗じた値以下でご使用下さい。

When the ripple frequency differs from the specification shown in the list of standard products, multiply the value with the coefficient shown below, and use the products under the obtained value.

周波数補正係数/FREQUENCY CORRECTION FACTOR

W.V	f(Hz)	50	120	300	1K	3K	5K	10K
10~50		0.95	1.0	1.04	1.10	1.12	1.13	1.15
63~100		0.95	1.0	1.06	1.16	1.20	1.25	1.30
160~200		0.90	1.0	1.10	1.20	1.35	1.40	1.50
250~450		0.80	1.0	1.10	1.20	1.35	1.40	1.50

■CASE SIZE CODE

L	58	63	72	80	90	100	115	120	130	140	160
φD	A5	A6	A7	A8	A9	A10	A11	A12	-	-	-
51	-	C6	C7	C8	C9	C10	C11	C12	C13	-	-
63.5	-	-	D7	D8	D9	D10	D11	D12	D13	D14	-
76	-	-	-	E8	E9	E10	E11	E12	E13	E14	E16
89	-	-	-	F8	F9	F10	F11	F12	F13	F14	F16

■品番ご指定法/HOW TO SPECIFY ITEM NUMBER FOR TYPE SL

例/Example

160W.V

2C

定格電圧
Rating Voltage

例/Example

W.V	SYMBOL
80	1K
100	2A
160	2C
180	2P
200	2D

SL series

SL

シリーズ名
Series Name

例/Example

静電容量 RATED Cap.μF	記号 SYM- BOL	静電容量 RATED Cap.μF	記号 SYM- BOL
68	680	1200	122
82	820	1500	152
180	181	3300	332
270	271	12000	123

22000μF

223

静電容量記号
Capacitance
Symbol

±20%

M

容量許容差
Capacitance
tolerance

±10%=K
±20%=M

φ89×90L

F9

サイズコード
Case size code

例/Example

φD×L	CODE
35×58	A5
51×90	C9
63.5×120	D12
76×80	E8
89×160	F16

Y-type

Y

金具オプション
Clamp Option

不要=N
Without clamp
I型金具=I
With I-type clamp
Y型金具=Y
With Y-type clamp



■寸法表/CASE SIZE TABLE

■Ripple current [Max. Value A] at 85°C 120Hz.

Table with columns for W.V, μF, and case sizes 10 (1A), 16 (1C), and 25 (1E). Rows list capacitance values from 15000 to 82000 μF.

Table with columns for W.V, μF, and case sizes 35 (1V), 50 (1H), and 63 (1J). Rows list capacitance values from 3900 to 47000 μF.

Table with columns for W.V, μF, and case sizes 80 (1K) and 100 (2A). Rows list capacitance values from 1800 to 150000 μF.

Case size code

tan δ (25°C, 120Hz)

Ripple current



■寸法表/CASE SIZE TABLE

■Ripple current [Max. Value A] at 85°C 120Hz.

Table with columns for W.V, μF, and case sizes 160 (2C), 180 (2P), and 200 (2D). Rows list capacitance values from 1000 to 39000 μF.

Table with columns for W.V, μF, and case sizes 250 (2E), 315 (2F), and 350 (2V). Rows list capacitance values from 390 to 22000 μF.

Table with columns for W.V, μF, and case sizes 400 (2G) and 450 (2W). Rows list capacitance values from 270 to 10000 μF.

Case size code

tan δ (25°C, 120Hz)

Ripple current

- この寸法表にないカスタム製品も製造いたしますので、御相談下さい。
●Produce custom products too, which are not found in these tables.
●105°C品はSLWシリーズです。仕様をお問い合わせ下さい。
●This type for 105°C use is SLW series, please make inquiries about the specifications.