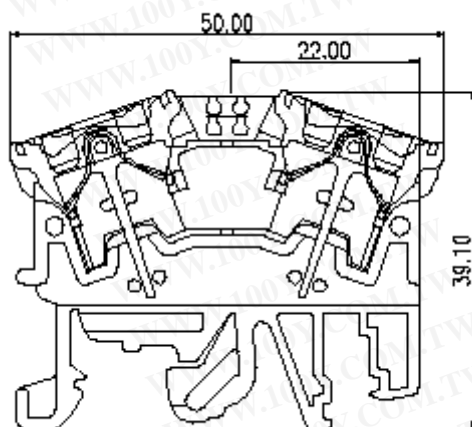


# SL1.5/6 - Screw type / Din Rail screw type TB

Rated (UL)	600V / 16A
(IEC)	600V / 10A
Suitable Wire	20 ~ 16 AWG (1.5mm <sup>2</sup> )
Torque Value	4 kg-cm
Material	Polyamide, UL 94(V0)
Screw Size	M 2.5
Rail Type	TS-35, TS-32
Temperature	-40C ° ~ +105C °
Thickness	6.0mm



勝特力材料 886-3-5753170  
 勝特力电子(上海) 86-21-54151736  
 勝特力电子(深圳) 86-755-83298787  
[Http://www.100y.com.tw](http://www.100y.com.tw)