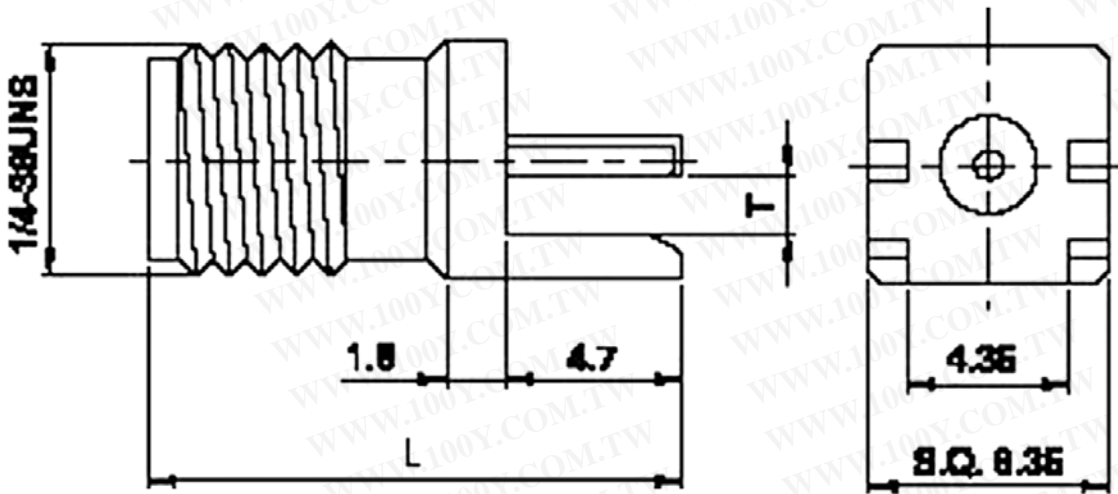
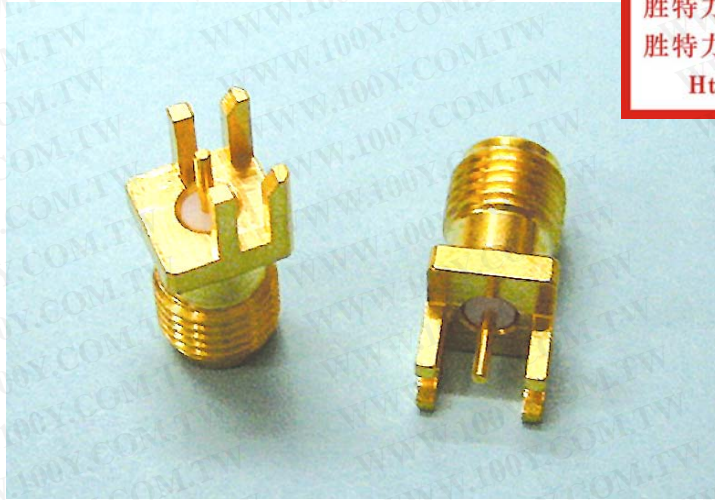


SMA JACK PCB MOUNT SMA8401A-0000

勝特力材料 886-3-5753170
 勝特力电子(上海) 86-21-54151736
 勝特力电子(深圳) 86-755-83298787
[Http://www.100y.com.tw](http://www.100y.com.tw)



Part Number	Measurements	Weight	Material	Suitable Cables
SMA8401-0000	L=14.2 L1=4.7 T=1.73	1.52	B1	T=P.C.B. Thickness in mm
SMA8401A-0000	L=13.4 L1=3.9 T=1.59	1.52	B1	T=P.C.B. Thickness in mm
SMA8401B-0000	L=14.2 L1=4.7 T=1.22	1.52	B1	T=P.C.B. Thickness in mm