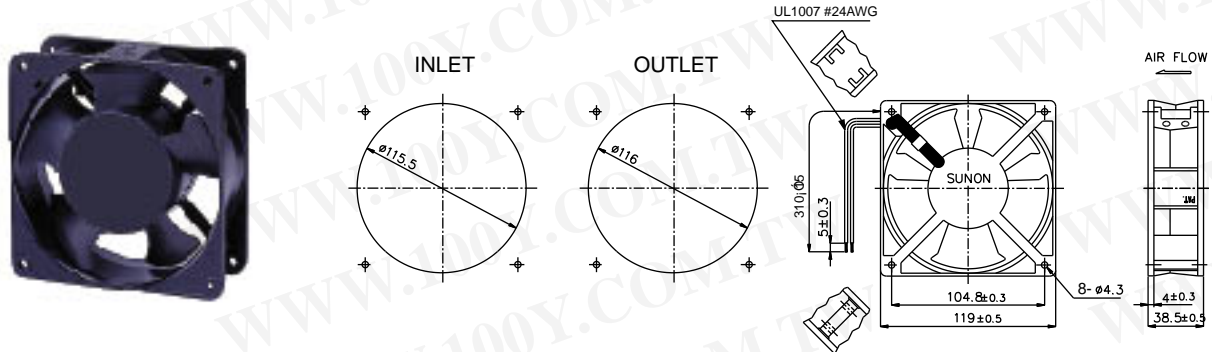


# 120x120x38 mm

**勝特力材料 886-3-5753170**  
**勝特力电子(上海) 86-21-54151736**  
**勝特力电子(深圳) 86-755-83298787**  
[Http://www.100y.com.tw](http://www.100y.com.tw)

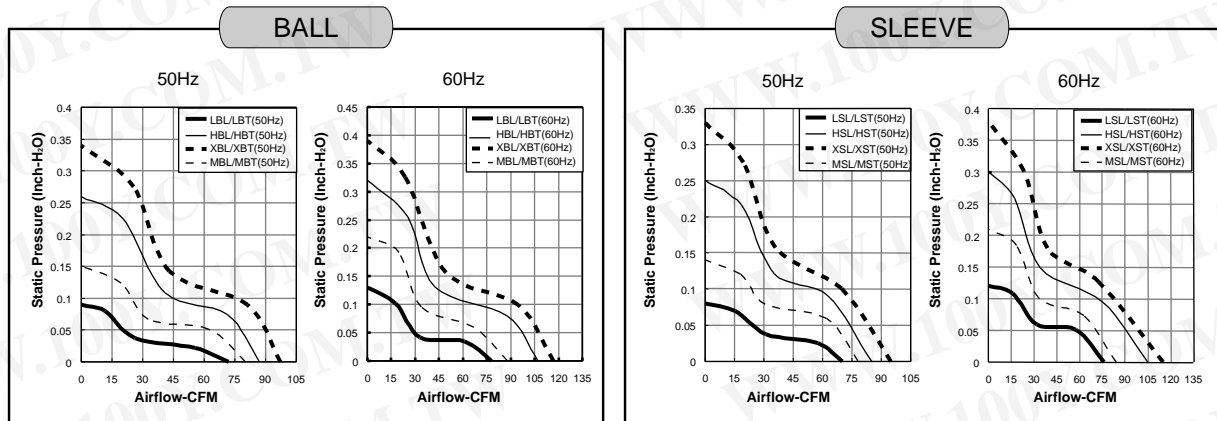
Bearing Type :Ball / Sleeve bearing  
 Air Flow:70-117CFM



## AC Series

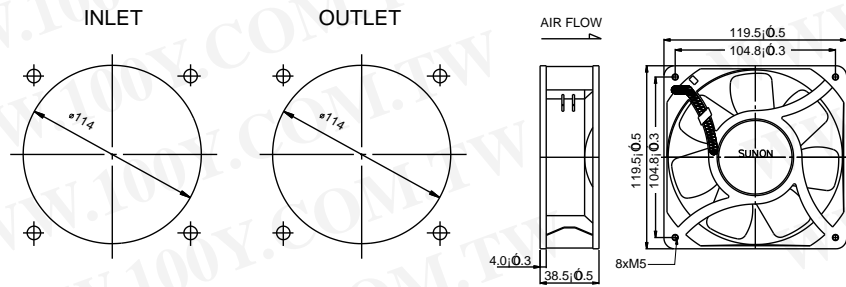
Model	P/N	Bearing ◎ SLEEVE ○ BALL	Rating Voltage (VAC)	Frrq. (Hz)	Power Current (AMP)	Power Consumption (WATTS)	Speed (RPM)	Air Flow (CFM)	Static Pressure (Inch-H <sub>2</sub> O)	Noise (dBA)	Weight (g)
SP100A	1123XSL	◎	115	50/60	0.26/0.24	22/20	2700/3100	95/115	0.33/0.38	44/49	550
SP100A	1123XST	◎	115	50/60	0.26/0.24	22/20	2700/3100	95/115	0.33/0.38	44/49	550
SP101A	1123HSL	◎	115	50/60	0.21/0.18	20/18	2550/2900	85/105	0.25/0.30	43/48	550
SP101A	1123HST	◎	115	50/60	0.21/0.18	20/18	2550/2900	85/105	0.25/0.30	43/48	550
SP102A	1123MSL	◎	115	50/60	0.17/0.16	15/15	2400/2600	78/84	0.14/0.21	33/38	543
SP102A	1123MST	◎	115	50/60	0.17/0.16	15/15	2400/2600	78/84	0.14/0.21	33/38	543
SP103A	1123LSL	◎	115	50/60	0.13/0.11	11/11	2000/2200	70/76	0.08/0.12	36/38	550
SP103A	1123LST	◎	115	50/60	0.13/0.11	11/11	2000/2200	70/76	0.08/0.12	36/38	550
SP100A	1123XBL	○	115	50/60	0.26/0.24	22/20	2850/3150	97/117	0.34/0.39	45/50	550
SP100A	1123XBT	○	115	50/60	0.26/0.24	22/20	2850/3150	97/117	0.34/0.39	45/50	550
SP101A	1123HBL	○	115	50/60	0.21/0.18	20/18	2750/3050	87/107	0.26/0.32	45/50	550
SP101A	1123HBT	○	115	50/60	0.21/0.18	20/18	2750/3050	87/107	0.26/0.32	45/50	550
SP103A	1123LBL	○	115	50/60	0.13/0.11	11/11	2150/2300	72/78	0.09/0.13	37/39	550
SP103A	1123LBT	○	115	50/60	0.13/0.11	11/11	2150/2300	72/78	0.09/0.13	37/39	550
DP200A	2123XSL	◎	220/240	50/60	0.14/0.12	22/21	2700/3100	95/115	0.33/0.38	44/49	543
DP200A	2123XST	◎	220/240	50/60	0.14/0.12	22/21	2700/3100	95/115	0.33/0.38	44/49	543
DP201A	2123HSL	◎	220/240	50/60	0.125/0.11	20/19	2550/2900	85/105	0.25/0.30	43/48	550
DP201A	2123HST	◎	220/240	50/60	0.125/0.11	20/19	2550/2900	85/105	0.25/0.30	43/48	550
DP203A	2123LSL	◎	220/240	50/60	0.06/0.05	11/10	2000/1800	70/63	0.08/0.07	36/32	550
DP203A	2123LST	◎	220/240	50/60	0.06/0.05	11/10	2000/1800	70/63	0.08/0.07	36/32	550
DP200A	2123XBL	○	220/240	50/60	0.14/0.12	22/21	2850/3150	97/117	0.34/0.39	45/50	550
DP200A	2123XBT	○	220/240	50/60	0.14/0.12	22/21	2850/3150	97/117	0.34/0.39	45/50	550
DP201A	2123HBL	○	220/240	50/60	0.125/0.11	20/19	2750/3050	87/107	0.26/0.32	45/50	550
DP201A	2123HBT	○	220/240	50/60	0.125/0.11	20/19	2750/3050	87/107	0.26/0.32	45/50	550
DP202A	2123MBL	○	220/240	50/60	0.09/0.08	16/15	2400/2600	78/84	0.14/0.21	34/39	543
DP202A	2123MBT	○	220/240	50/60	0.09/0.08	16/15	2400/2600	78/84	0.14/0.21	34/39	543
DP203A	2123LBL	○	220/240	50/60	0.08/0.06	10/10	2150/2300	72/78	0.09/0.13	37/39	550
DP203A	2123LBT	○	220/240	50/60	0.08/0.06	10/10	2150/2300	72/78	0.09/0.13	37/39	550

Specifications subject to change without notice



# 120x120x38 mm (High Air Flow)

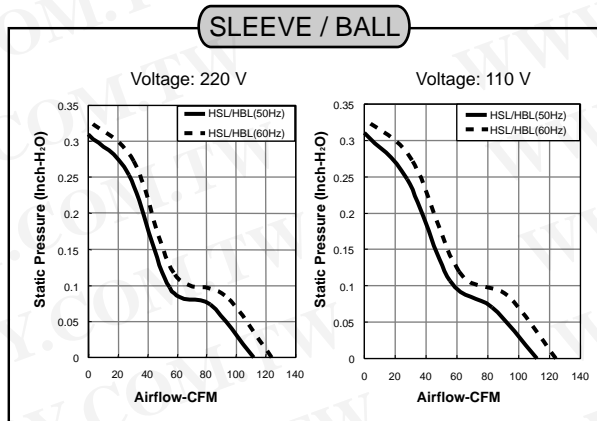
Bearing Type :Ball / Sleeve bearing  
Air Flow:112-124CFM



## AC Series

Model	P/N	Bearing ◎ SLEEVE ○ BALL	Rating Voltage (VAC)	Frrq. (Hz)	Power Current (AMP)	Power Consumption (WATTS)	Speed (RPM)	Air Flow (CFM)	Static Pressure (Inch-H <sub>2</sub> O)	Noise (dBA)	Weight (g)
A1123-HSL		◎	115	50/60	0.28/0.25	23/21	2500/2750	112/124	0.31/0.33	43/46	536
A1123-HST		◎	115	50/60	0.28/0.25	23/21	2500/2750	112/124	0.31/0.33	43/46	536
A1123-HBL		○	115	50/60	0.28/0.25	23/21	2500/2750	112/124	0.31/0.33	44/47	536
A1123-HBT		○	115	50/60	0.28/0.25	23/21	2500/2750	112/124	0.31/0.33	44/47	536
A2123-HSL		◎	230	50/60	0.14/0.12	24/22	2500/2750	112/124	0.28/0.31	43/46	536
A2123-HST		◎	230	50/60	0.14/0.12	24/22	2500/2750	112/124	0.28/0.31	43/46	536
A2123-HBL		○	230	50/60	0.14/0.12	24/22	2500/2750	112/124	0.28/0.31	44/47	536
A2123-HBT		○	230	50/60	0.14/0.12	24/22	2500/2750	112/124	0.28/0.31	44/47	536

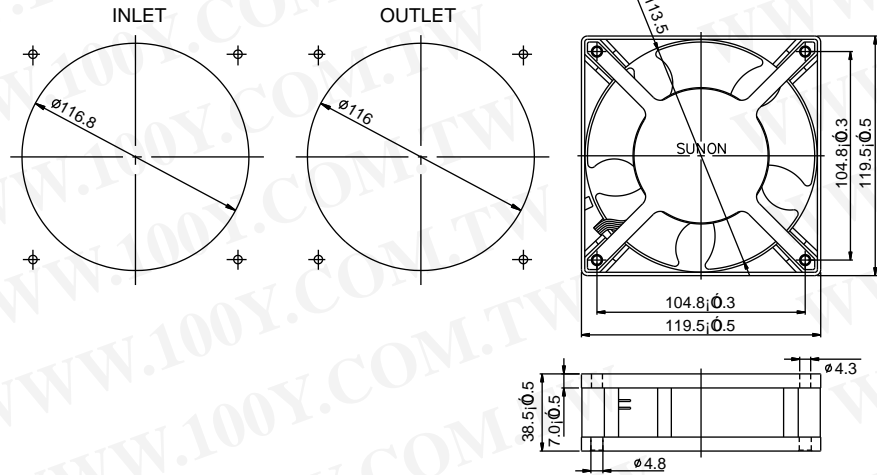
Specifications subject to change without notice



勝特力材料 886-3-5753170  
 勝特力电子(上海) 86-21-54151736  
 勝特力电子(深圳) 86-755-83298787  
[Http://www.100y.com.tw](http://www.100y.com.tw)

# 120x120x38 mm (Plastic Frame)

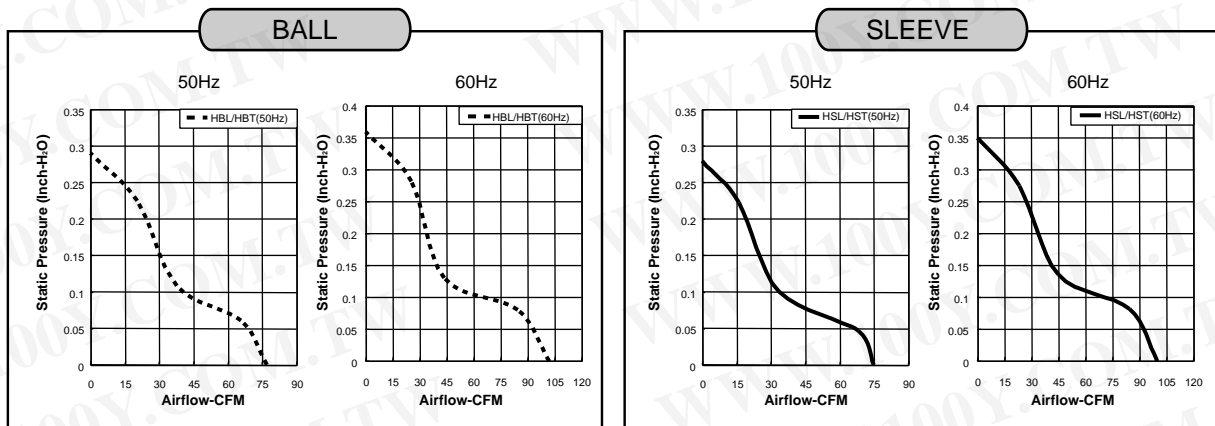
Bearing Type :Ball / Sleeve bearing  
Air Flow:75-102 CFM



## AC Series

Model	P/N	Bearing ◎ SLEEVE ○ BALL	Rating Voltage (VAC)	Frrq. (Hz)	Power Current (AMP)	Power Consumption (WATTS)	Speed (RPM)	Air Flow (CFM)	Static Pressure (Inch-H <sub>2</sub> O)	Noise (dBA)	Weight (g)
SP109WR 1123HST		◎	115	50/60	0.23/0.21	20/19	2500/2900	75/100	0.28/0.35	42/47	450
SP109WR 1123HSL		◎	115	50/60	0.23/0.21	20/19	2500/2900	75/100	0.28/0.35	42/47	450
SP109WR 1123HBT		○	115	50/60	0.23/0.21	20/19	2650/3050	77/102	0.29/0.36	43/48	450
SP109WR 1123HBL		○	115	50/60	0.23/0.21	20/19	2650/3050	77/102	0.29/0.36	43/48	450
DP209WR 2123HST		◎	220/240	50/60	0.12/0.11	21/21	2500/2900	75/100	0.28/0.35	42/47	450
DP209WR 2123HSL		◎	220/240	50/60	0.12/0.11	21/21	2500/2900	75/100	0.28/0.35	42/47	450
DP209WR 2123HBT		○	220/240	50/60	0.12/0.11	21/21	2650/3050	77/102	0.29/0.36	43/48	450
DP209WR 2123HBL		○	220/240	50/60	0.12/0.11	21/21	2650/3050	77/102	0.29/0.36	43/48	450

Specifications subject to change without notice



勝特力材料 886-3-5753170  
 勝特力电子(上海) 86-21-54151736  
 勝特力电子(深圳) 86-755-83298787  
[Http://www.100y.com.tw](http://www.100y.com.tw)