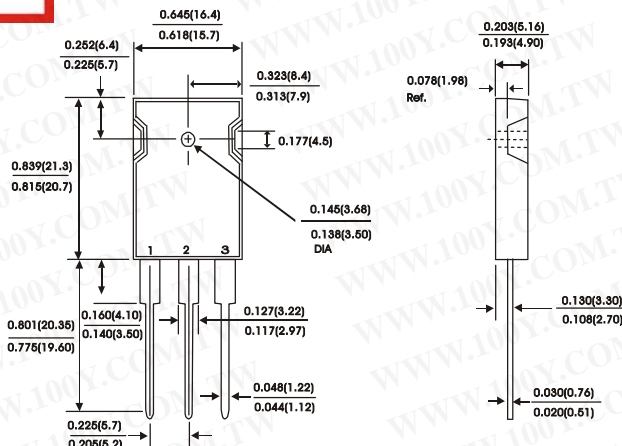


勝特力材料 886-3-5753170  
 胜特力电子(上海) 86-21-54151736  
 胜特力电子(深圳) 86-755-83298787  
[Http://www.100y.com.tw](http://www.100y.com.tw)

**TO-247AD/TO-3P**

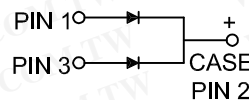
**FEATURES:**

- Plastic package Underwriters Laboratory Flammability Classification 94V-0
- Dual rectifier construction, positive centertap
- Metal silicon junction Majority carrier conduction
- Low power loss, high efficiency
- High current capability, low forward voltage drop
- High temperature soldering guaranteed: 250°C/10 seconds, 0.25"(6.35mm) from case



**MECHANICAL DATA**

- Case : JEDEC TO-3P molded plastic
- Terminals : Leads solderable per MIL-STD-750 Method 2026
- Polarity : As marked
- Mounting Postition : Any
- Mounting Torque 10 In - lbs.max
- Weight : 0.20 ounce, 5.6 grams



Dimensions in inches and (millimeters)

**MAXIMUM RATINGS AND ELECTRICAL CHARACTERISTICS**

Rating at 25° C ambient temperature unless otherwise specified.  
 Single phase half wave, 60 Hz resistive or inductive load.  
 For capacitive load, derate current by 20%.

Characteristic	Symbol	SR 30H2OPT	SR 30H3OPT	SR 30H35PT	SR 30H40PT	SR 30H45PT	SR 30H50PT	SR 30H60PT	Units
Maximum recurrent peak reverse voltage	$V_{RRM}$	20	30	35	40	45	50	60	Volts
Maximum RMS voltage	$V_{RMS}$	14	21	25	28	32	35	42	Volts
Maximum DC blocking voltage	$V_{DC}$	20	30	35	40	45	50	60	Volts
Maximum average forward rectified current at See fig. 1	$I_o$	30							Amps
Peak forward surge current 8.3ms single half sine-wave superimposed on rated load (JEDEC Method)(Per leg)	$I_{FSM}$	200							Amps
Maximum instantaneous forward voltage (Per leg)(NOTE 2)	$V_F$			0.63			0.70		Volts
				0.73			0.83		
Maximum instantaneous reverse current at rated DC blocking voltage (Per leg)(NOTE 2)	$I_R$				0.30				mA
					25				
Typical thermal resistance (Per leg)(NOTE 1)	$R_{th-JC}$	1.4							°C/W
Operating temperature range	$T_J$	-65to+175							°C
Storage temperature range	$T_{Stg}$	-65to+175							°C

NOTES:  
 (1)Thermal resistance from junction to case  
 (2)Pulse test : 300 us pulse width, 1 % duty cycle

# RATINGS AND CHARACTERISTIC CURVES SR30H20PT THRU SR30H60PT

FIG.1 - TYPICAL FORWARD CURRENT DERATING CURVE

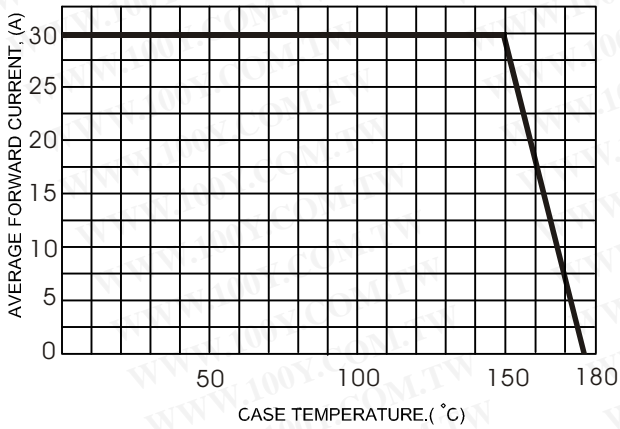
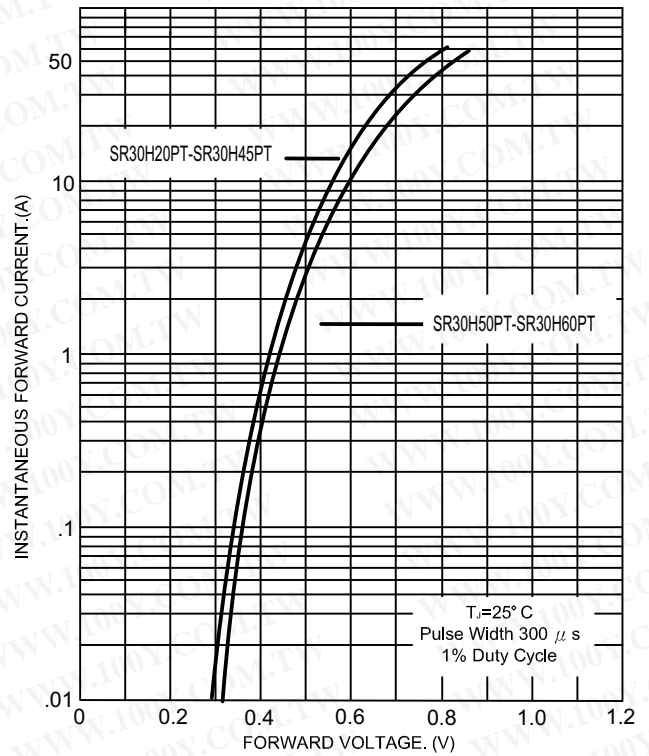


FIG.2 - TYPICAL FORWARD CHARACTERISTICS



勝特力材料 886-3-5753170  
 勝特力电子(上海) 86-21-54151736  
 勝特力电子(深圳) 86-755-83298787  
[Http://www.100y.com.tw](http://www.100y.com.tw)

FIG.3 - MAXIMUM NON-REPETITIVE FORWARD SURGE CURRENT

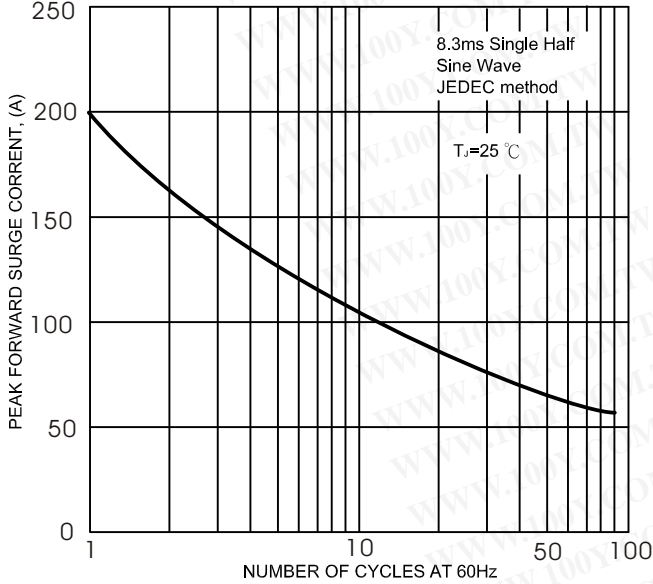


FIG.5- TYPICAL REVERSE CHARACTERISTICS

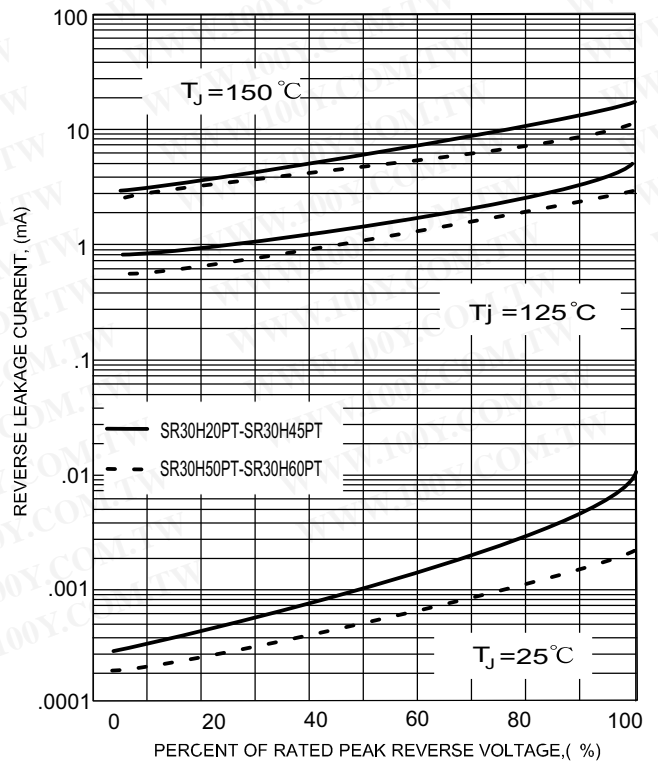


FIG.4- TYPICAL JUNCTION CAPACITANCE

