

勝特力材料 886-3-5753170  
 勝特力电子(上海) 86-21-54151736  
 勝特力电子(深圳) 86-755-83298787  
[Http://www.100y.com.tw](http://www.100y.com.tw)

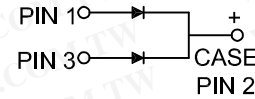
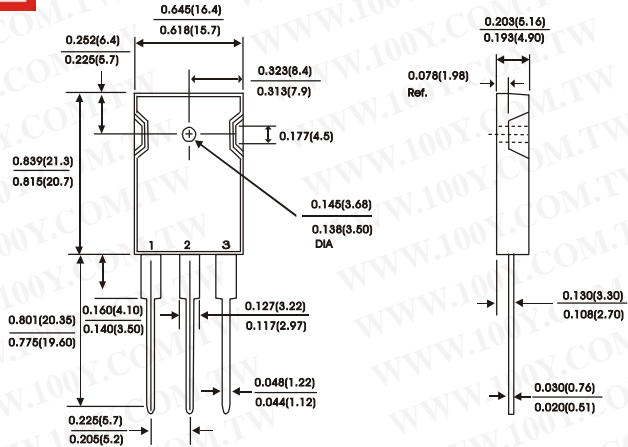
TO-247AD/TO-3P

FEATURES:

- Plastic package Underwriters Laboratory Flammability Classification 94V-0
- Dual rectifier construction, positive centertap
- Metal silicon junction Majority carrier conduction
- Low power loss, high efficiency
- High current capability, low forward voltage drop
- High temperature soldering guaranteed: 250°C/10 seconds, 0.25"(6.35mm) from case

MECHANICAL DATA

Case : JEDEC TO-3P molded plastic  
 Terminals : Leads solderable per MIL-STD-750 Method 2026  
 Polarity : As marked  
 Mounting Postition : Any  
 Mounting Torque 10 in - lbs.max  
 Weight : 0.20 ounce, 5.6 grams



Dimensions in inches and (millimeters)

MAXIMUM RATINGS AND ELECTRICAL CHARACTERISTICS

Rating at 25° C ambient temperature unless otherwise specified.  
 Single phase half wave, 60 Hz resistive or inductive load.  
 For capacitive load, derate current by 20%.

Characteristic	Symbol	SR30H90PT	SR30H100PT	Units
Maximum recurrent peak reverse voltage	$V_{RRM}$	90	100	Volts
Maximum RMS voltage	$V_{RMS}$	64	70	Volts
Maximum DC blocking voltage	$V_{DC}$	90	100	Volts
Maximum average forward rectified current at See fig.1	$I_o$	30		Amps
Peak forward surge current 8.3ms single half sine-wave superimposed on rated load (JEDEC Method)(Per leg)	$I_{FSM}$	265		Amps
Maximum instantaneous forward voltage (Per leg)(NOTE 2) $I_F = 15A$	$V_F$	0.82		Volts
Maximum instantaneous reverse current at rated DC blocking voltage(Per leg)(NOTE 2) $T_C = 25^\circ C$ $T_C = 125^\circ C$	$I_R$	50 6.0		$\mu A$ mA
Typical thermal resistance(Per leg)(NOTE 1)	$R_{th-JC}$	1.6		$^\circ C/W$
Operating temperature range	$T_J$	-65to+175		$^\circ C$
Storage temperature range	$T_{Stg}$	-65to+175		$^\circ C$

NOTES:  
 (1) Thermal resistance from junction to case  
 (2) Pulse test : 300 us pulse width, 1% duty cycle

# RATINGS AND CHARACTERISTIC CURVES SR30H90PT THRU SR30H100PT

FIG.1 - TYPICAL FORWARD CURRENT DERATING CURVE

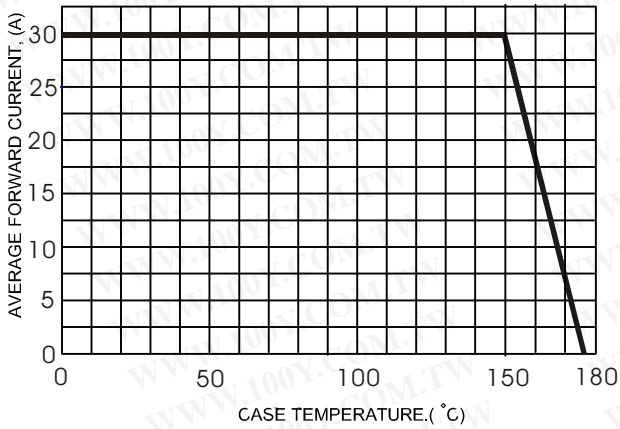
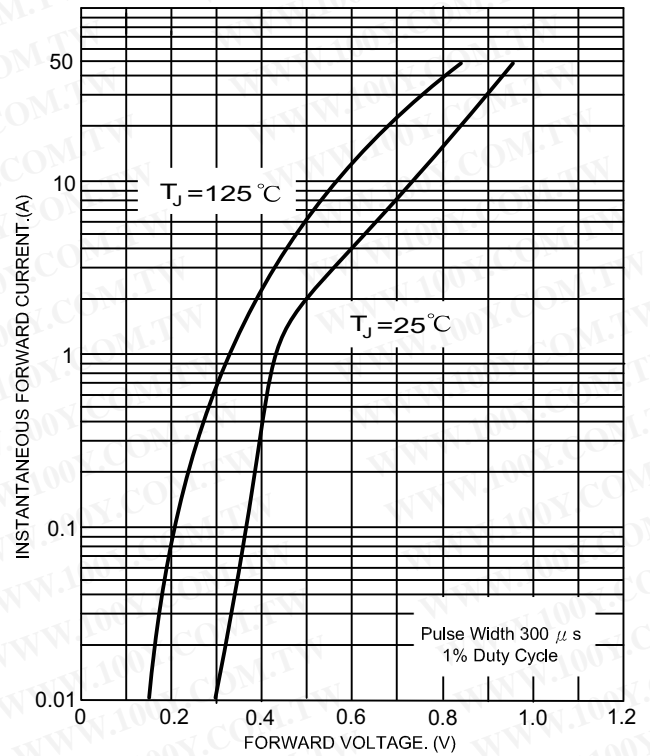


FIG.2 - TYPICAL FORWARD CHARACTERISTICS



勝特力材料 886-3-5753170  
 勝特力电子(上海) 86-21-54151736  
 勝特力电子(深圳) 86-755-83298787  
[Http://www.100y.com.tw](http://www.100y.com.tw)

FIG.3 - MAXIMUM NON-REPETITIVE FORWARD SURGE CURRENT

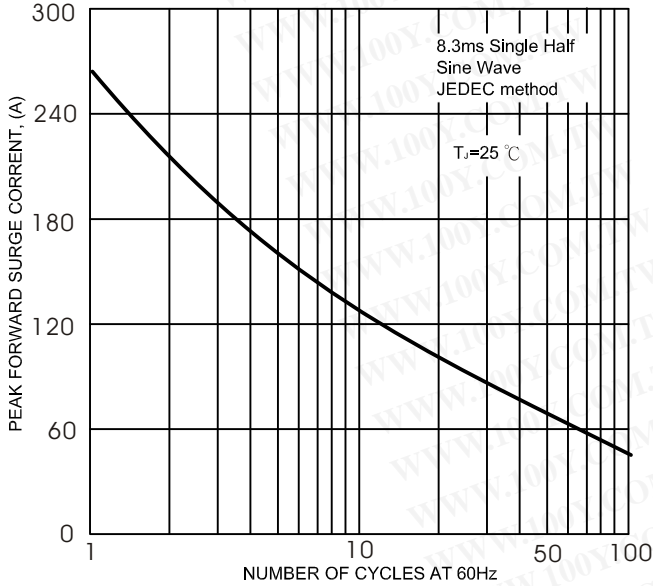


FIG.5- TYPICAL REVERSE CHARACTERISTICS

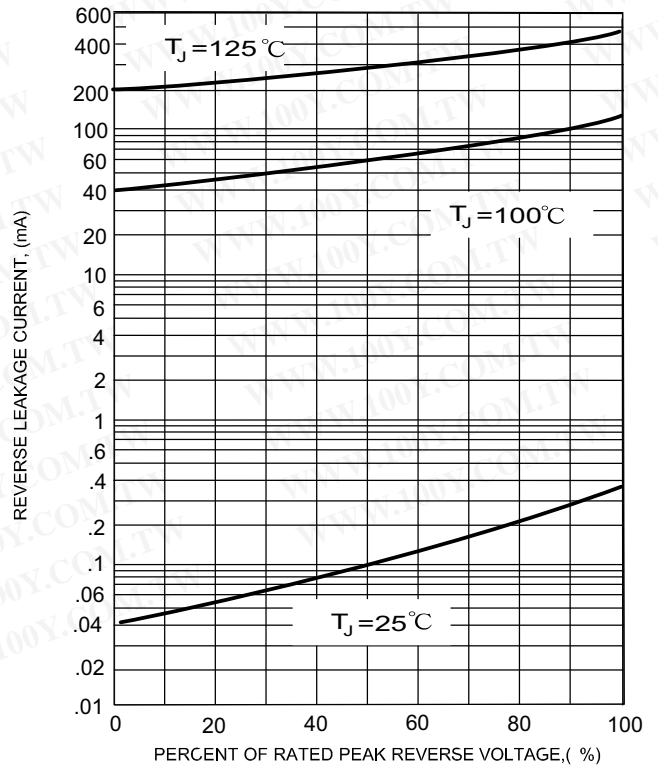


FIG.4- TYPICAL JUNCTION CAPACITANCE

