

SR40H20PT THUR SR40H60PT

SCHOTTKY BARRIER RECTIFIERS

勝特力材料 886-3-5753170
勝特力电子(上海) 86-21-54151736
勝特力电子(深圳) 86-755-83298787
[Http://www.100y.com.tw](http://www.100y.com.tw)

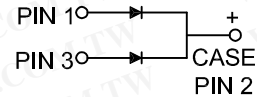
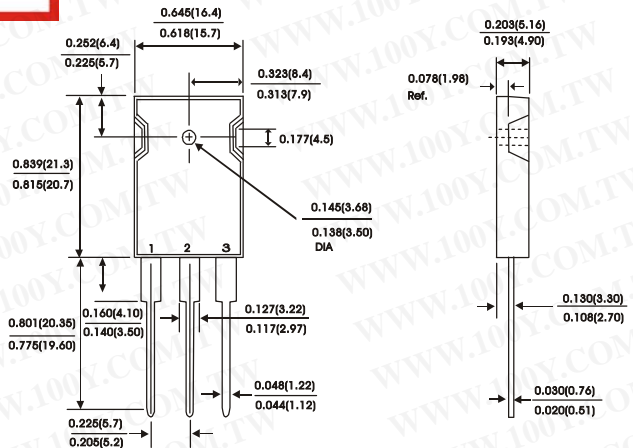
TO-247AD/TO-3P

FEATURES:

- Plastic package Underwriters Laboratory Flammability Classification 94V-0
- Dual rectifier construction, positive centertap
- Metal silicon junction Majority carrier conduction
- Low power loss, high efficiency
- High current capability, low forward voltage drop
- High temperature soldering guaranteed: 250°C/10 seconds, 0.25"(6.35mm) from case

MECHANICAL DATA

Case : JEDEC TO-3P molded plastic
Terminals : Leads solderable per MIL-STD-750 Method 2026
Polarity : As marked
Mounting Position : Any
Mounting Torque 10 in - lbs.max
Weight : 0.20 ounce, 5.6 grams



Dimensions in inches and (millimeters)

MAXIMUM RATINGS AND ELECTRICAL CHARACTERISTICS

Rating at 25° C ambient temperature unless otherwise specified.
 Single phase half wave, 60 Hz resistive or inductive load.
 For capacitive load, derate current by 20%.

Characteristic	Symbol	SR 40H20PT	SR 40H30PT	SR 40H35PT	SR 40H40PT	SR 40H45PT	SR 40H50PT	SR 40H60PT	Units
Maximum recurrent peak reverse voltage	V_{RRM}	20	30	35	40	45	50	60	Volts
Maximum RMS voltage	V_{RMS}	14	21	25	28	32	35	42	Volts
Maximum DC blocking voltage	V_{DC}	20	30	35	40	45	50	60	Volts
Maximum average forward rectified current at See fig. 1	I_o	40							Amps
Peak forward surge current 8.3ms single half sine-wave superimposed on rated load (JEDEC Method)(Per leg)	I_{FSM}	400							Amps
Maximum instantaneous forward voltage (Per leg)(NOTE 2) $I_F = 20A$	V_F	0.63					0.69		Volts
Maximum instantaneous reverse current at rated DC blocking voltage(Per leg)(NOTE 2) $T_c = 25^\circ C$ $T_c = 125^\circ C$	I_R	0.30				25			mA
Typical thermal resistance(Per leg)(NOTE 1)	R_{th-JC}	1.2							°C/W
Operating temperature range	T_J	-65to +175							°C
Storage temperature range	T_{Stg}	-65to +175							°C

NOTES:
 (1) Thermal resistance from junction to case
 (2) Pulse test : 300 us pulse width, 1% duty cycle

RATINGS AND CHARACTERISTIC CURVES SR40H20PT THRU SR40H60PT

FIG.1 - TYPICAL FORWARD CURRENT DERATING CURVE

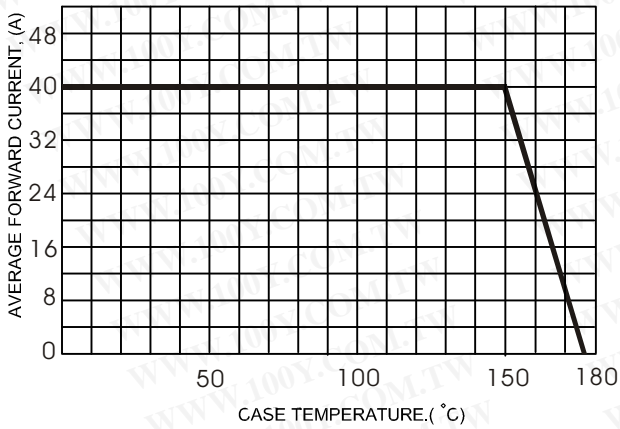
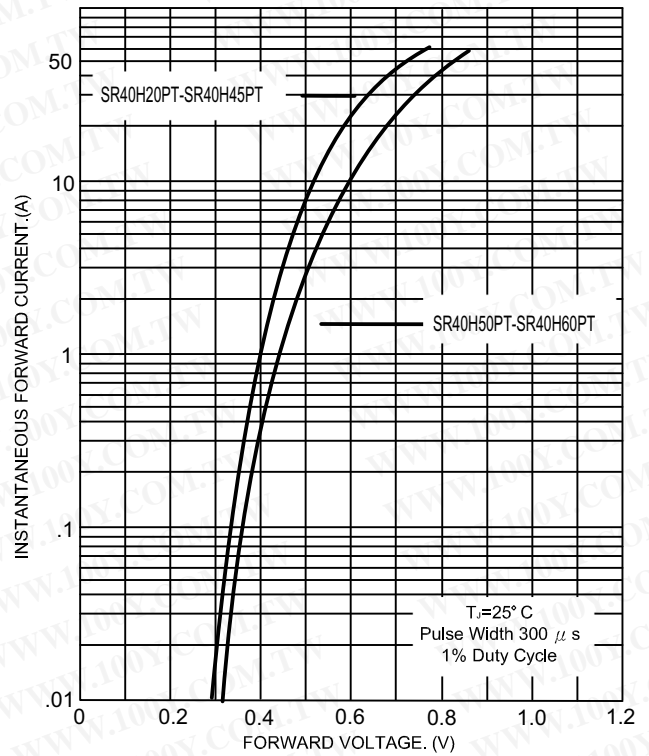


FIG.2 - TYPICAL FORWARD CHARACTERISTICS



勝特力材料 886-3-5753170
 勝特力电子(上海) 86-21-54151736
 勝特力电子(深圳) 86-755-83298787
[Http://www.100y.com.tw](http://www.100y.com.tw)

FIG.3 - MAXIMUM NON-REPETITIVE FORWARD SURGE CURRENT

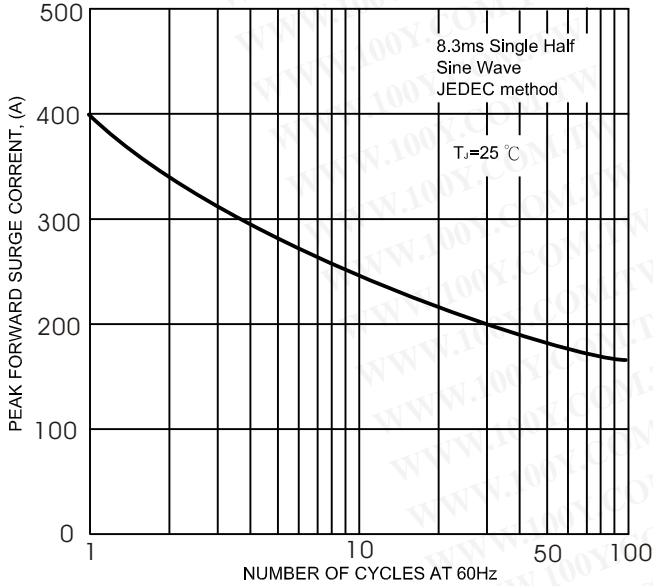


FIG.5- TYPICAL REVERSE CHARACTERISTICS

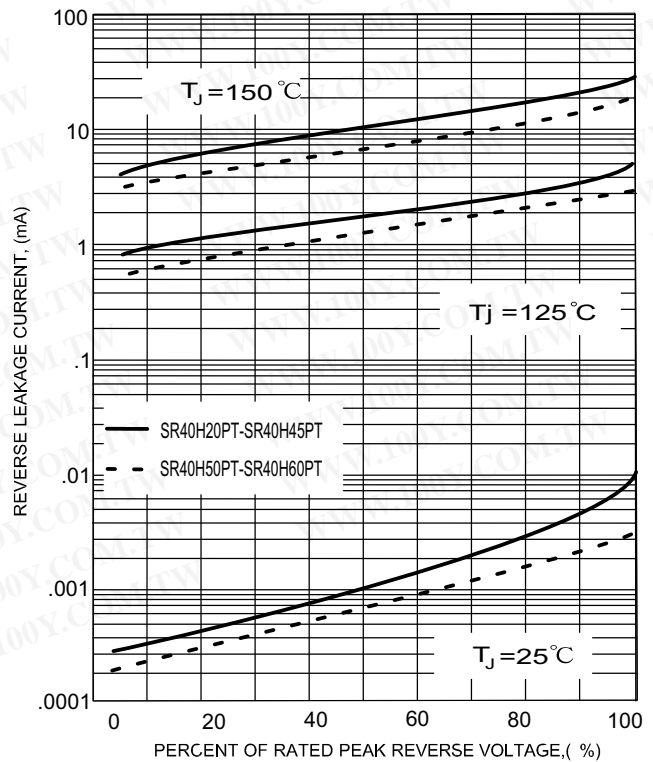


FIG.4- TYPICAL JUNCTION CAPACITANCE

