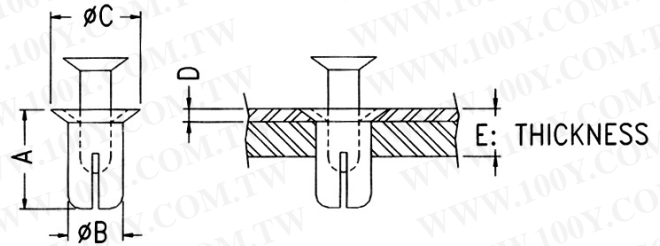
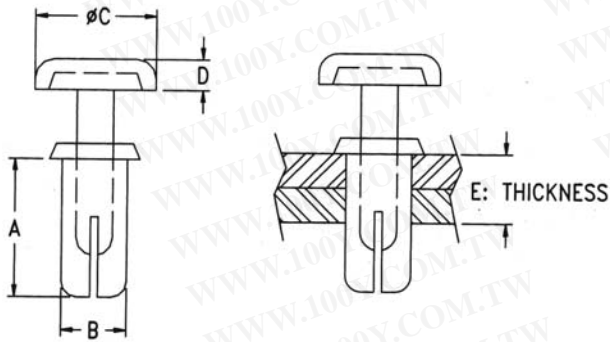


SNAP RIVET 尼龍鉚釘

- MATERIAL: NYLON66(UL)
- FLAME CLASS: 99V-2
- COLOR: BLACK/WHITE
- UNIT: mm
- 用途: 用於 PC 板、鐵板零件固定, 代替螺絲, 省時不需工具, 結合力強



ONLY FOR
SR4-6F, SR4-7F, SR4-8F,
SR4-13F, SR3-13F

PART NO	A	B	C	D	E	MOUNTING HOLES	PACKAGE
SR2.6-3.2	3.2	2.6	5.0	1.6	1.0~2.0	2.6	1000
SR2.6-4.2	4.2	2.6	5.0	1.6	2.0~3.0		
SR2.6-4.8	4.8	2.6	5.0	1.3	2.5~3.4		
SR2.6-5.5	5.5	2.6	5.0	1.3	3.0~4.3		
SR3-3.5	3.6	3.0	6.3	1.6	1.0~2.0	3.0	
SR3-4.5	4.5	3.0	6.3	1.7	2.0~3.2		
SR3-5.5	5.5	3.0	6.3	1.7	3.0~4.0		
SR3-6.5	6.5	3.0	6.3	1.7	4.0~5.0		
SR3-7.5	7.5	3.0	6.3	1.7	5.0~6.0		
SR3-8	8.1	3.0	6.3	1.7	5.5~6.5		
SR3-9	9.1	3.0	6.3	1.7	6.5~7.5	3.2	
SR3-10	10.0	3.0	6.3	1.7	7.5~8.5		
SR3-13	13.0	3.0	6.2	1.7	10.0~11.0	3.0	
SR3-13F	13.0	3.2	5.3	1.3	10.0~11.0		
SR3-15	15.5	3.0	6.2	1.7	11.5~13.0	3.5	
SR3-18.5	18.5	3.0	6.3	1.7	15.0~16.5		
SR3.5-4.5	4.5	3.5	6.3	1.7	2.0~3.0	4.0	
SR3.5-5	5.0	3.5	6.3	1.7	2.5~3.5		
SR3.5-5.5	5.5	3.5	6.3	1.7	3.0~4.0		
SR3.5-6	6.0	3.5	6.3	1.7	4.0~4.5		
SR3.5-7	7.0	3.5	6.3	1.7	4.5~5.5		
SR4-5	5.0	4.0	7.8	1.8	2.5~3.5		
SR4-6	6.0	4.0	7.8	1.8	3.5~4.5		
SR4-7	7.0	4.0	8.0	2.0	4.5~5.5		
SR4-7F	7.0	4.0	6.4	0.8	3.5~5.0		
★SR4-8	8.0	4.0	8.0	2.0	5.5~6.5		
SR4-10	10.0	4.0	8.0	2.0	7.5~8.5	4.0	
SR4-10*	10.0	4.0	6.8	2.1	7.5~8.5		
SR4-12	12.0	4.0	8.0	2.0	9.5~10.5		
SR4-13F	14.5	4.0	6.4	1.0	10.0~11.0		
SR4-25	25.0	4.0	8.0	2.0	19.0~20.5		
SR5-4.5	4.6	5.0	8.9	2.2	1.5~2.5		5.0
SR5-5.5	5.5	5.0	8.9	2.2	2.5~3.5		
SR5-6.5	6.5	5.0	9.0	2.2	3.5~4.5		
SR5-7.5	7.5	5.0	9.0	2.2	4.5~5.5		
SR5-8.5	8.5	5.0	9.0	2.2	5.5~6.5		
SR6-6	6.0	6.0	12.0	2.5	2.5~4.0	6.0	

勝特力材料 86-3-5753170
 勝特力电子(上海) 86-21-54151736
 勝特力电子(深圳) 86-755-83298787
[Http://www.100y.com.tw](http://www.100y.com.tw)