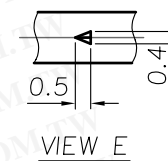
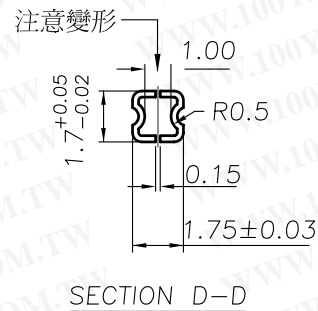
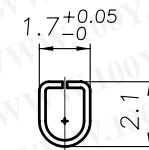
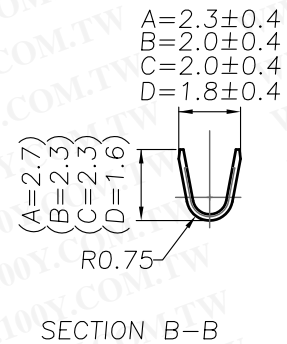
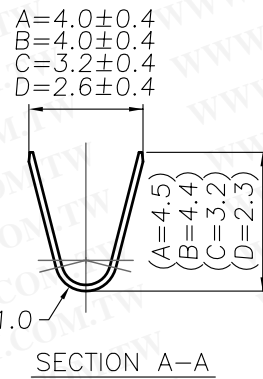
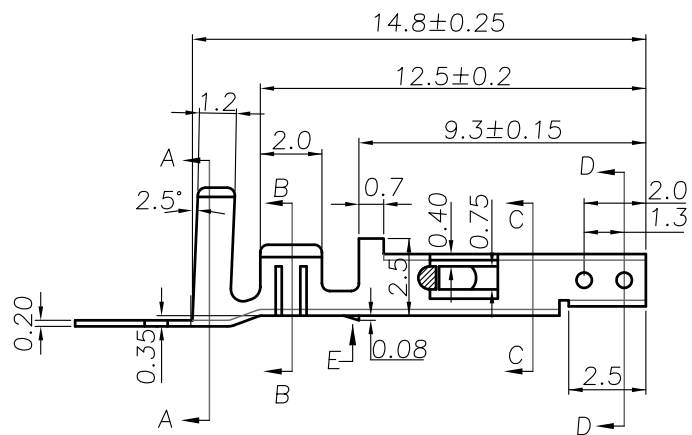
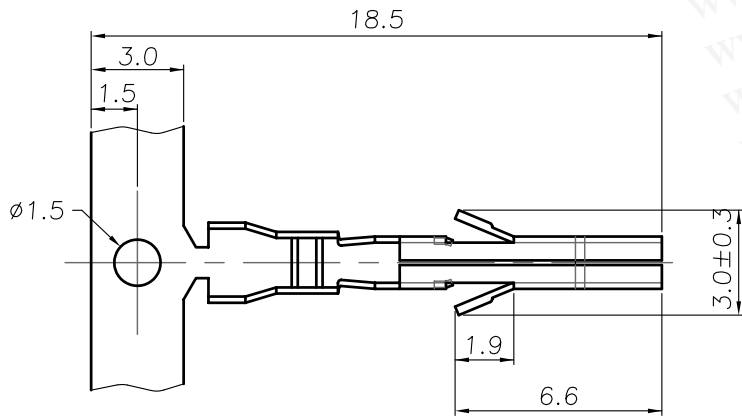


1	2	3	4	5	6	7	8		
PART NO.	WIRE GAUGE AWG	TYPE	5016T 0.2TX19.5WX11.0P			REV	MODIFICATION	DATE	DRAW
T-5016-B3T105	16~20	5016T1							
T-5016-B3T100	18~22	5016T2							
T-5016-B3T101	22~24	5016T3							
T-5016-B3T102	26	5016T4							



NOTES:
MATERIAL:C2680R-H
FINISH:TIN PLATED

勝特力材料 886-3-5753170
勝特力电子(上海) 86-21-54151736
勝特力电子(深圳) 86-755-83298787
Http://www.100y.com.tw

DIMENSION IN mm [Inch]	PRD. SPEC.	TITLE 5016T CONTACT		CUSTOMER DRAWING
TOLERANCE UNLESS OTHERWISE SPECIFIED	PKG. SPEC.	FILE NO.	DWG NO. T-5016-B3T10X	
.X±0.30	X'± 1°	APPROVE	PROJ.	SHEET 1 / 1
.XX±0.20	.X'± 0.5°	CHECK	SCALE 4:1	REV A
.XXX±0.10	.XX'± 0.25°	DRAW	SIZE A4	