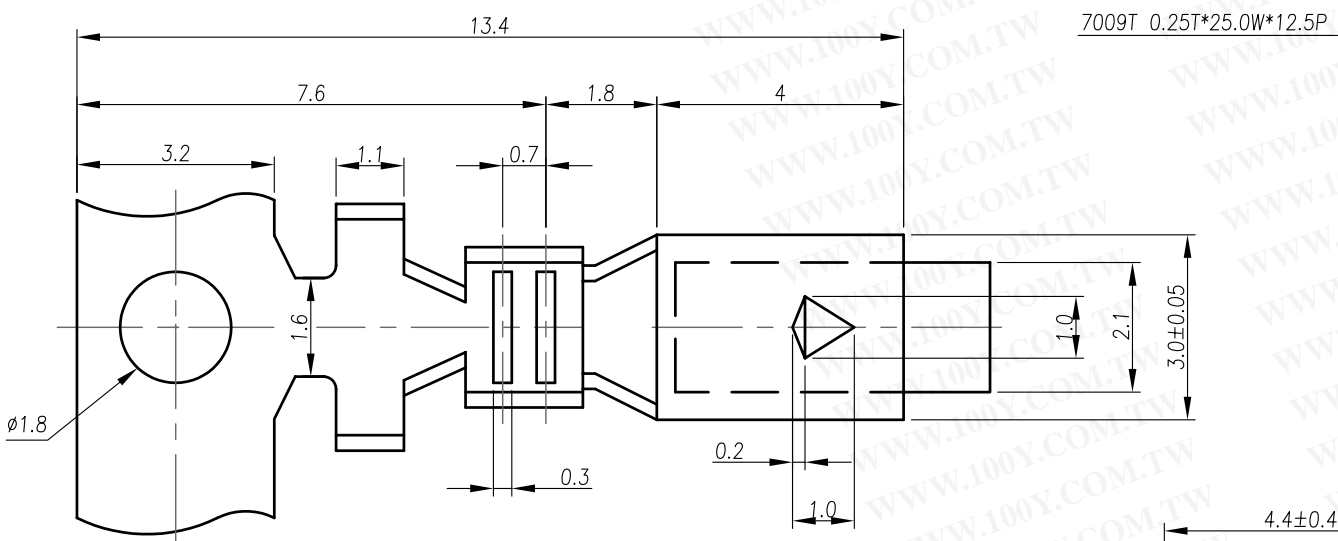
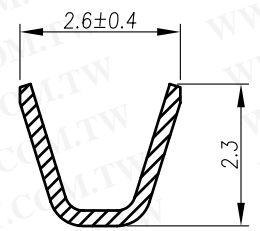
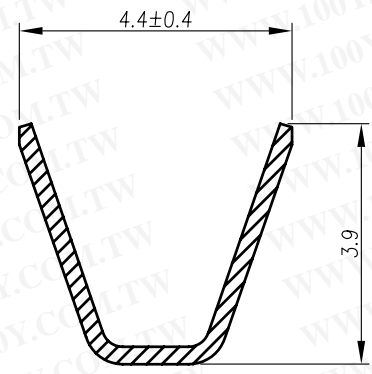
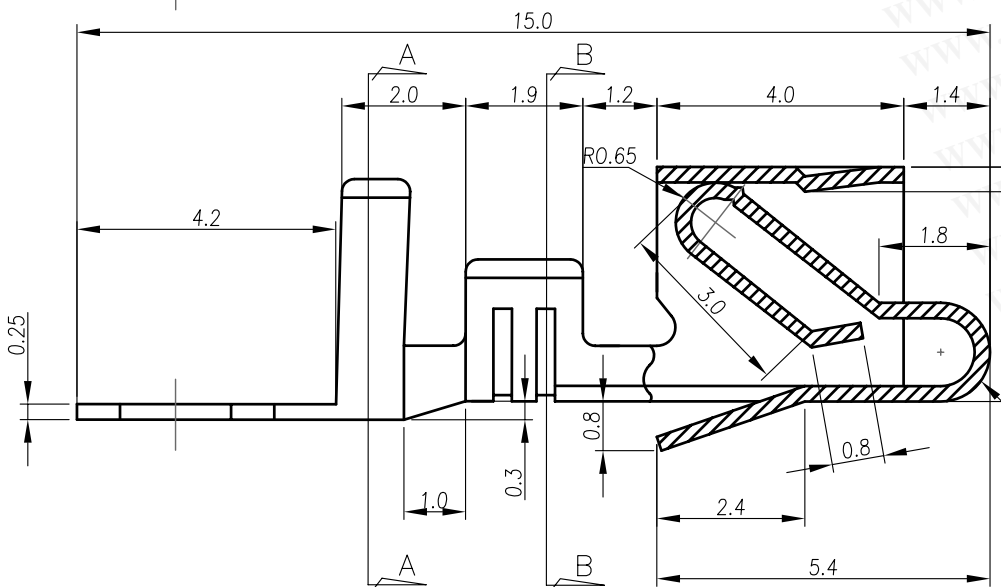


1 2 3 4 5 6 7 8

REV	MODIFICATION	DATE	DRAW



NOTES:
 MATERIAL: C2680R-H
 FINISH: TIN PLATED
 ORDERING INFORMATION:
 T-7009-B3T100



勝特力材料 886-3-5753170
 勝特力电子(上海) 86-21-54151736
 勝特力电子(深圳) 86-755-83298787
 Http://www.100y.com.tw

DIMENSION IN mm [Inch]		PROD. SPEC.	C	
TOLERANCE UNLESS OTHERWISE SPECIFIED		PKG. SPEC.	TITLE CONTACT	
.X±0.1	X.*±	APPROVE	CUSTOMER DRAWING	
.XX±	.X.*±	CHECK	FILE NO.	DWG NO. T-7009-B3T100
.XXX±	.XX.*±	DRAW	SIZE A4	PROJ. SHEET 1 / 1
			SCALE 8:1	REV A

1 2 3 4 5 6 7 8