

勝特力材料 886-3-5753170
勝特力电子(上海) 86-21-54151736
勝特力电子(深圳) 86-755-83298787
[Http://www.100y.com.tw](http://www.100y.com.tw)

BRUSHLESS RESOLVERS

Smartsyn[®] FA-SOLVER[®]

- BUILT-IN RESOLVERS
- SHAFT RESOLVERS
- HOLLOW SHAFT RESOLVERS



BRUSHLESS RESOLVERS

MEET YOUR NEEDS IN MOTION CONTROL APPLICATIONS

Wide Range of Built-in types
for Direct Mounting onto Motors

Smartsyn, and brushless resolvers, are to offer you highly enhanced reliability which has been enabled by excluding human-dependent works in the major production / inspection procedures from parts processing, assembling to shipping.

We'd like to offer the resolvers for such applications as follows.

- Commutation of brushless motors
- Feedback sensor of servo systems
- Robots
- Machine tools
- Aerospace servo systems
- Others where harsh environmental condition is involved

Smartsyn is a name of our brushless resolvers of a new type. They have their inherent characteristics as a resolver : maintenance-free brushless design, immunity to noise, vibration, shock, and high temperature.

And now they have more to offer : homogeneity in the ever-variable parameters like accuracy, transformation ratio, phase shift, etc., which has been realized by highly automated production. Now this new quality can be taken for granted.



勝特力材料 886-3-5753170
勝特力电子(上海) 86-21-54151736
勝特力电子(深圳) 86-755-83298787
[Http://www.100y.com.tw](http://www.100y.com.tw)

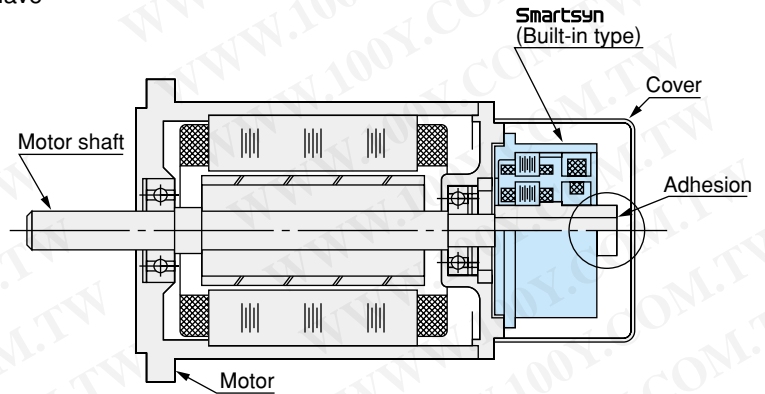
FEATURES

- Wide Operating Temperature Range
 - 55 to +155°C (Built-in type)
 - 30 to +100°C (All Shaft types, TS2028, and TS2054)
- Usable in Demanding Environments
 - Vibration : 196m/s² (20G) at 10~500Hz
 - Shock : 981m/s² (100G) for 11ms
 - Humidity : 90% Rh Min. at 60°C
- High reliability and long life owing to brushlessness
- Operating speed up to :
 - 100~500⁻¹ (6000~30000min⁻¹) / (Built-in type)
 - 100s⁻¹ (6000min⁻¹) / (Shaft type)
- Free from electrical and mechanical noise

MOUNTING REQUIREMENTS

The following mounting requirements should be kept to satisfy the specifications.

- Shaft Run-out
 A motor shaft on which Rotor is mounted should have a run-out less than 0.050mm (TIR).
- Concentricity
 Centers of resolver and motor shaft should be aligned within 0.050mm (TIR).
- Perpendicularity
 Resolver case should be perpendicular to the motor shaft within 0.050mm (TIR).
- Axial Alignment
 For built-in types, Stator and Rotor should be axially aligned within the tolerance of MTG.DIM.



PRINCIPLE

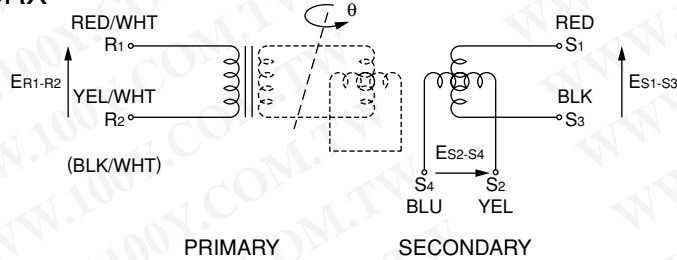
Resolver is a rotary transformer, which outputs AC voltage in accordance with angular position of the shaft. There are two types of resolvers, BRX and BRT, having different types of winding.

BRX resolver is excited by AC voltage to the rotor winding, and outputs from the stator windings sine and cosine voltages proportion to the rotation angle θ .

BRT resolver is excited by sine and cosine voltages to the stator windings, and outputs from the rotor winding a sine voltage phase-shifted in proportion to θ .

The difference is illustrated as follows.

BRX



Excitation : $E_{R1-R2} = E \sin \omega t$

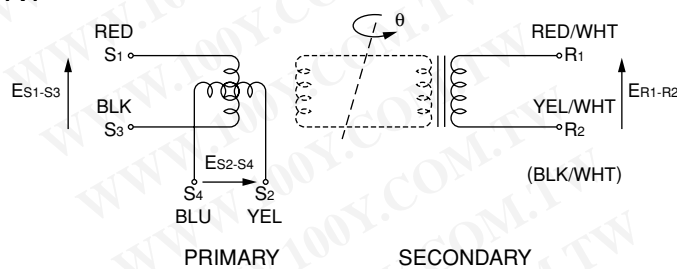
Output : $E_{S1-S3} = K E_{R1-R2} \cos \theta$

$E_{S2-S4} = K E_{R1-R2} \sin \theta$ (Normal Type)

$E_{S2-S4} = -K E_{R1-R2} \sin \theta$ (Reverse Type)

K : Transformation Ratio

BRT



Excitation : $E_{S1-S3} = E \sin \omega t$

$E_{S2-S4} = E \cos \omega t$

Output : $E_{R1-R2} = K E_{S1-S3} \cos \theta - K E_{S2-S4} \sin \theta$
 $= K E \sin (\omega t - \theta)$ (Normal Type)

$E_{R1-R2} = K E_{S1-S3} \cos \theta + K E_{S2-S4} \sin \theta$
 $= K E \sin (\omega t + \theta)$ (Reverse Type)

K : Transformation Ratio

$+\theta$:CCW is positive when viewed from mounting end.

BUILT-IN RESOLVERS



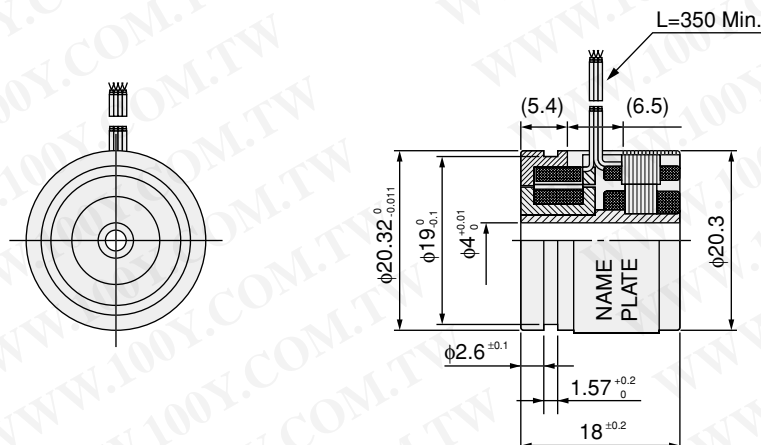
勝特力材料 886-3-5753170
 勝特力电子(上海) 86-21-54151736
 勝特力电子(深圳) 86-755-83298787
[Http://www.100y.com.tw](http://www.100y.com.tw)

SIZE	08	10	15		21		
Model No.	TS2605N1E64	TS2610N171E64	TS2620N21E11	TS2620N271E14	TS2640N321E64	TS2640N691E125	
Type	BRX	←	←	←	←	←	
Primary	R1-R2	←	←	←	←	←	
Input Voltage/Frequency	7Vrms 10kHz	7Vrms 10kHz	7Vrms 10kHz	10Vrms 4.5kHz	7Vrms 10kHz	5Vrms 4kHz	
Transformation Ratio	0.5±5%	0.5±5%	0.5±5%	0.5±10%	0.5±5%	0.5±10%	
Error	±10' Max.	±10' Max.	±10' Max.	±10' Max.	±10' Max.	±8' Max.	
Null Voltage	20mVrms Max.	20mVrms Max.	20mVrms Max.	20mVrms Max.	25mVrms Max.	—	
Phase Shift	+10° Nom.	+5° Nom.	0° Nom.	+8° Nom.	-5° Nom.	+0 ~ +10°	
Impedance	Z _{RO}	140Ω	160Ω	70+j100Ω	90+j180Ω	110+j140Ω	290Ω Nom.
	Z _{SO}	—	160Ω	180+j300Ω	220+j350Ω	150+j270Ω	—
	Z _{SS}	120Ω	130Ω	175+j257Ω	210+j300Ω	130+j240Ω	420Ω Nom.
Operating Temperature	-55~+155°C	-55~+155°C	←	←	←	←	
Max. Operating Speed	500s ⁻¹	333.3s ⁻¹	←	←	166.7s ⁻¹	←	
Mass	0.03kg	0.04kg	0.06kg	0.07kg	0.22kg	0.25kg	
Output Type	Reverse	Reverse	Normal	Normal	Normal	Normal	

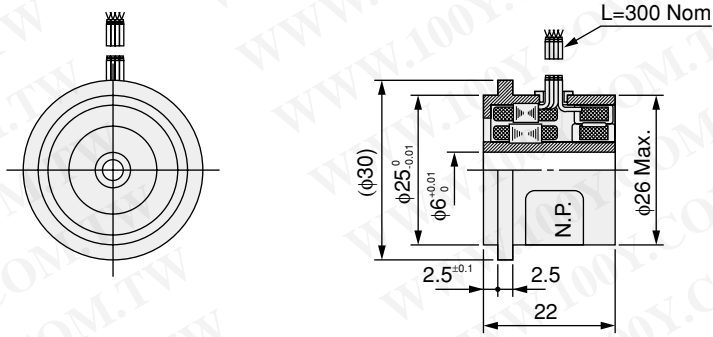
OUTLINE

(DIMENSION : mm)

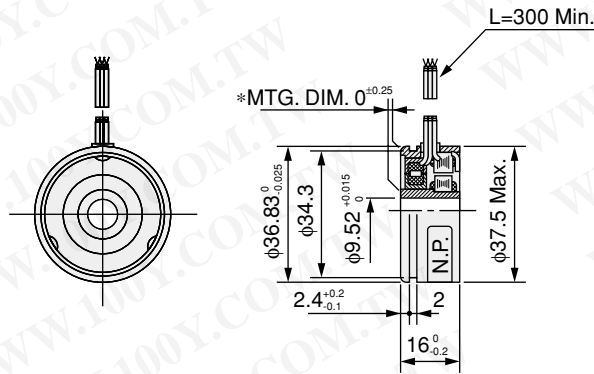
SIZE 08 TS2605N1E64



SIZE 10 TS2610N171E64

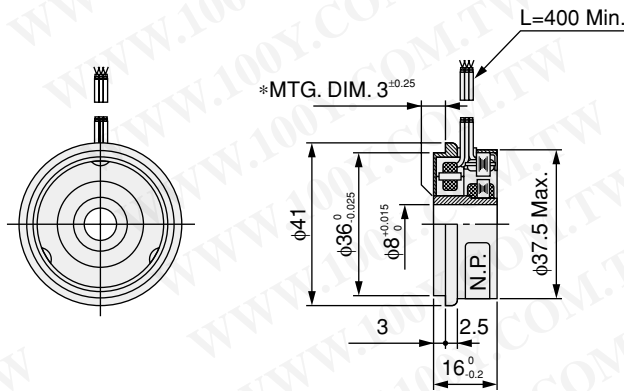


SIZE 15 TS2620N21E11

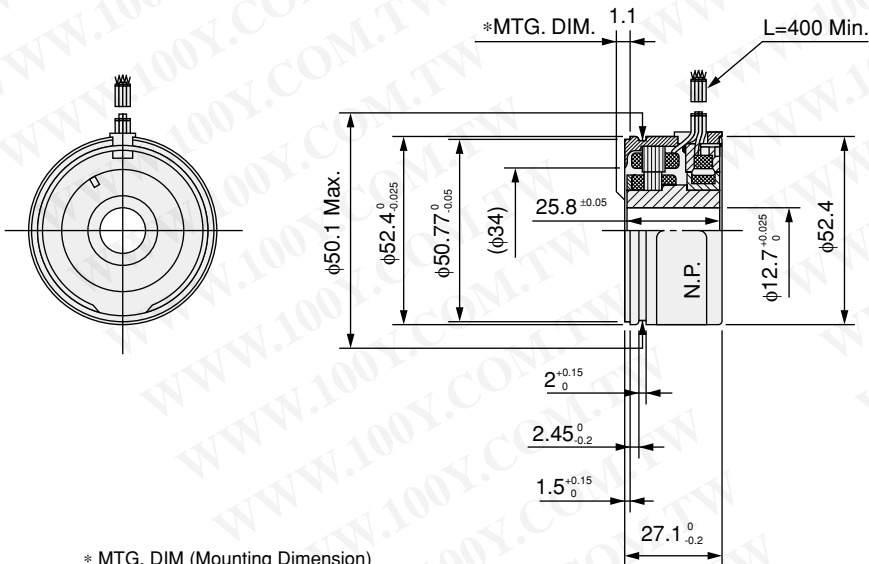


勝特力材料 886-3-5753170
 勝特力电子(上海) 86-21-54151736
 勝特力电子(深圳) 86-755-83298787
[Http://www.100y.com.tw](http://www.100y.com.tw)

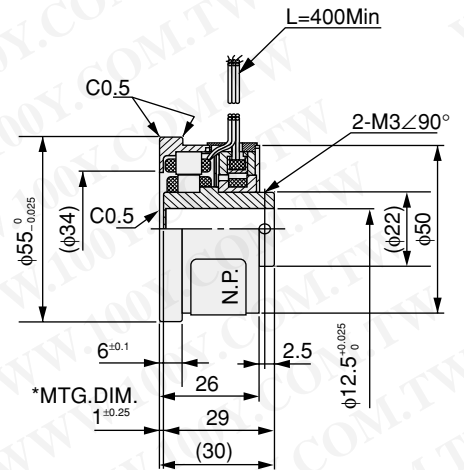
SIZE 15 TS2620N271E14



SIZE 21 TS2640N321E64



TS2640N691E125



* MTG. DIM (Mounting Dimension)

FA-SOLVER®

BUILT-IN RESOLVERS



勝特力材料 886-3-5753170
 勝特力电子(上海) 86-21-54151736
 勝特力电子(深圳) 86-755-83298787
[Http://www.100y.com.tw](http://www.100y.com.tw)

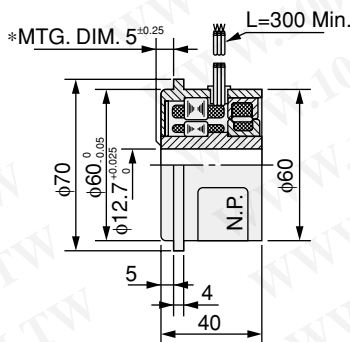
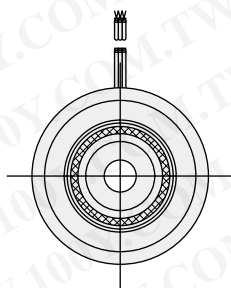
Products on this page are within FA-SOLVER® series.

SIZE	25	30	35	43	47	
Model No.	TS2013N211E57	TS2142N1E63	TS2158N21E63	TS2028N41E48	TS2054N91E51	
Type	BRX	←	←	←	←	
Primary	R1-R2	←	←	←	←	
Input Voltage/Frequency	10Vrms 4.5kHz	7Vrms 5kHz	10Vrms 5kHz	10Vrms 4.5kHz	6Vrms 10kHz	
Transformation Ratio	0.5 ± 10%	0.5 ± 10%	0.5 ± 10%	0.5 ± 10%	0.28 ± 10%	
Electrical Error	± 10' Max.	± 10' Max.	± 10' Max.	± 10' Max.	± 10' Max.	
Null Voltage	20mVrms Max.	20mVrms Max.	30mVrms Max.	30mVrms Max.	20mVrms Max.	
Phase Shift	-8° Nom.	-10° Nom.	-15° Nom.	-15° Nom.	-40° Nom.	
Impedance	Z _{Ro}	250+j377Ω	100+j170Ω	176Ω	200Ω	200+j345Ω
	Z _{so}	400+j690Ω	—	—	—	—
	Z _{ss}	326+j623Ω	200+j350Ω	250Ω	285Ω	214+j338Ω
Operating Temperature	-55 ~ +155°C	←	←	-30 ~ +100°C	-30 ~ +100°C	
Max. Operating Speed	166.7s ⁻¹	100s ⁻¹	←	←	←	
Mass	0.35kg	0.6kg	0.9kg	1.4kg	1.6kg	
Output Type	Reverse	Normal	Normal	Normal	Normal	

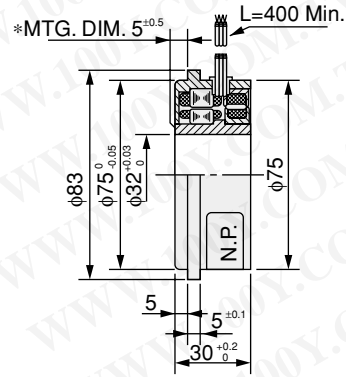
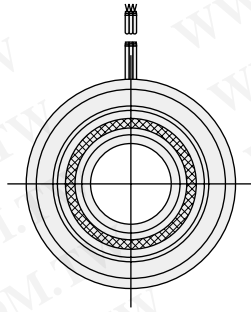
OUTLINE

(DIMENSION : mm)

SIZE 25 TS2013N211E57

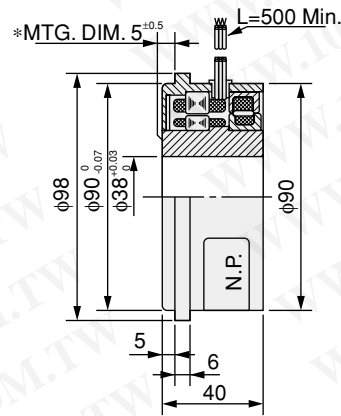
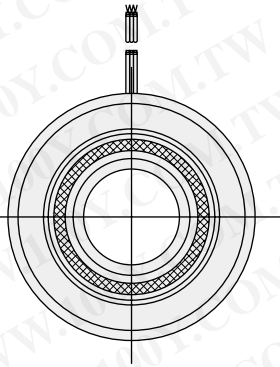


SIZE 30 TS2142N1E63

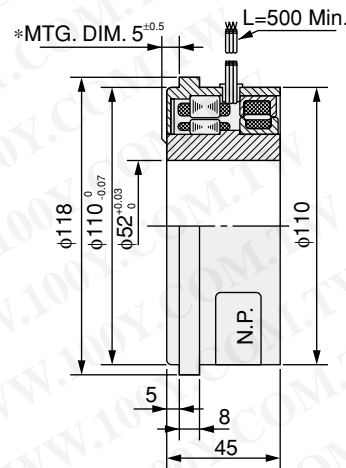
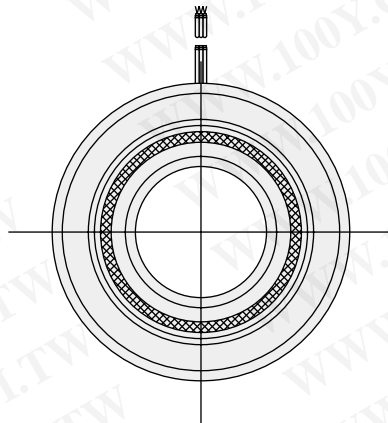


SIZE 35 TS2158N21E63

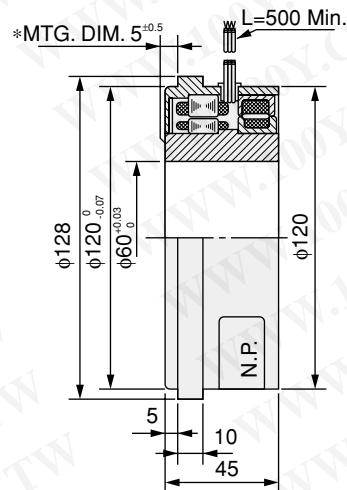
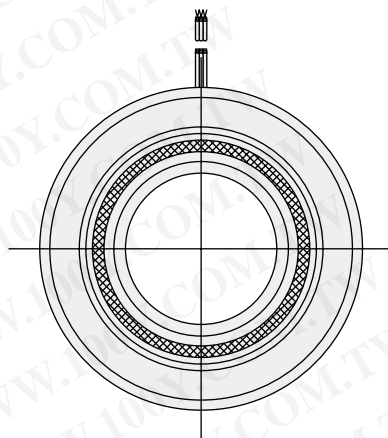
勝特力材料 886-3-5753170
 勝特力电子(上海) 86-21-54151736
 勝特力电子(深圳) 86-755-83298787
[Http://www.100y.com.tw](http://www.100y.com.tw)



SIZE 43 TS2028N41E48



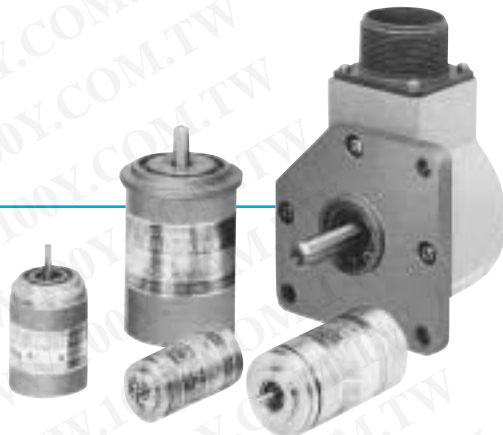
SIZE 47 TS2054N91E51



* MTG. DIM (Mounting Dimension)

FA-SOLVER®

SHAFT RESOLVERS



BRX

Products on this page are within FA-SOLVER® series.

SIZE	08	10	11	15	25	
Model No.	TS510N35E18	TS520N46E9	TS530N33E10	TS540N33E12	TS2014N141E26	
Type	BRX	←	←	←	←	
Primary	R1-R2	←	←	←	←	
Input Voltage/Frequency	7Vrms 3kHz	7Vrms 3kHz	18Vrms 5kHz	15Vrms 1kHz	10Vrms 4.5kHz	
Transformation Ratio	0.5 ± 10%	0.5 ± 10%	0.5 ± 20%	0.5 ± 10%	0.5 ± 10%	
Electrical Error	±15' Max.	±10' Max.	Spread10'	±10' Max.	±10' Max.	
Null Voltage	15mVrms Max.	15mVrms Max.	15mVrms Max.	20mVrms Max.	15mVrms Max.	
Phase Shift	+9.5° Nom.	+6.5° Nom.	-5° Nom.	+5° Nom.	-7.5° Nom.	
Impedance	ZRO	860+j1,230Ω	847Ω	1,000Ω	1,030Ω	250+j377Ω
	ZSO	—	—	—	680Ω	400+j690Ω
	ZSS	205+j190Ω	252Ω	380Ω	540Ω	326+j623Ω
Operating Temperature	-30 ~ +100°C	←	←	←	←	
Max. Operating Speed	100s ⁻¹	←	←	←	←	
Mass	0.045kg	0.07kg	0.11kg	0.24kg	0.62kg	
Output Type	Normal	Normal	Normal	Reverse	Normal	

BRT

SIZE	11	
Model No.	TS530N33E9	
Type	BRT	
Primary	S1-S3, S2-4	
Input Voltage/Frequency	3.5Vrms 3kHz	
Transformation Ratio	0.56 ^{+8%} / _{-6%}	
Electrical Error	Spresd 10' Max. (AT 11.8Vrms) 400Hz	
Impedance	ZSO	500Ω Min. (AT 11.8Vrms) 400Hz
	ZRS	1000Ω Max. (AT 6.6Vrms) 400Hz
Operating Temperature	0 ~ +90°C	
Max. Operating Speed	133.3s ⁻¹	
Mass	0.11kg	

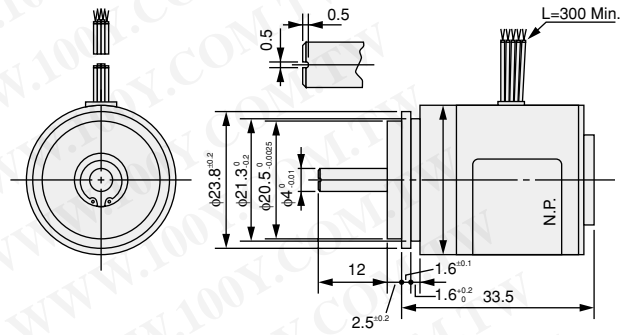
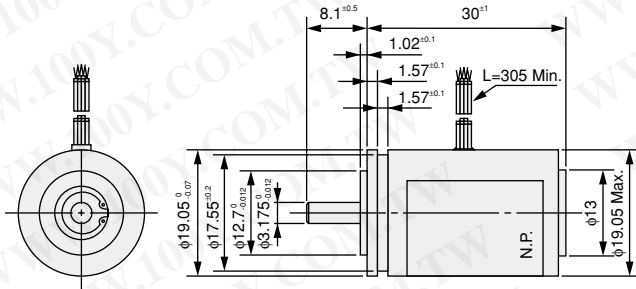
勝特力材料 886-3-5753170
 勝特力电子(上海) 86-21-54151736
 勝特力电子(深圳) 86-755-83298787
[Http://www.100y.com.tw](http://www.100y.com.tw)

OUTLINE

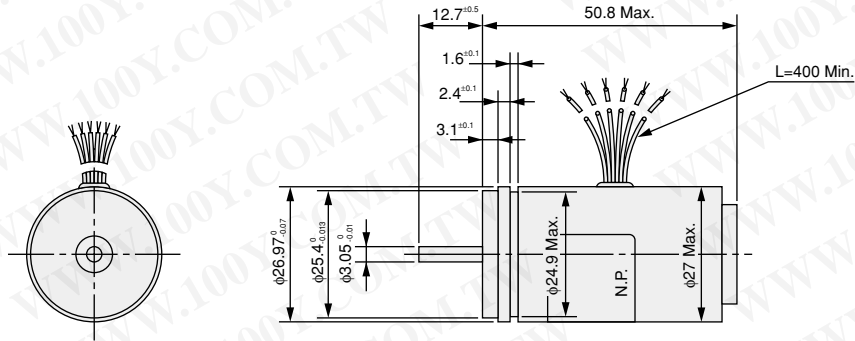
(DIMENSION : mm)

SIZE 08 TS510N35E18

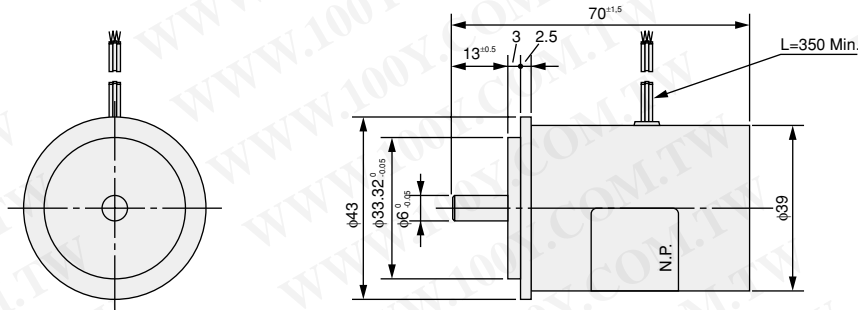
SIZE 10 TS520N46E9



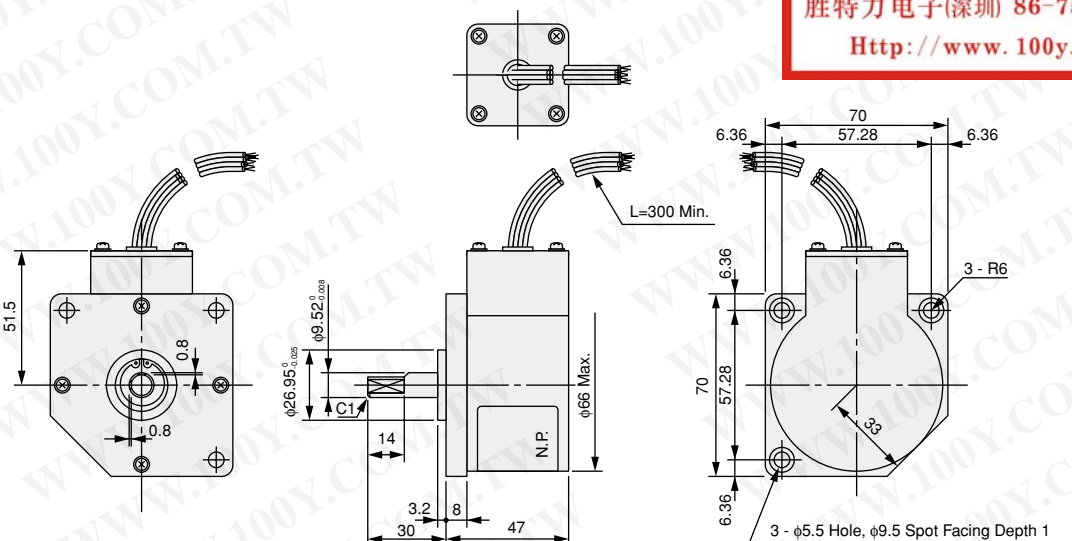
SIZE 11 TS530N33E10, TS530N33E9



SIZE 15 TS540N33E12



SIZE 25 TS2014N141E26



勝特力材料 886-3-5753170
勝特力电子(上海) 86-21-54151736
勝特力电子(深圳) 86-755-83298787
[Http://www.100y.com.tw](http://www.100y.com.tw)

HOLLOW SHAFT RESOLVERS

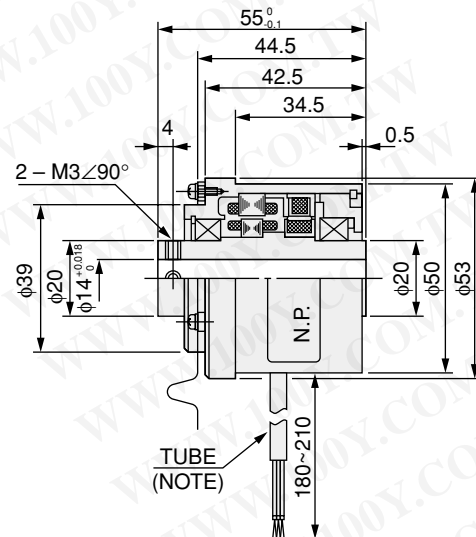
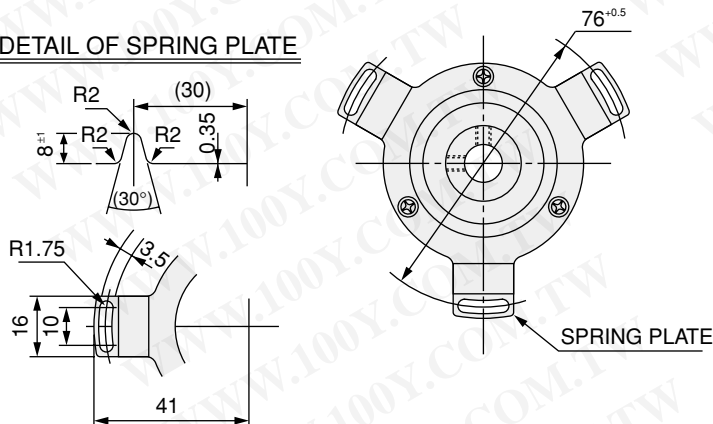
SIZE		21	
Model No.		TS2641N11E64	TS2651N111E78
Type		BRX	BRT
Primary		R1-R2	S1-S3, S2-S4
Input Voltage/Frequency		7Vrms 10kHz	3.5Vrms 4kHz
Transformation Ratio		0.5 ± 5%	0.3 ± 5%
Electrical Error		±10' Max.	±10' Max.
Null Voltage		20mVrms Max.	—
Phase Shift		-5° Nom.	—
Impedance	ZRo	190Ω	51+j90Ω
	ZRs	—	44+j76Ω
	Zso	300Ω	102+j150Ω
	Zss	270Ω	—
Operating Temperature		-10 ~ +100°C	-10 ~ +150°C
Max. Operating Speed		83.3s ⁻¹	133.3s ⁻¹
Mass		0.3kg	0.305kg
Output Type		Normal	ER1-R2=K(-ES1-S2 SIN θ - ES2-S4 COS θ)

OUTLINE

(DIMENSION : mm)

SIZE 21 TS2641N11E64, TS2651N111E78

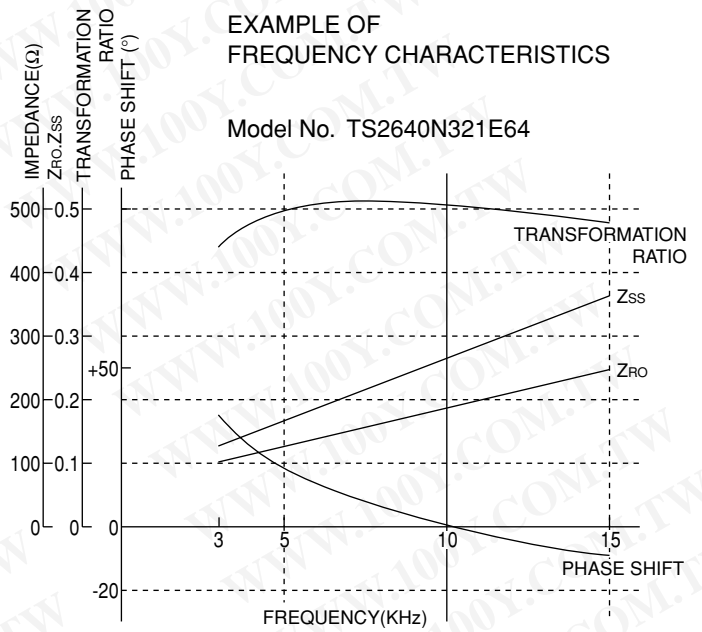
DETAIL OF SPRING PLATE



NOTE TS2641N11E64 : WITHOUT TUBE
 TS2651N111E78 : WITH TUBE

APPLICATION NOTES

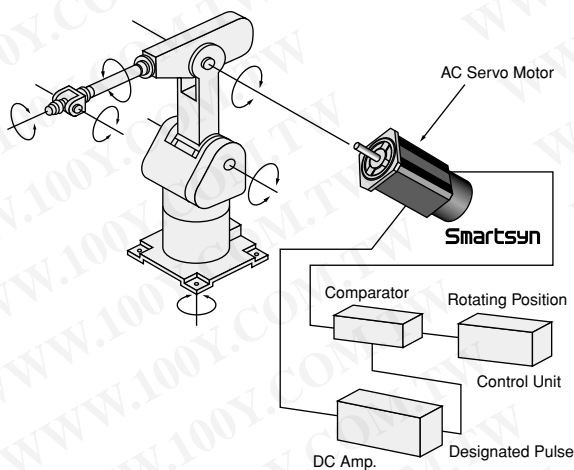
- The supply voltage is a rated value, and a resolver can accept a voltage from 3V to approx. 1.2 times as high as the rating. However, the supply frequency should only be altered within $\pm 5\%$ lest it should affect the accuracy. Electrical parameters largely vary as the frequency varies as shown on the right.
- When a noise source is in vicinity, or when signal transfer distance is long, twisted/shielded pair cables should be used. When a noise still exists on the signals, they should be received by a differential amplifier.
- In BRX resolver, the two output voltages should be connected to the same amount of loads each other, or the voltages will get disproportionate, thus affect the accuracy.
- When an intense magnetic field surrounds a resolver, it may not work properly with its magnetic flux affected.
- When a resolver is used in a high humidity as close to 100% Rh for a long time, waterproof structure should be considered lest its insulation materials should deteriorate.
- All resolvers in the catalog are $1 \times (2 \text{ poles})$ resolvers. For winding modifications to other speeds, please consult us.



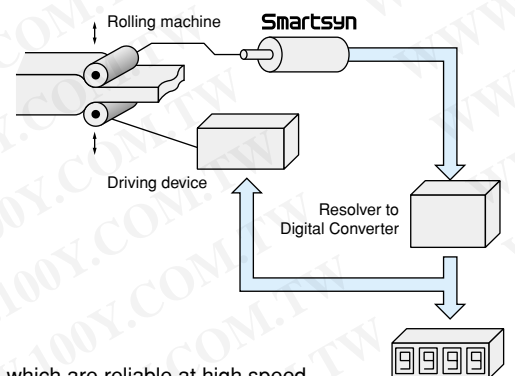
勝特力材料 886-3-5753170
 勝特力电子(上海) 86-21-54151736
 勝特力电子(深圳) 86-755-83298787
[Http://www.100y.com.tw](http://www.100y.com.tw)

APPLICATIONS

- For Driving Robot Hand and Body.



- Applicable to the roller positioning control of rolling mills.



- Smartsyn resolvers which are reliable at high speed are suitable for numerical control systems.

