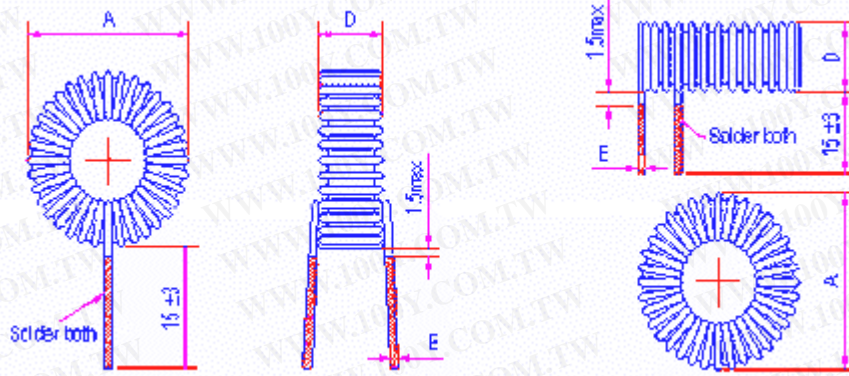


SHAPE AND SIZE : TC-101M-5A-10626



Features :

- Useful in a wide variety of power conversion and line filter applications .
- Wound on Iron Powder material toroids .
- COST-EFFECTIVE design .
- Low volume hand wound to high volume automatic machine wound .
- 130 ϕ J UEW-NY wire .
- High saturation current .
- Coated with varnish .

Ordering information :

- (1)Type : Toroidal coils .
- (2)Inductance : Example : 101 for 100 μ H
- (3)Inductance tolerance : J : $\pm 5\%$; K : $\pm 10\%$; M : $\pm 20\%$.
- (4)Rated current in Amps .
- (5)Core style : OD =0.5" .
- (6)Core material : "-26" or "-52" .

Characteristics :

- Inductance range : 1.0 μ H to 10000 μ H .
- Current rating: Based on current density about 8.0 A / mm² .
- Rated frequency : "-26" : 50Hz ~ 100 KHz ; "-52" :10KHz~ 500KHz .
- Operating temperature : -55°C to 125°C .
- Test equipent :
L tested by LCR meter @ 1KHz .
DCR tested by Milliohm meter .

Applications :

- Power supplies .
- Switching Circuits .
- SCR and Triac Controls .
- Output chokes .
- EMI / RFI chokes .
- Other filters .

勝特力材料 886-3-5753170
勝特力电子(上海) 86-21-54151736
勝特力电子(深圳) 86-755-83298787
[Http://www.100y.com.tw](http://www.100y.com.tw)