

勝特力材料 886-3-5753170  
 勝特力电子(上海) 86-21-54151736  
 勝特力电子(深圳) 86-755-83298787  
[Http://www.100y.com.tw](http://www.100y.com.tw)

# MODEL TL-4934

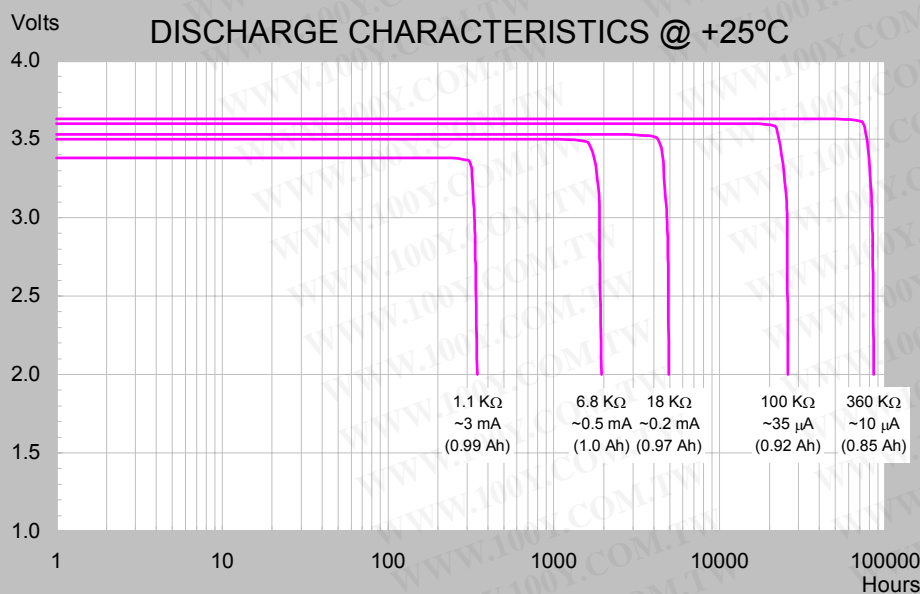
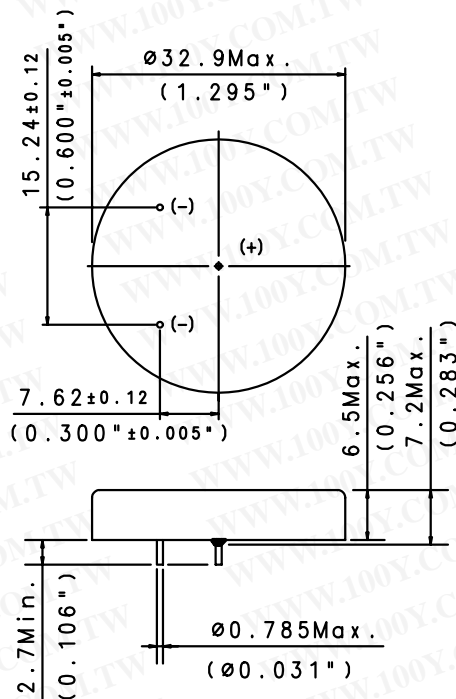
International size reference: 1/10D, ER32L65

## TADIRAN LITHIUM BATTERIES

### TECHNICAL DATA

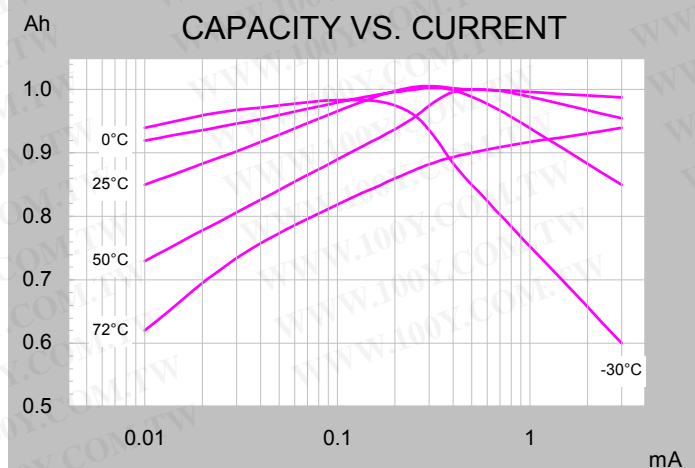
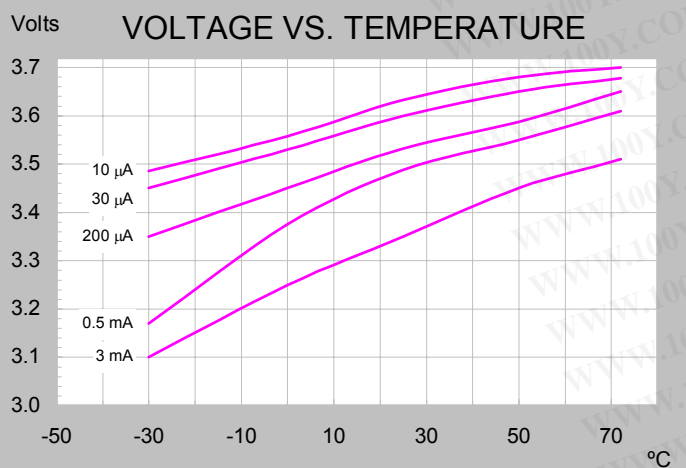
(Typical values @+25°C for batteries stored for one year or less)

- Nominal capacity @ 0.5 mA, to 2V 1 Ah
- Rated voltage 3.6 V
- Maximum recommended continuous current 10 mA
- Maximum 1 sec. pulse capability 20 mA
- Weight 16.8g (0.59 oz)
- Volume 5 cc
- Operating temperature range -55°C to +85°C
- U.L. Component Recognition, MH 12193



### ADDITIONAL INFORMATION

TERMINAL MATERIAL : TIN PLATED NICKEL  
 CATALOGUE NO. : 15-4934-41000



## XOL - Extended Operating Life

Note: Any presentations in this data sheet concerning performance are for information purpose only and are not construed as warranties either expressed or implied, of future performance. Rev. D 05/03