

勝特力材料 886-3-5753170  
 勝特力电子(上海) 86-21-54151736  
 勝特力电子(深圳) 86-755-83298787  
[Http://www.100y.com.tw](http://www.100y.com.tw)

# MODEL TL-5135

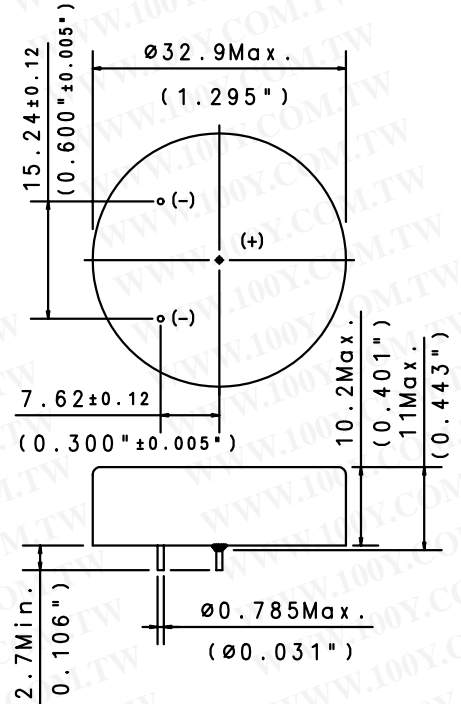
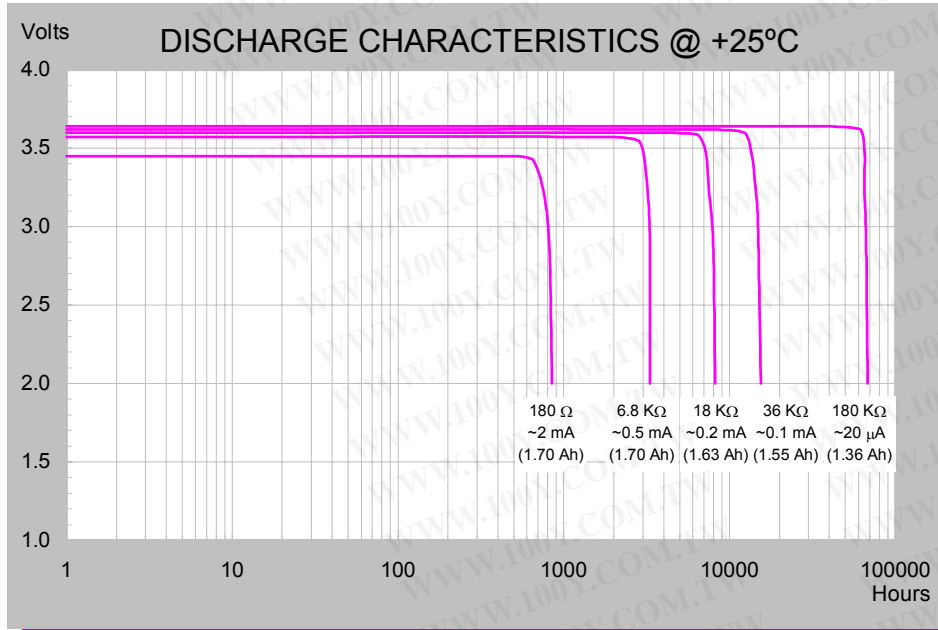
International size reference: 1/6D, ER32L100

## TADIRAN LITHIUM BATTERIES

### TECHNICAL DATA

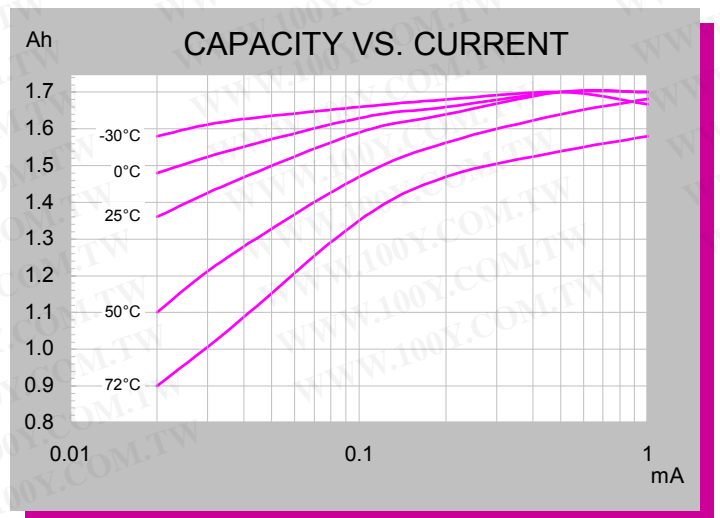
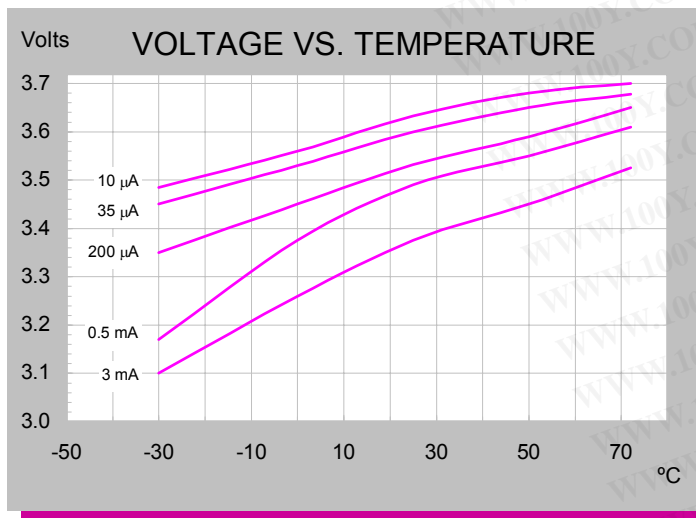
(Typical values @+25°C for batteries stored for one year or less)

■ Nominal capacity @ 0.5 mA, to 2V	1.7 Ah
■ Rated voltage	3.6 V
■ Weight	21.5g (0.758 oz)
■ Volume	8.2 cc
■ Operating temperature range	-55°C to +85°C
■ U.L. Component Recognition, MH 12193	



### ADDITIONAL INFORMATION

TERMINAL MATERIAL : TIN PLATED NICKEL  
 CATALOGUE NO. : 15-5135-41000



## MEMORY BACKUP

Note: Any presentations in this data sheet concerning performance are for information purpose only and are not construed as warranties either expressed or implied, of future performance. Rev. D 05/03