

# MODEL TL-5186

International size reference: ER22G75

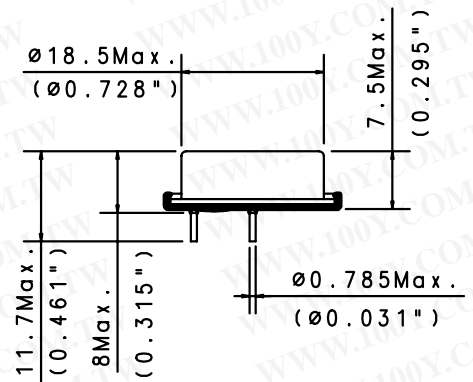
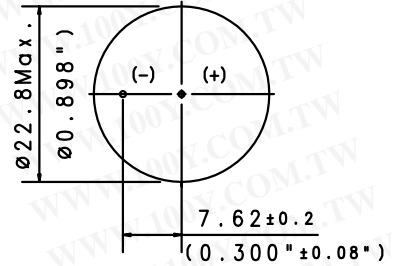
勝特力材料 886-3-5753170  
 勝特力电子(上海) 86-21-54151736  
 勝特力电子(深圳) 86-755-83298787  
[Http://www.100y.com.tw](http://www.100y.com.tw)

## TADIRAN LITHIUM BATTERIES

### TECHNICAL DATA

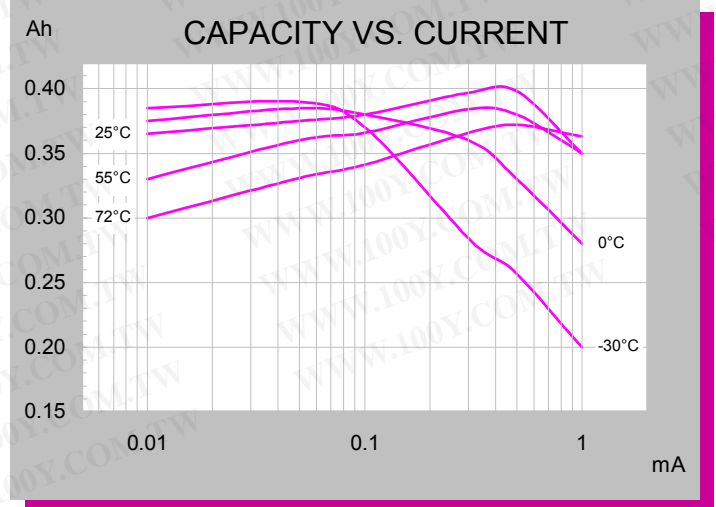
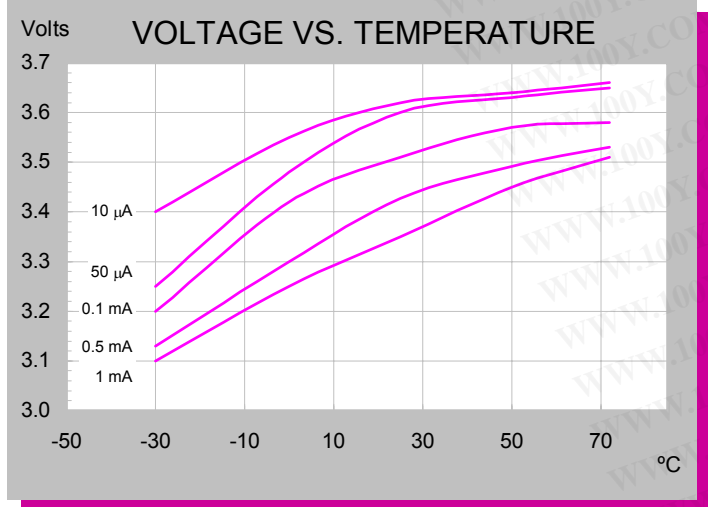
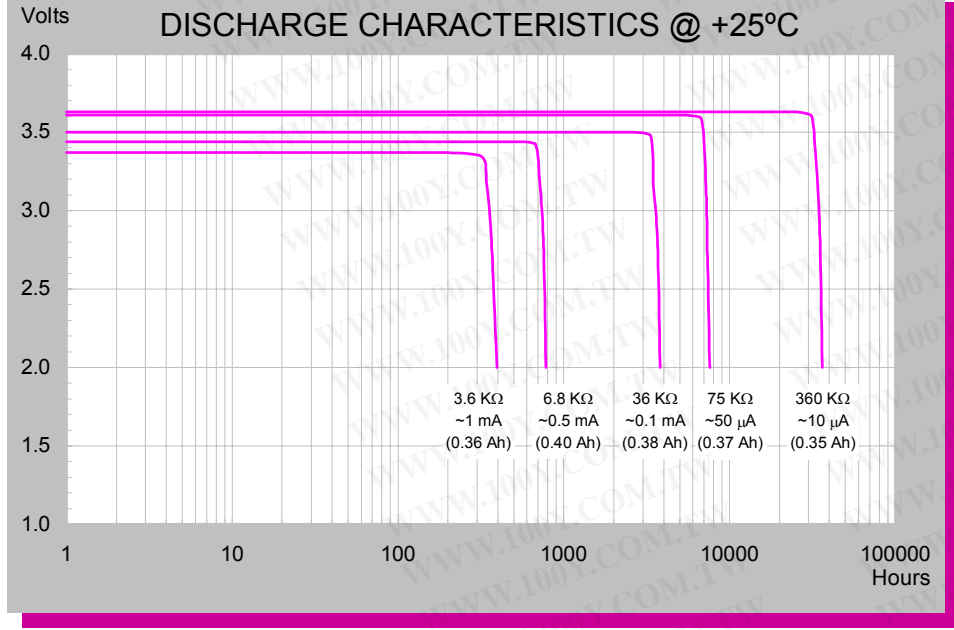
(Typical values @+25°C for batteries stored for one year or less)

■ Nominal capacity @ 0.5 mA, to 2V	0.40 Ah
■ Rated voltage	3.6 V
■ Weight	5.7g (0.201 oz)
■ Volume	1.35 cc
■ Operating temperature range	-55°C to +85°C
■ U.L. Component Recognition MH 12193	



### ADDITIONAL INFORMATION

SUFFIX- /P                      TIN PLATED NICKEL PINS  
 CATALOGUE NO.:                      15-5186-43000



# MEMORY BACKUP

Note: Any presentations in this data sheet concerning performance are for information purpose only and are not construed as warranties either expressed or implied, of future performance. Rev. D 05/03