

TRP-C39 User's Manual

Introductions

The TRP-C39 is an RS232/422/485 to fiber optic isolated converter that require a signal to be transmitted for distance up to 2KM, It also offer the data transmission security by using fiber optic transmission technology to provide immunity from EMI/RFI interference.

In other side the RS422 and RS485 protect the host computer from ground loops and destructive voltage spikes. This is recommended over longer cable runs or where ground potential differences can occur between host and client devices. Industry standard DIN rail or panel mount options enable fast and professional installation.

The RS485 control is completely transparent to the user and software written for HALF-Duplex RS232 works without any modification.

Specifications

ST (multi-mode) fiber port.

Support the fiber cable :62.5/125um.

Wavelength :850nm.

Minimum 3000V DC isolation protection .

Transient suppression on RS-485 data line.

Auto direction flow control on RS485 side.

Accept industrial standard +24V DC Unregulated power.

Auto switching the RS232/422 and RS485 signal.

PWR/Fiber-TX/Fiber-RX mode LED indicates.

Power requirement: +10V to +30V.

Support external standard DC jack power adapter input.

Two wire RS485 operation with automatic turnaround or four wires RS422 full duplex.

Distance: RS422/485 up to 4000ft. (1250 meters)

Format: Asynchronous data with any combination of bits, parity, stop.

Operating Temperature: -20 -65 .

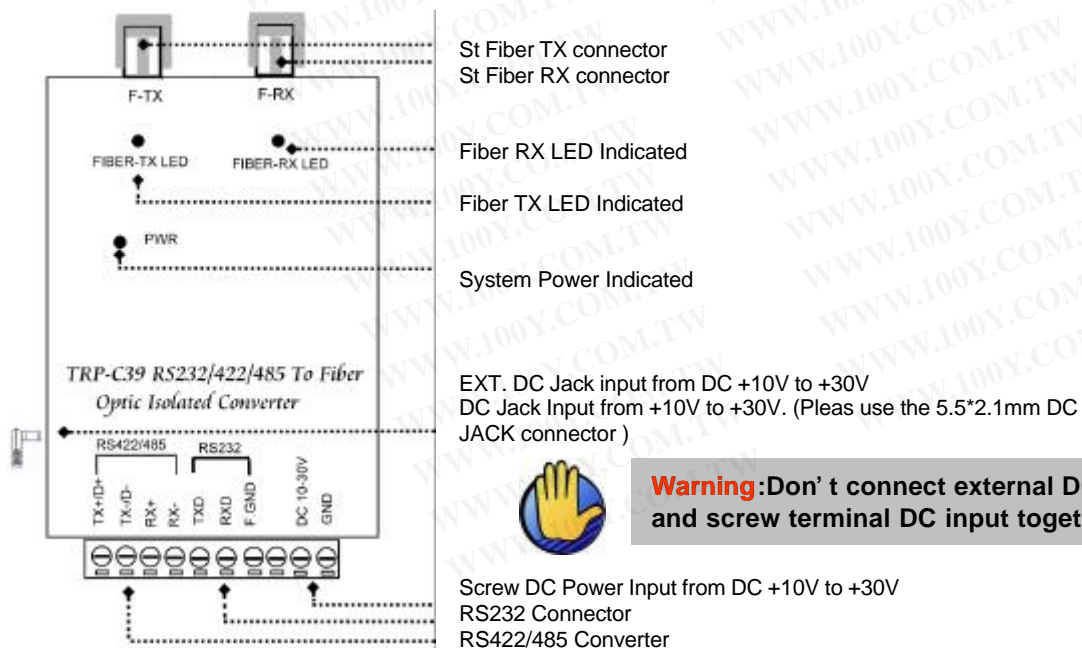
Humidity: 10-90% non-condensing.

Power: Under 1.8 Watt

Size: 74mm (W) X 111mm(L) X 26mm(H)

勝特力材料 886-3-5753170
勝特力电子(上海) 86-21-54151736
勝特力电子(深圳) 86-755-83298787
[Http://www.100y.com.tw](http://www.100y.com.tw)

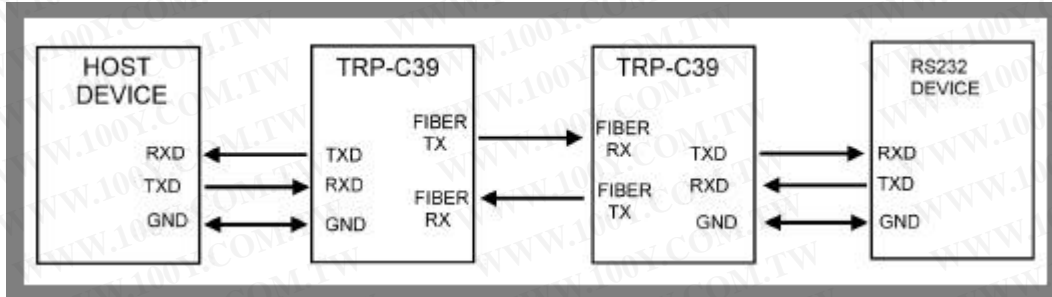
Pin Assignment



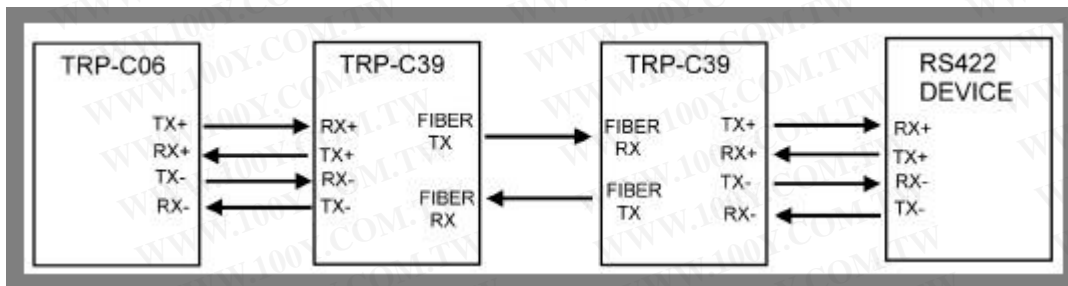
TRP-C39 User's Manual

Connectors and Cable

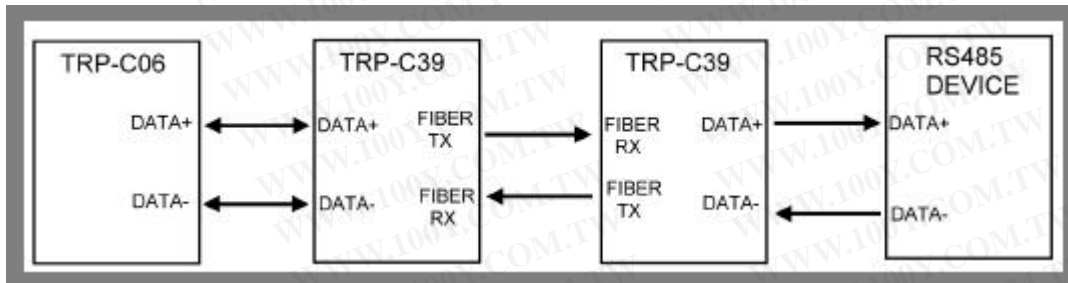
The RS232 Pin Wiring



The RS422 Pin Wiring

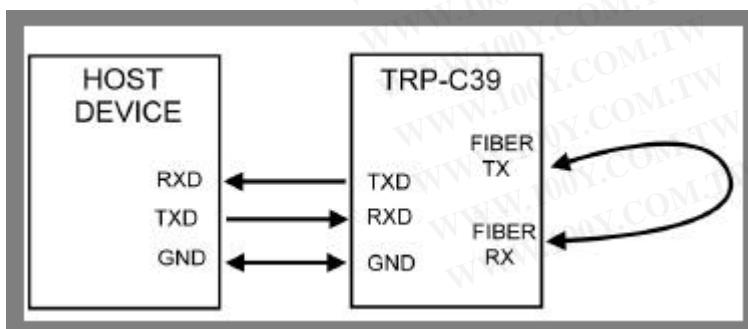


The RS485 Pin Wiring



PS.TRP-C06 RS232 to RS422/485 Isolated Converter.

The Loop Self Test Pin Wiring



MS-DOS test utility: Test232.exe
 Windows test utility: Demo.exe