

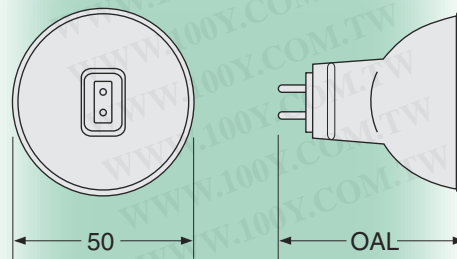
## TUNGSTEN HALOGEN LAMPS • MR-16 REFLECTOR

### JR 12V SERIES - EUROSTAR™

- Only for Use in Approved Halogen Fixtures
- Titanium Oxide Coated Reflector
- Axial Filament
- Low Voltage - 12 Volts
- Consistent Color
- Integrated UV Protection
- Precisely Focused Light Cone
- Cool Beam Effect
- Available with Front Glass Cover (/FG)



Watts	Ushio Ordering Code	Ushio Lamp Code	Dimension		Beam		Color Temp K	Avg Life h	Burn Position
			OAL mm	Filament Type	Angle	Max CP cd			
<b>2-Pin Base – GU5.3</b>									
10	1001107	JR12V-10W/NFL21	44.9	C-8	21°	600	2800	1500	Any
10	1001108	JR12V-10W/NFL21/FG	44.9	C-8	21°	600	2800	1500	Any
10	1003154	JR12V-10W/FL32	45.2	C-8	32°	400	2800	1500	Any
20	1000366	ESX, JR12V-20W/SP12	44.9	C-8	12°	3500	2950	5000	Any
20	1000370	ESX/FG, JR12V-20W/SP12/FG	45.2	C-8	12°	3500	2950	5000	Any
20	1000028	BBF, JR12V-20W/NFL24	44.9	C-8	24°	1200	2950	5000	Any
20	1000037	BBF/FG, JR12V-20W/NFL24/FG	45.2	C-8	24°	1200	2950	5000	Any
20	1000000	BAB, JR12V-20W/FL36	44.9	C-8	36°	600	2950	5000	Any
20	1000014	BAB/FG, JR12V-20W/FL36/FG	45.2	C-8	36°	600	2950	5000	Any
20	1000001	BAB/60, JR12V-20W/WFL60	44.9	C-8	60°	270	2950	5000	Any
20	1000004	BAB/60/FG, JR12V-20W/WFL60/FG	45.2	C-8	60°	2700	2950	5000	Any
35	1000548	FMT, JR12V-35W/SP12	44.9	C-8	12°	6000	2950	5000	Any
35	1000551	FMT/FG, JR12V-35W/SP12/FG	45.2	C-8	12°	6000	2950	5000	Any
35	1000552	FMV, JR12V-35W/NFL24	44.9	C-8	24°	2300	2950	5000	Any
35	1000559	FMV/FG, JR12V-35W/NFL24/FG	45.2	C-8	24°	2300	2950	5000	Any
35	1000564	FMW, JR12V-35W/FL36	44.9	C-8	36°	1300	2950	5000	Any
35	1000573	FMW/FG, JR12V-35W/FL36/FG	45.2	C-8	36°	1300	2950	5000	Any
35	1000565	FMW/60, JR12V-35W/WFL60	44.9	C-8	60°	510	2950	5000	Any
35	1000566	FMW/60/FG, JR12V-35W/WFL60/FG	45.2	C-8	60°	510	2950	5000	Any
50	1000416	EXT, JR12V-50W/SP12	44.9	C-8	12°	11000	3000	5000	Any
50	1000419	EXT/FG, JR12V-50W/SP12/FG	45.2	C-8	12°	11000	3000	5000	Any
50	1000424	EXZ, JR12V-50W/NFL24	44.9	C-8	24°	3600	3000	5000	Any
50	1000430	EXZ/FG, JR12V-50W/NFL24/FG	45.2	C-8	24°	3600	3000	5000	Any
50	1000398	EXN, JR12V-50W/FL36	44.9	C-8	36°	2000	3000	5000	Any
50	1000405	EXN/FG, JR12V-50W/FL36/FG	45.2	C-8	36°	2000	3000	5000	Any
50	1000589	FNV, JR12V-50W/WFL60	44.9	C-8	60°	850	3000	5000	Any
50	1000592	FNV/FG, JR12V-50W/WFL60/FG	45.2	C-8	60°	850	3000	5000	Any



GU5.3

勝特力材料 886-3-5753170  
 勝特力电子(上海) 86-21-54151736  
 勝特力电子(深圳) 86-755-83298787  
[Http://www.100y.com.tw](http://www.100y.com.tw)

## TUNGSTEN HALOGEN LAMPS • MR-16 REFLECTOR

### JR 12V & 24V SERIES - EUROSTAR™

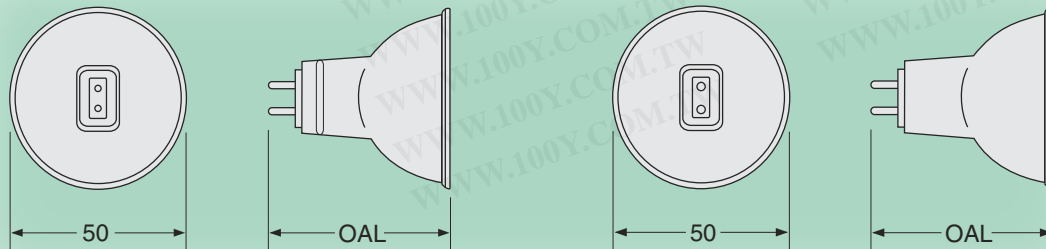
- Only for Use in Approved Halogen Fixtures
- 50mm Diameter Dichroic Coated Reflector
- 2-Pin Base
- 12 & 24 Volt
- Available with Front Glass Cover (FG)
- Consistent Color



Watts	Ushio Ordering Code	Ushio Lamp Code	Dimension	Filament	Beam		Color Temp K	Avg Life h	Burn Position
			OAL mm	Type	Angle	Max CP cd			
<b>2-Pin Base – GU5.3</b>									
75	1000451	EYF, JR12V-75W/SP12	44.9	C-8	12°	13000	3000	5000	Any
75	1000452	EYF/FG, JR12V-75W/SP12/FG	45.2	C-8	12°	13000	3000	5000	Any
75	1000454	EYJ/EZZ, JR12V-75W/NFL24	44.9	C-8	24°	4800	5000	5000	Any
75	1000455	EYJ/EZZ/FG, JR12V-75W/NFL24/FG	45.2	C-8	24°	4800	3000	5000	Any
75	1000444	EYC, JR12V-75W/FL36	44.9	C-8	36°	2700	3000	5000	Any
75	1000447	EYC/FG, JR12V-75W/FL36/FG	45.2	C-8	36°	2700	5000	5000	Any
75	1000445	EYC/60, JR12V-75W/WFL60	44.9	C-8	60°	1220	5000	5000	Any
75	1000446	EYC/60/FG, JR12V-75W/WFL60/FG	45.2	C-8	60°	1220	3000	5000	Any
<b>24V, 2-Pin Base – GU5.3</b>									
20	1001112	JR24V-20W/SP12	44.9	C-6	12°	3500	2900	2500	Any
20	1001113	JR24V-20W/SP12/FG	45.2	C-6	12°	3500	2900	2500	Any
20	1001114	JR24V-20W/FL36*	44.9	C-6	36°	600	2900	2500	Any
35	1003110	JR24V-35W/SP12*	44.9	C-6	12°	4600	2900	3500	Any
35	1003111	JR24V-35W/NFL24*	44.9	C-6	24°	1600	2900	3500	Any
35	1003112	JR24V-35W/FL36*	44.9	C-6	36°	900	2900	3500	Any
50	1003113	JR24V-50W/SP12*	44.9	C-6	12°	7000	2950	4000	Any
50	1003114	JR24V-50W/NFL24*	44.9	C-6	24°	2900	2950	4000	Any
50	1003115	JR24V-50W/FL36*	44.9	C-6	36°	1600	2950	4000	Any
<b>2-Pin Base – GX5.3</b>									
35	1000600	FRB, JR12V-35W/NSP, GX5.3	46.0	C-6	12°	7800	3000	3000	Any
42	1000461	EYR, JR12V-42W/SP12	46.0	CC-6	12°	9000	3000	4000	Any
42	1000462	EYS, JR12V-42W/NFL23	46.0	CC-6	23°	2800	3000	4000	Any
42	1000460	EYP, JR12V-42W/FL38	46.0	CC-6	38°	1400	3000	4000	Any
65	1000595	FPA, JR12V-65W/SP13	46.0	CC-6	13°	11500	3050	4000	Any
65	1000596	FPB, JR12V-65W/FL/FL38	46.0	CC-6	38°	2000	3050	4000	Any
65	1003050	FPB/FG, JR12V-65W/FL38/FG	46.0	CC-6	38°	2000	3050	4000	Any

\* Front glass versions available

**勝特力材料 886-3-5753170**  
**胜特力电子(上海) 86-21-54151736**  
**胜特力电子(深圳) 86-755-83298787**  
[Http://www.100y.com.tw](http://www.100y.com.tw)



GU5.3

GX5.3

## TUNGSTEN HALOGEN LAMPS • MR-16 EUROSTAR REFLEKTO™

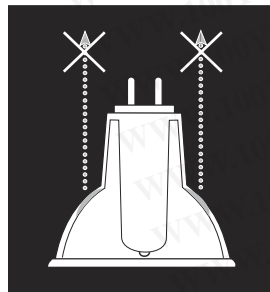
### EUROSTAR REFLEKTO™

- Only for Use in Approved Halogen Fixtures
- Axial Filament
- Universal Burn Position
- Aluminized Multimirror Reflector
- Consistent Color
- Available with Front Glass Cover (/FG)
- Low Voltage - 12 Volt
- Integrated UV Protection
- Less heat to back of the lamp
- Precisely Focused Light Cone

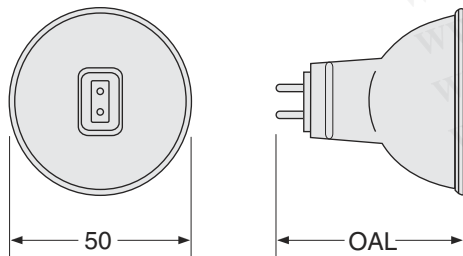


Watts	Ushio Ordering Code	Ushio Lamp Code	Dimension OAL mm	Color Temp K	Beam			Avg Life h
					Angle	Spread	Max CP cd	
<b>2-Pin Base – GU5.3 - Multimirror Reflector</b>								
10	1002143	JR12V-10W/NFL24/A, EUROSTAR-REFLEKTO	44.9	2800	24°	Narrow Flood	400	1200
20	1000368	ESX/C/A, EUROSTAR-REFLEKTO	44.9	2950	12°	Spot	3500	3500
20	1000369	ESX/C/A/FG, EUROSTAR-REFLEKTO	44.9	2950	12°	Spot	3500	3500
20	1000033	BBF/C/A/FG, EUROSTAR-REFLEKTO	44.9	2950	24°	Narrow Flood	1200	3500
20	1000009	BAB/C/A, EUROSTAR-REFLEKTO	44.9	2950	36°	Flood	600	3500
20	1000010	BAB/C/A/FG, EUROSTAR-REFLEKTO	44.9	2950	36°	Flood	600	3500
35	1000549	FMT/C/A, EUROSTAR-REFLEKTO	44.9	2950	12°	Spot	6000	3500
35	1000550	FMT/C/A/FG, EUROSTAR-REFLEKTO	44.9	2950	12°	Spot	6000	3500
35	1000556	FMV/C/A, EUROSTAR-REFLEKTO	44.9	2950	24°	Narrow Flood	2300	3500
35	1000557	FMV/C/A/FG, EUROSTAR-REFLEKTO	44.9	2950	24°	Narrow Flood	2300	3500
35	1000570	FMW/C/A, EUROSTAR-REFLEKTO	44.9	2950	36°	Flood	1300	3500
35	1000571	FMW/C/A/FG, EUROSTAR-REFLEKTO	44.9	2950	36°	Flood	1300	3500
35	1001682	FMW/60/C/A, EUROSTAR-REFLEKTO	44.9	2950	60°	Wide Flood	510	3500
35	1001683	FMW/60/C/A/FG, EUROSTAR-REFLEKTO	44.9	2950	60°	Wide Flood	510	3500
50	1000417	EXT/C/A, EUROSTAR-REFLEKTO	44.9	3000	12°	Spot	11000	3500
50	1000418	EXT/C/A/FG, EUROSTAR-REFLEKTO	44.9	3000	12°	Spot	11000	3500
50	1000427	EXZ/C/A, EUROSTAR-REFLEKTO	44.9	3000	24°	Narrow Flood	3600	3500
50	1000428	EXZ/C/A/FG, EUROSTAR-REFLEKTO	44.9	3000	24°	Narrow Flood	3600	3500
50	1000402	EXN/C/A, EUROSTAR-REFLEKTO	44.9	3000	36°	Flood	2000	3500
50	1000403	EXN/C/A/FG, EUROSTAR-REFLEKTO	44.9	3000	36°	Flood	2000	3500
50	1000590	FNV/C/A, EUROSTAR-REFLEKTO	44.9	3000	60°	Wide Flood	850	3500
50	1000591	FNV/C/A/FG, EUROSTAR-REFLEKTO	44.9	3000	60°	Wide Flood	850	3500

Refleкто™ lamps are made with an aluminum dichroic deposition process for an 80% reduction in heat emission through the back of the lamp.



With no light diffusion from back-spill, all visible light is projected through the front of the lamp. Excellent for high light output requirements.



GU5.3

勝特力材料 886-3-5753170  
 勝特力电子(上海) 86-21-54151736  
 勝特力电子(深圳) 86-755-83298787  
[Http://www.100y.com.tw](http://www.100y.com.tw)



60° Beam Spread



## TUNGSTEN HALOGEN LAMPS • MR-16 SUPERLINE™ & SUPERLINE REFLEKTO™

### MR-16 SUPERLINE™ & SUPERLINE REFLEKTO™

- Only for Use in Approved Halogen Fixtures
- 50mm Diameter Multilense Reflector
- Excellent Center-to-Edge Beam Uniformity
- Consistent Color
- Low Voltage - 12 Volt
- Integrated UV Protection
- Universal Burn Position
- Available with Front Glass Cover (FG)

Decorative Aluminum Coating in matte colors black and silver



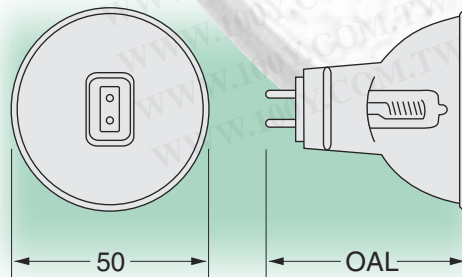
Watts	Ushio Ordering Code	Ushio Lamp Code	Dimension OAL mm	Color Temp K	Beam			Avg Life h
					Angle	Spread	Max CP cd	
<b>SUPERLINE™, Superior Beam Spread – GU5.3 Base</b>								
20	1000038	BBF/FG/SL, SUPERLINE	45	2950	24°	Narrow Flood	870	5000
20	1000043	BBF/SL, SUPERLINE	45	2950	24°	Narrow Flood	870	5000
20	1000015	BAB/FG/SL, SUPERLINE	45	2950	36°	Flood	510	5000
20	1000020	BAB/SL, SUPERLINE	45	2950	36°	Flood	510	5000
35	1000563	FMV/SL, SUPERLINE	45	2950	24°	Narrow Flood	2000	5000
35	1000560	FMV/FG/SL, SUPERLINE	45	2950	24°	Narrow Flood	2000	5000
35	1000577	FMW/SL, SUPERLINE	45	2950	36°	Flood	1200	5000
35	1000574	FMW/FG/SL, SUPERLINE	45	2950	36°	Flood	1200	5000
50	1000440	EXZ/SL, SUPERLINE	45	3050	24°	Narrow Flood	3000	5000
50	1000431	EXZ/FG/SL, SUPERLINE	45	3050	24°	Narrow Flood	3000	5000
50	1000406	EXN/FG/SL, SUPERLINE	45	3050	36°	Flood	1580	5000
50	1000409	EXN/SL, SUPERLINE	45	3050	36°	Flood	1580	5000
<b>SUPERLINE-REFLEKTO™, Aluminized Colored Back – GU5.3 Base</b>								
20	1000005	BAB/B, REFLEKTO BLACK	45	2900	36°	Flood	510	3500
20	1000007	BAB/B/FG, REFLEKTO BLACK	45	2900	36°	Flood	510	3500
20	1000018	BAB/S, REFLEKTO SILVER	45	2900	36°	Flood	510	3500
20	1000019	BAB/S/FG, REFLEKTO SILVER	45	2900	36°	Flood	510	3500
35	1000567	FMW/B, REFLEKTO BLACK	45	2950	36°	Flood	1200	3500
35	1000568	FMW/B/FG, REFLEKTO BLACK	45	2950	36°	Flood	1200	3500
35	1000575	FMW/S, REFLEKTO SILVER	45	2950	36°	Flood	1200	3500
35	1000576	FMW/S/FG, REFLEKTO SILVER	45	2950	36°	Flood	1200	3500
50	1001652	EXZ/B, REFLEKTO BLACK	45	3000	24°	Narrow Flood	3000	3500
50	1000425	EXZ/B/FG, REFLEKTO BLACK	45	3000	24°	Narrow Flood	3000	3500
50	1001653	EXZ/S, REFLEKTO SILVER	45	3000	24°	Narrow Flood	3000	3500
50	1000439	EXZ/S/FG, REFLEKTO SILVER	45	3000	24°	Narrow Flood	3000	3500
50	1000399	EXN/B, REFLEKTO BLACK	45	3000	36°	Flood	1580	3500
50	1000400	EXN/B/FG, REFLEKTO BLACK/WIDE	45	3000	36°	Flood	1580	3500
50	1000407	EXN/S, REFLEKTO SILVER	45	3000	36°	Flood	1580	3500
50	1000408	EXN/S/FG, REFLEKTO SILVER/WIDE	45	3000	36°	Flood	1580	3500

Standard Multimirror Reflector Lamps



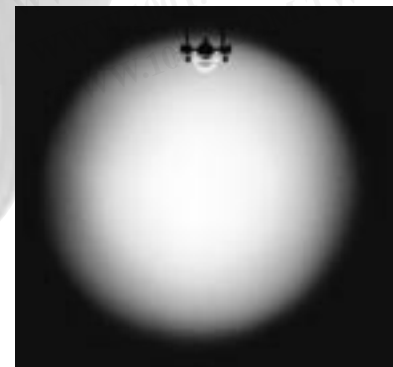
All Photos: 20 Watt, flood distribution, taken 1 meter from screen

The geometry of the Multilense Reflector together with an axial filament design, guarantees an absolute uniform appearance across the beam without unsightly, dark spots or rings.



GU5.3

Superline™- Multilense Reflector



# TUNGSTEN HALOGEN LAMPS MR-16 SPECIALTY DICHROIC COATINGS

**勝特力材料 886-3-5753170**  
**勝特力电子(上海) 86-21-54151736**  
**勝特力电子(深圳) 86-755-83298787**  
[Http://www.100y.com.tw](http://www.100y.com.tw)

## SPECIALTY LAMPS

- Only for Use in Approved Halogen Fixtures
- 50mm Diameter Multilens Reflector
- UV-Cut Halogen Capsule
- Low Voltage - 12 Volt
- 2-Pin Base
- Universal Burn Position
- Integrated Front Glass Cover (/FG)

Watts	Ushio Ordering Code	Ushio Lamp Code	Dimension	Color	Beam Angle	Beam	Max CP cd	Avg Life h
			OAL mm	Temp K		Spread		
<b>WHITESTAR™ High Color Temperature 2-Pin Base – GU5.3</b>								
35	1003340	FMW/FG/WS/4200, WHITESTAR	45.2	4200	36°	Flood	600	4000
35	1003341	FMW/FG/WS/5300, WHITESTAR	45.2	5300	36°	Flood	500	4000
50	1002286	EXZ/FG/WS/4200, WHITESTAR	45.2	4200	24°	Narrow Flood	2000	4000
50	1002249	EXN/FG/WS/4200, WHITESTAR	45.2	4200	36°	Flood	1200	4000
50	1002287	EXT/FG/WS/4700, WHITESTAR	45.2	4700	12°	Spot	5000	4000
50	1003225	EXN/FG/WS/5300, WHITESTAR	45.2	5300	36°	Flood	600	4000
50	1003224	EXZ/FG/WS/5300, WHITESTAR	45.2	5300	24°	Narrow Flood	1100	4000
50	1003226	EXT/FG/WS/6500, WHITESTAR	45.2	6500	12°	Spot	3300	4000
<b>POPSTAR™ Colored Dichroic Lens 2-Pin Base – GU5.3</b>								
50	1000580	FNC/FG, JR12V-50W/FG	45.2	Yellow	12°	Spot	9000	4000
50	1000582	FND/FG, JR12V-50W/FG	45.2	Red	12°	Spot	2000	4000
50	1000584	FNE/FG, JR12V-50W/FG	45.2	Green	12°	Spot	4400	4000
50	1000586	FNF/FG, JR12V-50W/FG	45.2	Blue	12°	Spot	2200	4000
50	1003132	EXT/OR/FG, JR12V-50W/FG	45.2	Orange	12°	Spot	5000	4000
50	1003200	EXT/MG/FG, JR12V-50W/FG	45.2	Magenta	12°	Spot	4400	4000
<b>NEODYMIUM 2-Pin Base – GX5.3</b>								
50	1000435	EXZ/N NEODYMIUM COATED	47.0	—	24°	Narrow Flood	2000	2000



WHITESTAR™



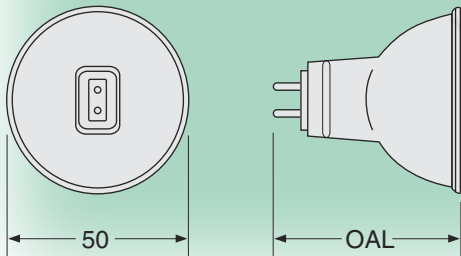
POPSTAR™



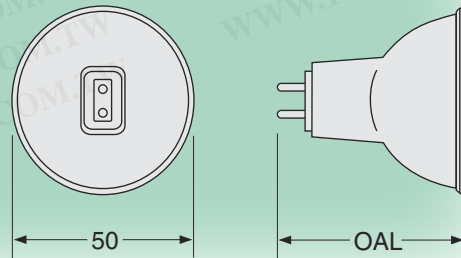
NEODYMIUM

The **Whitestar™ 4200K** lamp was designed to provide a full spectrum MR-16 for display and task lighting. This high color temperature lamp projects a high luminous intensity with low ultraviolet and infrared emissions to protect artwork and valuable merchandise.

The **EXZ/N** neodymium coated EXZ reduces yellow content, enhancing reds, blues, and purples.



GU5.3



GX5.3

# TUNGSTEN HALOGEN LAMPS • MR-16 REFLECTOR

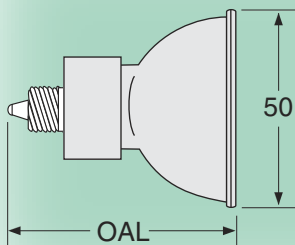
勝特力材料 886-3-5753170  
 勝特力电子(上海) 86-21-54151736  
 勝特力电子(深圳) 86-755-83298787  
[Http://www.100y.com.tw](http://www.100y.com.tw)

## JDR SERIES

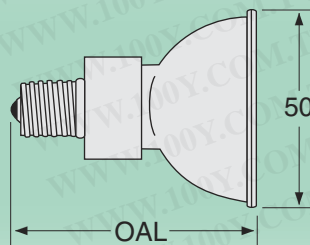
- Only for Use in Approved Enclosed Halogen Fixtures
- 50mm Dichroic Coated Reflector
- Line Voltage - 120 Volt
- Operate Base Up
- Mini Candelabra Screw Base
- Intermediate Screw Base
- Medium Screw Base

Watts	Ushio Ordering Code	Ushio Lamp Code	ANSI Code	Dimensions		Beam Spread	Max CP cd	Color Temp K	Avg Life h
				OAL mm	Angle				
<b>Minican Screw Base - E11</b>									
100	1002223	JDR120V-100W/FL36		50	36°	Wide	3000	3000	2000
<b>Intermediate Screw Base - E17</b>									
75	1001032	JDR120V-75WL/SP14	FSA	75	14°	Narrow	5000	3000	2000
75	1001030	JDR120V-75WL/NFL24	FSB	75	24°	Medium	1800	3000	2000
75	1001033	JDR120V-75WL/FL38	FSD	75	38°	Wide	1300	3000	2000
100	1001013	JDR120V-100WL/SP12	FSC	75	14°	Narrow	7100	3000	2000
100	1001011	JDR120V-100WL/NFL24	FSE	75	24°	Medium	4200	3000	2000
100	1001016	JDR120V-100WL/FL38	FSF	75	38°	Wide	2800	3000	2000
<b>Medium Screw Base - E26</b>									
75	1001834	JDR120V-75WL/SP14		75	14°	Narrow	5000	3000	2000
75	1001022	JDR120V-75W/NFL20/FG*		75	20°	Medium	2800	3000	2000
75	1001031	JDR120V-75WL/NFL24		75	24°	Medium	2800	3000	2000
75	1001836	JDR120V-75WL/FL30		75	30°	Wide	2100	3000	2000
75	1001029	JDR120V-75W/FL30/FG*		75	30°	Wide	2100	3000	2000
100	1001014	JDR120V-100WL/SP10		75	10°	Narrow	6300	3000	2000
100	1001012	JDR120V-100WL/NFL20		75	20°	Medium	4200	3000	2000
100	1001017	JDR120V-100WL/FL30		75	30°	Wide	2500	3000	2000

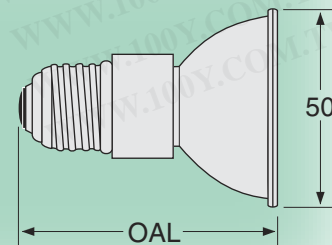
\* Front glass versions available



E11



E17



E26



## TUNGSTEN HALOGEN LAMPS • PARABOLIC ALUMINIZED REFLECTOR

### PAR SERIES

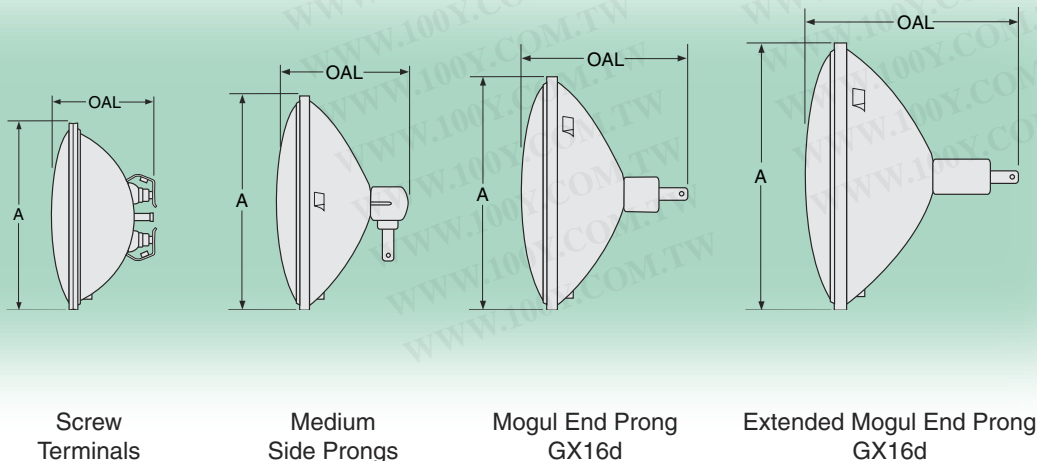
- Only for Use in Approved Enclosed Halogen Fixtures
- PAR 36 - 4 1/2" Diameter; PAR46 - 5 3/4" Diameter; PAR56 - 7" Diameter; PAR64 - 8" Diameter
- Operate in Any Position



Watts	Ushio Ordering Code	Ushio Lamp Code	Dimensions mm		Approx Field Angle Degrees <sup>1</sup>	Approx Field Beam Degrees <sup>2</sup>	Approx Field Lumens Im <sup>3</sup>	Beam Spread	Color Temp K	Ave Life h
			Dia (A)	OAL (B)						
<b>PAR36</b>										
650	1000226	DWE, Q650PAR36/1 MFL	127.0	69.9	—	—	—	Medium Flood	3200	100
with screw terminals										
<b>PAR46 w/Medium Side Prongs</b>										
200	1001441	200PAR46/3NSP	143.1	101.6	—	—	—	Narrow Spot	2750	2000
200	1001439	200PAR46/3MFL	142.3	101.6	—	—	—	Medium Flood	2750	2000
<b>PAR56 – Mogul End Prong (GX16d) Base</b>										
300	1001456	300PAR56/NSP	178.6	127.0	20x14	10x8	1800	Narrow Spot	2750	2000
300	1001453	300PAR56/MFL	178.6	127.0	34x19	23x11	2100	Medium Flood	2750	2000
300	1001457	300PAR56/WFL	178.6	127.0	57x27	37x18	2200	Wide Flood	2750	2000
500	1001282	Q500PAR56/NSP	178.6	127.0	32x15	13x8	4000	Narrow Spot	2950	4000
500	1001281	Q500PAR56/MFL	178.6	127.0	42x20	26x10	4800	Medium Flood	2950	4000
500	1001284	Q500PAR56/WFL	178.6	127.0	66x34	44x20	6400	Wide Flood	2950	4000
<b>PAR64 – Extended Mogul End Prong (GX16d) Base</b>										
500	1001495	500PAR64/NSP	205.7	152.4	—	—	6500	Narrow Spot	2850	2000
500	1001493	500PAR64/MFL	205.7	152.4	—	—	6500	Medium Flood	3000	2000
500	1001497	500PAR64/WFL	205.7	152.4	—	—	6500	Wide Flood	2850	2000
1000	1000519	FFN, PAR64/VNSP	205.7	152.4	24x10	12x6	11000	Very Narrow Spot	3150	800
1000	1000520	FFP, PAR64/NSP	205.7	152.4	26x14	14x7	12000	Narrow Spot	3150	800
1000	1000521	FFR, PAR64/MFL	205.7	152.4	44x21	28x12	14000	Medium Flood	3150	800
1000	1000522	FFS, PAR64/WFL	205.7	152.4	71x45	48x24	19000	Wide Flood	3150	800

勝特力材料 886-3-5753170  
 勝特力电子(上海) 86-21-54151736  
 勝特力电子(深圳) 86-755-83298787  
[Http://www.100y.com.tw](http://www.100y.com.tw)

- <sup>1</sup> Beam Spread at 10% peak candle power  
<sup>2</sup> Beam Spread at 50% peak candle power  
<sup>3</sup> Measured within field angle



Screw Terminals

Medium Side Prongs

Mogul End Prong GX16d

Extended Mogul End Prong GX16d

## FLUORESCENT BLACKLIGHT BLUE

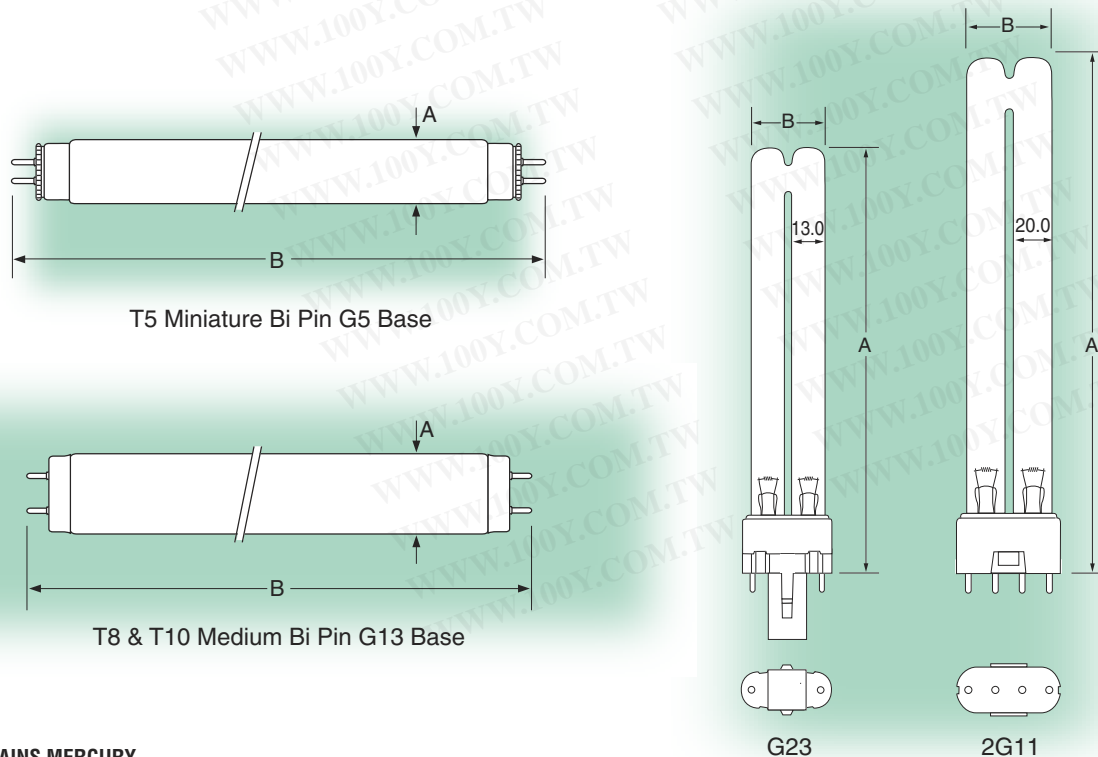
### BLACKLIGHT BLUE FLUORESCENT LAMPS

- Linear Fluorescent Lamps
- High CRI

**勝特力材料 886-3-5753170**  
**勝特力电子(上海) 86-21-54151736**  
**勝特力电子(深圳) 86-755-83298787**  
[Http://www.100y.com.tw](http://www.100y.com.tw)

Watts	Ushio Ordering Code	Ushio Lamp Code	Dimensions mm		Current A	Volts V	Spectral Peak (nm)	UV Output (W)	Avg Life h	Base
			Dia (A)	OAL (B)						
<b>BLACKLIGHT BLUE T-5 DIAMETER</b>										
4.5	3000106	F4T5BLB	15.5	134.5	0.170	29	306	0.5	3000	G5
6	3000111	F6T5BLB	15.5	210.5	0.160	42	368	1.0	3000	G5
7.2	3000116	F8T5BLB	15.5	287.0	0.145	57	368	1.2	3000	G5
<b>BLACKLIGHT BLUE T-8 DIAMETER</b>										
9.5	3000305	F10T8BLB	25.5	330.0	0.230	46	368	1.5	4000	G13
15.0	3000078	F15T8BLB	25.5	436.0	0.305	55	368	2.6	4000	G13
18.0	3000307	F18T8BLB	25.5	588.5	0.370	57	368	3.7	4000	G13
30.5	3000148	F30T8BLB	25.5	893.0	0.355	99	368	6.3	4000	G13
36.0	3000308	F36T8BLB*	25.5	1198.0	0.430	103	368	8.1	8000	G13
<b>BLACKLIGHT BLUE T-10 DIAMETER</b>										
19	3000306	F20T10/BLB*	32.5	588.5	0.360	58	368	3.7	4000	G13
39.5	3000138	F40T10/BLB/R (RAPID START)	32.5	1198.0	0.420	106	368	8.1	5000	G13
<b>BLACKLIGHT BLUE, COMPACT</b>										
5.5	3000329	FPX5BLB	28.0	85.0	0.180	35	368	0.7	4000	G23
7.0	3000330	FPX7BLB	28.0	115.0	0.180	45	368	1.0	4000	G23
9.0	3000325	FPX9BLB	28.0	145.0	0.180	59	368	1.4	4000	G23
11.8	3000326	FPX11BLB	28.0	215.0	0.155	91	368	1.7	4000	G23
18.0	3000327	FPX18KBLB	40.0	225.0	0.375	58	368	3.3	4000	2G11

\* Preheat



- LAMP CONTAINS MERCURY  
 Manage in Accord with Disposal Laws  
 See: [www.lamprecycle.org](http://www.lamprecycle.org)



## COLORED METAL HALIDE LAMPS • SINGLE & DOUBLE ENDED

### COLORLITE™ SERIES

- Consistent Color
- High Color Saturation
- No Color Filter or Gels Required for Fixture
- 6,000 Hours Useful Life

Please see Safety and Handling Instructions on page 85.



Watts	Ushio Ordering Code	Ushio Lamp Code	Volts	Lamp Current A	Dimensions mm			Luminous Flux lm	Wavelength nm	Saturation %	ANSI Ballast/Fixture	Burn Position	Case Qty
					Dia (A)	MOL (B)	LCL (C)						
<b>Single Ended – E39 Mogul Screw Base</b>													
250	5001484	UHI-S250/E39/BLUE	—	3.00	46	225	150	5400	465	66	M80/E*	Univ	12
250	5001485	UHI-S250/E39/GREEN	—	3.00	46	225	150	21000	530	50	M80/E*	Univ	12
250	5001486	UHI-S250/E39/MAGENTA	—	3.00	46	225	150	11000	-560	29	M80/E*	Univ	12
250	5001487	UHI-S250/E39/ORANGE	—	3.00	46	225	150	17000	595	54	M80/E*	Univ	12
400	5000947	UHI-S400BL, BLUE	—	3.25	46	275	175	8000	465	66	M59/E	Univ	12
400	5000946	UHI-S400GR, GREEN	—	3.25	46	275	175	35000	535	63	M59/E	Univ	12
400	5000948	UHI-S400MG, MAGENTA	—	3.25	46	275	175	21000	-500	25	M59/E	Univ	12
1000	5001189	UHI-S1000BL, BLUE	—	4.10	76	340	220	22000	455	61	M47/E	H <sup>±</sup> 60°	6
1000	5001188	UHI-S1000GR, GREEN	—	4.10	76	340	220	92000	535	60	M47/E	H <sup>±</sup> 60°	6
<b>Single Ended – E26 Medium Screw Base</b>													
150	5001453	UHI-S150/E26/BLUE	—	1.80	54	138	86	3900	470	70	M102/E	Univ	12
150	5001452	UHI-S150/E26/GREEN	—	1.80	54	138	86	12500	530	46	M102/E	Univ	12
150	5001498	UHI-S150/E26/MAGENTA	—	1.80	54	138	86	7500	-530	43	M102/E	Univ	12
150	5001499	UHI-S150/E26/ORANGE	—	1.80	54	138	86	11200	600	54	M102/E	Univ	12
175	5001455	UHI-S175/E26/BLUE	—	1.50	54	138	86	3900	470	70	M57/E	Univ	12
175	5001454	UHI-S175/E26/GREEN	—	1.50	54	138	86	12500	530	46	M57/E	Univ	12
175	5001500	UHI-S175/E26/MAGENTA	—	1.50	54	138	86	7500	-530	43	M57/E	Univ	12
175	5001501	UHI-S175/E26/ORANGE	—	1.50	54	138	86	11200	600	54	M57/E	Univ	12
<b>Double Ended – RX7s Base</b>													
150	5000821	UHI-150BL, BLUE	95	1.80	23	132	66	3000	465	56	M81/E	H <sup>±</sup> 45°	10
150	5000822	UHI-150GR, GREEN	95	1.80	23	132	66	9500	535	50	M81/E	H <sup>±</sup> 45°	10
150	5000823	UHI-150MG, MAGENTA	95	1.80	23	132	66	8000	-515	33	M81/E	H <sup>±</sup> 45°	10
150	5000824	UHI-150OR, ORANGE	95	1.80	23	132	66	10000	595	60	M81/E	H <sup>±</sup> 45°	10

**Recommended Ignition Voltage:** 4kV

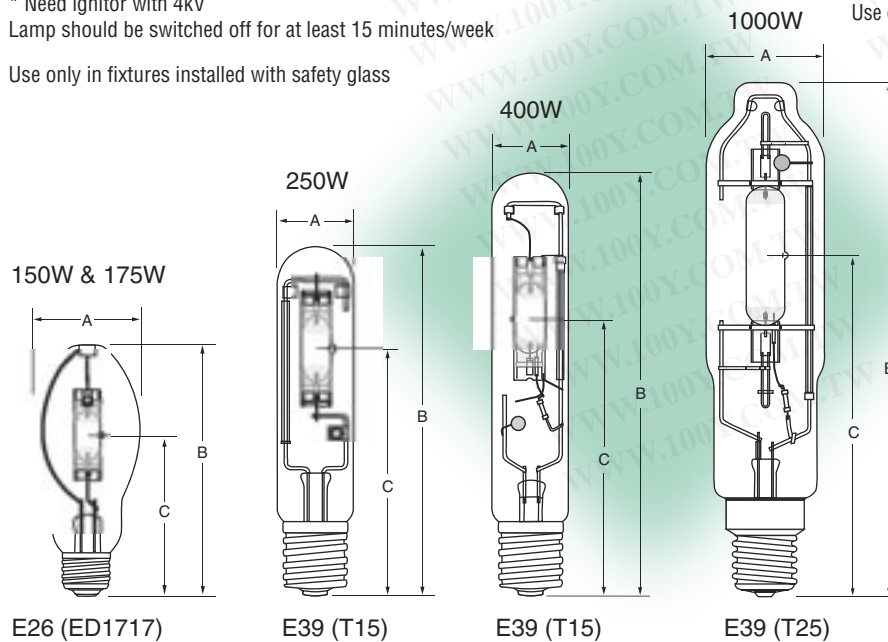
\* Need ignitor with 4kV

Lamp should be switched off for at least 15 minutes/week

Use only in fixtures installed with safety glass

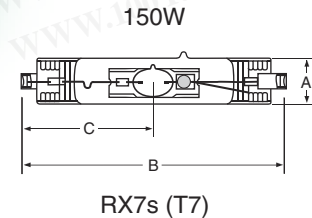
**/E = Enclosed Fixture Required**

Use only in fixtures installed with tempered safety glass.



**Average Life:**

- RX7s– 150W = 6000 hours
- ED17– 150W, 175W = 6000 hours
- T15– 250W, 400W = 8000 hours
- T25– 1000W = 6000 hours



**(Hg) - LAMP CONTAINS MERCURY**  
 Manage in Accord with Disposal Laws  
 See: [www.lamprecycle.org](http://www.lamprecycle.org)

# COMPACT METAL HALIDE LAMPS • SINGLE ENDED

## EUROSPOT™ UHI SERIES

- Color Stable
- High Efficacy - 80 Lm/W
- Long Life - 10,000 Hours Average
- Compact Design
- 80 Color Rendering Index
- UV Protection

Please see Safety and Handling Instructions on page 85.



Watts	Ushio Ordering Code	Ushio Lamp Code	Volts	Amps	Dimensions mm				Color Temp K	Luminous Flux lm	Avg Life h*	Ballast
					Dia (A)	OAL (B)	LCL (C)	Arc Gap				
<b>2-Pin Base – G12 Axial - Arc 88mm, Short length</b>												
75	5000207	UHI-S75DWS/UVF	95	0.9	23	88	46	8.5	3000	6000	10000	M98/E
75	5000202	UHI-S75DMS/UVF	95	0.9	23	88	46	8.5	4200	5600	10000	M98/E
<b>Axial Arc 99mm, Long length</b>												
75	5000439	UHI-S75DW/UVF	95	0.9	23	99	56	8.5	3000	6000	10000	M98/E
75	5000200	UHI-S75DM/UVF	95	0.9	23	99	56	8.5	4200	5600	10000	M98/E
150	5000950	UHI-S150DW/A/UVF	95	1.8	23	99	56	6.5	3000	13000	10000	M102/E
150	5000875	UHI-S150DM/A/UVF	95	1.8	23	99	56	6.5	4200	13000	10000	M102/E

Burn Position: Universal 360°

Recommended Ignition Voltage: 4kV

Lamp should be switched off for at least 15 minutes/week

Use only in fixtures installed with safety glass

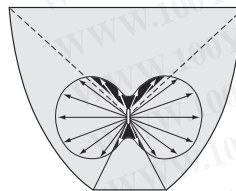
### Lamp Code Suffix Designation

- DWS = Warm White, Shorter version
- DW = Warm White
- DMS = Cool White, Shorter version
- DM = Cool White

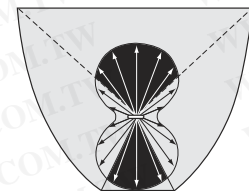
All dimensions shown in inches unless otherwise noted.

/E = Enclosed Fixture Required

USHIO has incorporated an axial arc-tube which not only increases raw lumen output, but allows light to be more efficiently collected within a reflector

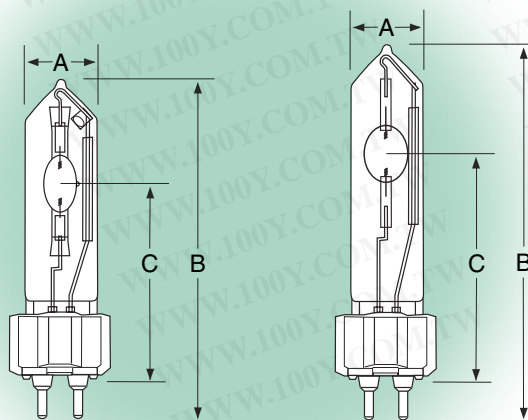


Axial, low stray light portion: approximately 30% higher luminous efficiency can be attained by axial arrangement



Transverse, high stray light portion; stray light leads to dazzle or loss

勝特力材料 886-3-5753170  
 勝特力电子(上海) 86-21-54151736  
 勝特力电子(深圳) 86-755-83298787  
[Http://www.100y.com.tw](http://www.100y.com.tw)



G12

G12 (150W)

**Hg** - LAMP CONTAINS MERCURY  
 Manage in Accord with Disposal Laws  
 See: [www.lamprecycle.org](http://www.lamprecycle.org)

# CERAMIC METAL HALIDE LAMPS • SINGLE & DOUBLE ENDED

## CERAMIQUE™ SERIES

- High Color Rendering - 80 CRI
- Ceramique Arc Tube
- Consistent Color
- Long Life

Please see Safety and Handling Instructions on page 85.



Watts	Ushio Ordering Code	Ushio Lamp Code	Lamp Current A	Dimensions mm			Color Temp K	Luminous Flux lm	Avg Life h	ANSI Ballast/Fixture
				Dia (A)	MOL (B)	LCL (C)				
<b>Single Ended – G12 Base</b>										
39	5001320	CMS-39/T4.5/830/G12	0.50	14.5	100	56	3000	3400	10000	M130/E
70	5001321	CMS-70/T6/830/G12	0.98	19.0	100	56	3000	6200	12000	M85/E, M98/E, M139/E
70	5001322	CMS-70/T6/942/G12	0.98	19.0	100	56	4200	6400	12000	M85/E, M98/E, M139/E
150	5001323	CMS-150/T6/830/G12	1.85	19.0	110	56	3000	14000	12000	M81/E, M102/E, M142/E
150	5001324	CMS-150/T6/942/G12	1.85	19.0	110	56	4200	13000	12000	M81/E, M102/E, M142/E
<b>Double Ended – RX7s Base</b>				<b>C-to-C</b>						
70	5001410	CMD-70/TD/828/RX7S	0.90	20.0	114.2	—	2800	6500	8000	M85/E, M98/E, M139/E
70	5001316	CMD-70/TD/830/RX7S	0.90	20.0	114.2	—	3000	7000	15000	M85/E, M98/E, M139/E
70	5001317	CMD-70/TD/942/RX7S	0.90	20.0	114.2	—	4200	7000	15000	M85/E, M98/E, M139/E
150	5001318	CMD-150/TD/830/RX7S	1.80	23.0	132.0	—	3000	14500	15000	M81/E, M102/E, M142/E
150	5001319	CMD-150/TD/942/RX7S	1.80	23.0	132.0	—	4200	12500	15000	M81/E, M102/E, M142/E

### Burn Position:

G12 Base: Universal 360°

RX7s Base: Horizontal ±45°

### Recommended Ignition Voltage: 4kV

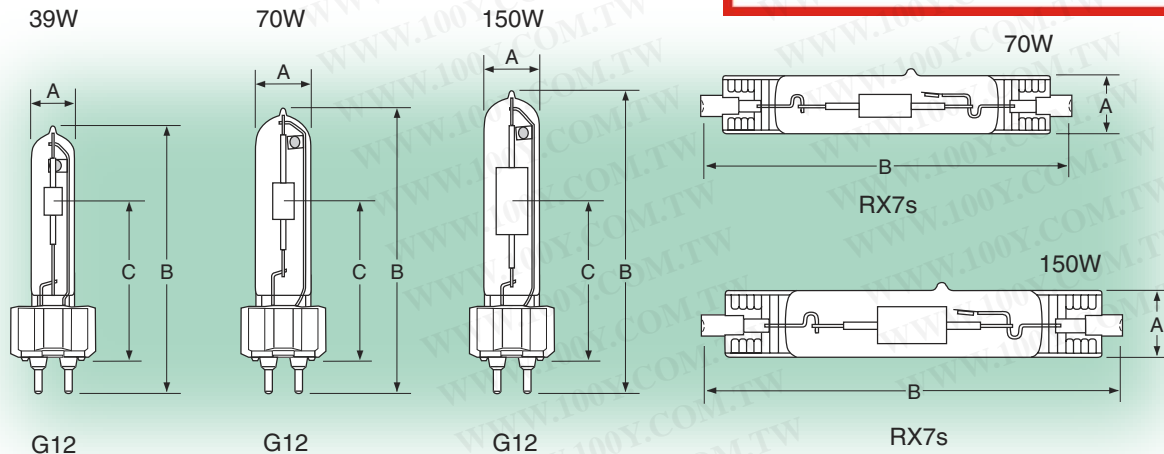
Lamp should be switched off for at least 15 minutes/week

Use only in fixtures installed with safety glass

All dimensions shown in inches unless otherwise noted.

/E = Enclosed Fixture Required

勝特力材料 886-3-5753170  
 勝特力电子(上海) 86-21-54151736  
 勝特力电子(深圳) 86-755-83298787  
[Http://www.100y.com.tw](http://www.100y.com.tw)



**(Hg)** - LAMP CONTAINS MERCURY  
 Manage in Accord with Disposal Laws  
 See: [www.lamprecycle.org](http://www.lamprecycle.org)



## UV METAL HALIDE • DOUBLE ENDED

### MHL SERIES

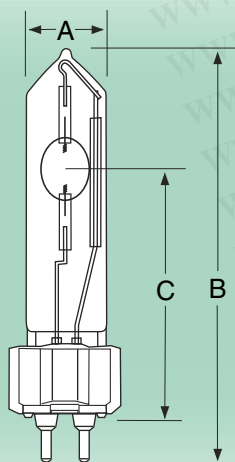
- Recessed Single Contact Base - R7s
- For Blacklight Special Effects
- Only Use in UV Protective Housing!

Please see Safety and Handling Instructions on page 85.

Watts	Ushio Ordering Code	Ushio Lamp Code	Volts	Spectral Range	Dimensions mm			Arc Length (D)	Base	Contact	Avg Life h
					Dia (A)	OAL (B)	LCL (C)				
<b>Single Ended Metal Halide</b>											
70	5001468	MHL-70	95	300-450NM	23.0	102	56	—	G12	—	500
150	5001381	MHL-150	95	300-450nm	23.0	102	56	—	G12	—	500
<b>Double Ended Metal Halide</b>											
250	5000089	MHL-250	125	300-450nm	15.5	68	—	15.5	RSC	R7s	500
450	5000114	MHL-450	140	300-450nm	16.3	105	—	31.0	RSC	R7s	500
600	5000131	MHL-600	220	300-450nm	16.3	120	—	45.0	RSC	R7s	500
1200	5000062	MHL-1000/1	135	350-370nm	23.0	147	—	68.0	RSC	R7s	500

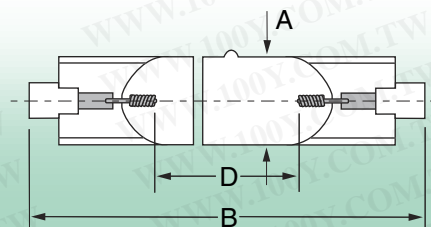
勝特力材料 886-3-5753170  
 勝特力电子(上海) 86-21-54151736  
 勝特力电子(深圳) 86-755-83298787  
[Http://www.100y.com.tw](http://www.100y.com.tw)

70W & 150W

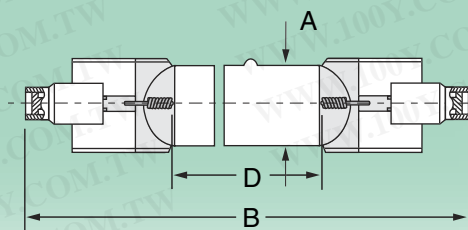


G12

250W



450W, 600W & 1200W



R7s

**(Hg)** - LAMP CONTAINS MERCURY  
 Manage in Accord with Disposal Laws  
 See: [www.lamprecycle.org](http://www.lamprecycle.org)

# METAL HALIDE LAMPS • DOUBLE ENDED

## UMI & SMH SERIES

- High Brightness
- 5600K Daylight Color Temperature

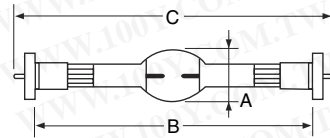
Please see Safety and Handling Instructions on page 85.



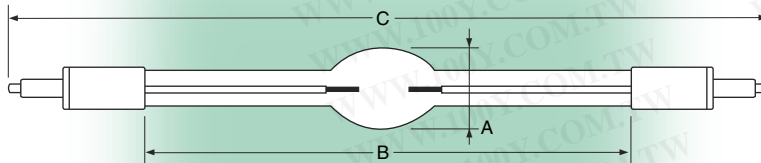
Watts	Ushio Ordering Code	Ushio Lamp Code	Volts	Amps	Arc Gap	Dimensions mm			Luminous Flux lm	Color Temp K	Avg Life h	Base Type	Burn Position
						Dia (A)	LCL (B)	OAL (C)					
<b>UMI Series – Double Ended Metal Halide</b>													
575	5000250	• UMI-575/GS	95	7.0	7	21	115	145	49000	5600	750	SFc10-4 M4	Any
1200	5000235	UMI-1200/HB	100	13.8	7	21	115	145	110000	5600	750	SFc 10-4 M4	Any
1200	5000234	• UMI-1200/GS	100	13.8	10	27	180	220	110000	5600	750	SFc 15.5-6 0.5	Any
2500	5000241	• UMI-2500/GS	115	25.6	14	30	290	355	240000	5600	500	SFa 21-12	H±15°
4000	5000245	UMI-4000	200	24.0	34	38	340	405	410000	5600	500	SFa 21-12 ••	H±15°
6000	5000251	UMI-6000	125	55.0	20	52	—	450	650000	5600	300	25.4x50.8	H±15°
<b>SMH Series – Double Ended Metal Halide</b>													
300	5000962	SMH-300/A1 (HTI300W/DX)	95	3.6	5.5	17	—	92	22000	5600	1000	SFc10-4	H±15°

- Gap Short Version
- 165mm (x2) lead wire with 8mm diameter ring terminal

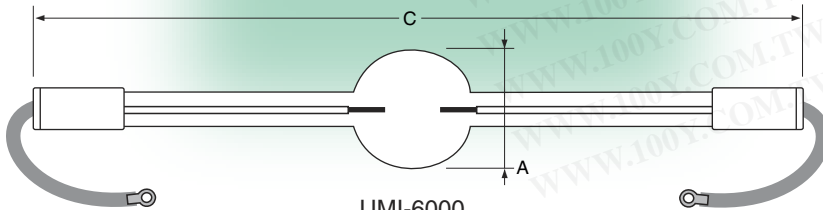
勝特力材料 886-3-5753170  
 勝特力电子(上海) 86-21-54151736  
 勝特力电子(深圳) 86-755-83298787  
[Http://www.100y.com.tw](http://www.100y.com.tw)



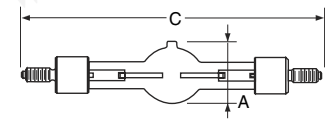
UMI-575/GS UMI-1200/GS, HB



UMI-2500/GS UMI-4000



UMI-6000



SMH-300/A1

**(Hg)** - LAMP CONTAINS MERCURY  
 Manage in Accord with Disposal Laws  
 See: [www.lamprecycle.org](http://www.lamprecycle.org)

## METAL HALIDE LAMPS • SINGLE ENDED

### USR SERIES

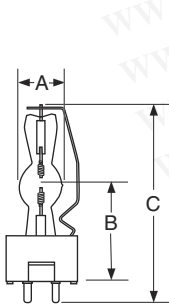
- Compact Design
- High Brightness
- Daylight Color Temperature
- Universal Burn Position

勝特力材料 886-3-5753170  
 勝特力电子(上海) 86-21-54151736  
 勝特力电子(深圳) 86-755-83298787  
[Http://www.100y.com.tw](http://www.100y.com.tw)

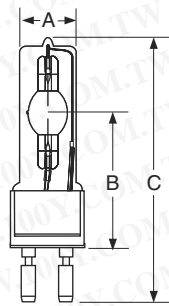
Please see Safety and  
 Handling Instructions  
 on page 85.



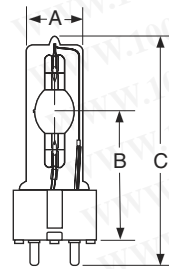
Watts	Ushio Ordering Code	Ushio Lamp Code	Volts	Arc Gap	Nominal Dimensions mm			Luminous Flux lm	Color Temp K	Avg Life h	Base Type
					Dia (A)	LCL (B)	OAL (C)				
<b>Single Ended Metal Halide</b>											
400	5002007	USR-400/SA	54	3	17	35	76.0	30000	5500	500	GY9.5
575	5000283	USR-575/BE	95	7	30	70	145	49000	5600	750	G22
575	5002008	USR-575/2	95	7	28	63	121	49000	7200	1000	GX9.5
700	5002009	USR-700/2	72	8	28	73	149	55000	7200	1000	G22/28X42
700	5002010	USR-700/SA	72	4	18	37	79.5	54000	5600	500	GY9.5
1200	5000278	USR-1200 HR	100	11	42	107	200	110000	5600	750	G38
1200	5002012	USR-1200/SA	100	7	28	59	131	96000	5600	750	GY22
1200	5002013	USR-1200/2	90	10	38.5	112	169	105000	7200	800	G22/30X53
2500	5000280	USR-2500 HR	115	14	60	127	240	240000	5600	500	G38
4000	5002014	USR-4000 HR	200	20	75	127	250	380000	6000	500	G38



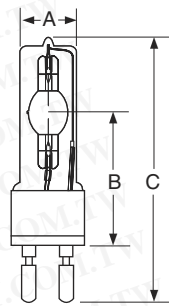
USR-400/SA  
 USR-700/SA



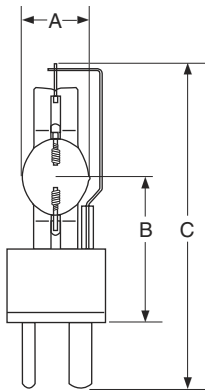
USR-575BE



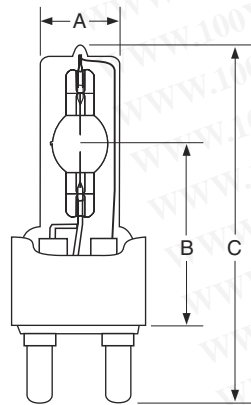
USR-575/2



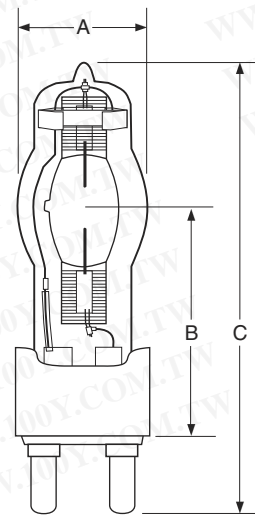
USR-700/2  
 USR-1200/2



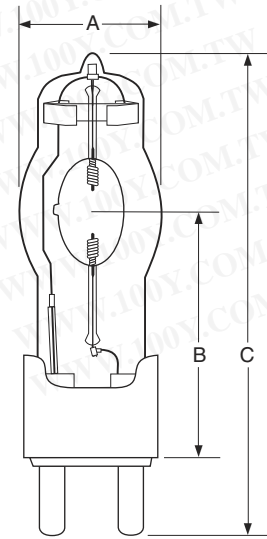
USR-1200/SA



USR-1200 HR



USR-2500 HR



USR-4000 HR

- LAMP CONTAINS MERCURY  
 Manage in Accord with Disposal Laws  
 See: [www.lamprecycle.org](http://www.lamprecycle.org)



## METAL HALIDE LAMPS • SINGLE ENDED

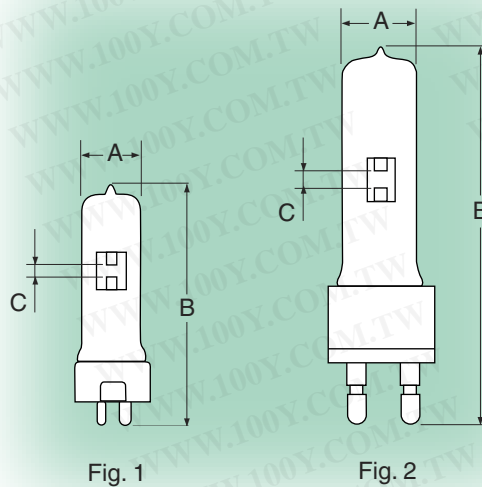
### USD SERIES

- Compact Design
- High Luminous Efficacy
- Excellent Color
- Universal Burn Position

Please see Safety and Handling Instructions on page 85.

Watts	Ushio Ordering Code	Ushio Lamp Code	Volts	Amps	Dimensions mm		Arc Gap (C)	Initial Lumens lm	Color Temp K	Avg Life h	Base Type	Fig No
					Dia (A)	OAL (B)						
<b>Single Ended Metal Halide</b>												
200	5002002	USD-200	68	2.95	23	108	5.0	13500	6000	2000	GY9.5	1
250	5002003	USD-250/2	90	3.6	23	108	5.0	17000	8500	2000	GY9.5	1
575	5002004	USD-575	95	6.1	30	125	8.0	45000	6000	3000	GX9.5	1
700	5002005	USD-700	72	11	40	175	10.0	55000	6000	3000	G22	2
1200	5002006	USD-1200	115	25.6	41	183	14.0	92000	6000	2000	G22	2

勝特力材料 886-3-5753170  
 勝特力电子(上海) 86-21-54151736  
 勝特力电子(深圳) 86-755-83298787  
[Http://www.100y.com.tw](http://www.100y.com.tw)



**(Hg)** - LAMP CONTAINS MERCURY  
 Manage in Accord with Disposal Laws  
 See: [www.lamprecycle.org](http://www.lamprecycle.org)

## METAL HALIDE LAMPS • WITH REFLECTOR

### MHR SERIES

- Cold Mirror Reflector
- Compact Design
- Standard AMP Connector

勝特力材料 886-3-5753170  
 勝特力电子(上海) 86-21-54151736  
 勝特力电子(深圳) 86-755-83298787  
[Http://www.100y.com.tw](http://www.100y.com.tw)

Please see Safety and Handling Instructions on page 85.

Watts	Ushio Ordering Code	Ushio Lamp Code	Volts	Ignition Voltage kV	Lamp Current A	Luminous Flux through Aperture			Color Temp K	CRI	Avg Life h	ANSI Ballast/ Fixture
						Ø13mm distance 42mm lm*	Ø10mm distance 44mm lm*	Ø25mm distance 33mm lm**				
AMP Connector												
100	5000789	MHR-100D/L	95	4	1.2	1600	1800	4600	5200	72	6000	M90/E
100	5000790	MHR-100D/HR	95	4	1.2	1600	1800	4600	5200	72	6000	M90/E
150	5000834	MHR-150N	95	4	1.8	2000	2200	5300	4200	75	6000	M81/E
250	5001377	MHR-250N	100	4	3.0	3500	—	—	4200	72	4000	M80/E

Optimal distance from reflector to fiber (with Ø13mm fiber bundle):

100W & 150W: 42mm  
 250W: 53mm

Length of Base Lead Wire: Approx. 75mm

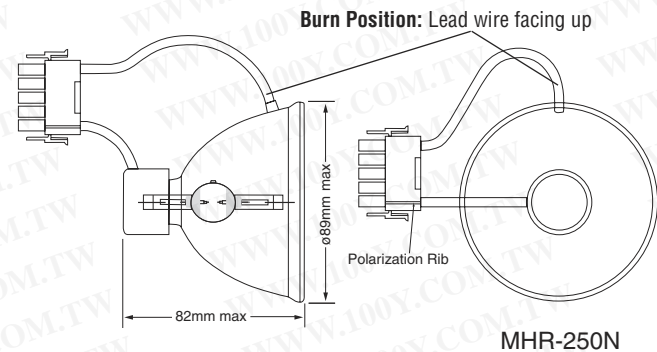
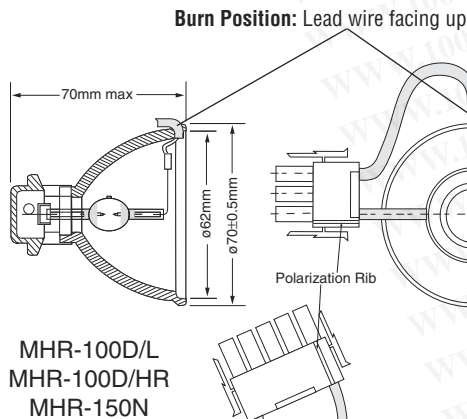
Base Type: AMP Universal Mate-N-Lok

MHR-100D/L: 3 channel plug  
 MHR-100D/HR: 5 channel plug  
 MHR-150N: 5 channel plug  
 MHR-250N: 5 channel plug



/E = Enclosed Fixture Required

- \* Measurement taken with optical sphere
- \*\* Measurement taken through fiber bundle ▲ (Ø13mm; distance 53mm)



#### Ballast & Ignitor Information

At the end of their lifetime, metal halide lamps may show rectifier effects causing a rise in current of up to 3 times of the rated value thereby possibly damaging the ballast. Therefore we recommend to use only ballasts with integrated thermoswitch. For line compensation, a capacitor should be used. It is recommended to use ignitors with a timer switch. The use of electronic ballasts is possible if the operating frequency is below 250Hz. All lamps must be used with 4kV ignitor.

#### MHR-100D/L

Warm-up Time to 95% luminous flux: 2.5 minutes with standard ballast  
 Reignition Time: Approximately 1 minute

#### MHR-100D/HR

Warm-up Time to 95% luminous flux: 2.5 minutes with standard ballast  
 Hot re-strike version

#### MHR-150N

Warm-up Time: 3 minutes  
 Reignition Time: Approximately 2 minutes

#### MHR-250N

Warm-up Time: 10 minutes

#### Warning!

The lamp emits UV radiation which can cause serious eye and skin damage. Therefore, the lamp must be used only in closed lamp houses.

**Hg** - LAMP CONTAINS MERCURY  
 Manage in Accord with Disposal Laws  
 See: [www.lamprecycle.org](http://www.lamprecycle.org)