

勝特力材料 886-3-5753170
 勝特力电子(上海) 86-21-54151736
 勝特力电子(深圳) 86-755-83298787
 Http://www.100y.com.tw

UTCMP5A94 PNP EPITAXIAL SILICON TRANSISTOR

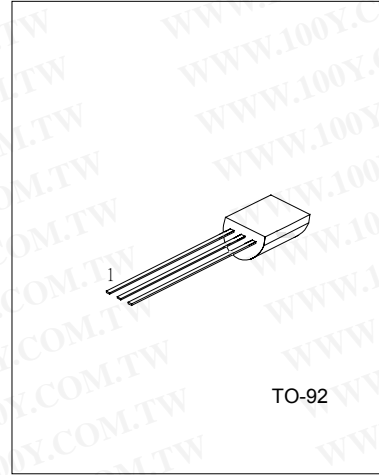
HIGH VOLTAGE TRANSISTOR

FEATURES

- *Collector-Emitter voltage:
V_{CEO}=400V
- *Collector Dissipation:
P_c(max)=625mW
- *Low collector-Emitter saturation voltage

APPLICATIONS

- *Telephone switching
- *High voltage switch



1:EMITTER 2:BASE 3:COLLECTOR

ABSOLUTE MAXIMUM RATINGS (Operating temperature range applies unless otherwise specified)

PARAMETER	SYMBOL	RATING	UNIT
Collector-base voltage	V _{CB0}	-400	V
Collector-emitter voltage	V _{CEO}	-400	V
Emitter-base voltage	V _{EB0}	-6	V
Collector dissipation(T _a =25°C)	P _c	625	mW
Collector current	I _c	-300	mA
Junction Temperature	T _j	150	°C
Storage Temperature	T _{STG}	-55 ~ +150	°C

ELECTRICAL CHARACTERISTICS(T_j=25°C,unless otherwise specified)

PARAMETER	SYMBOL	TEST CONDITIONS	MIN	TYP	MAX	UNIT
Collector-base breakdown voltage	BV _{CB0}	I _c =-100μA,I _E =0	-400			V
Collector-emitter breakdown voltage	BV _{CEO}	I _c =-1mA,I _B =0	-400			V
Collector-emitter breakdown voltage	BV _{CES}	I _c =-100μA,V _{BE} =0	-400			V
Emitter-base breakdown voltage	BV _{EB0}	I _E =-100μA,I _c =0	-5			V
Collector cut-off current	I _{CBO}	V _{CB} =-300V,I _E =0			-100	nA
Collector cut-off current	I _{CES}	V _{CB} =-400V,V _{BE} =0			-1	μA
Emitter cut-off current	I _{EB0}	V _{EB} =-4V,I _c =0			100	nA
DC current gain(note)	h _{FE}	V _{CE} =-10V,I _c =-1mA V _{CE} =-10V,I _c =-10mA V _{CE} =-10V,I _c =-50mA V _{CE} =-10V,I _c =-100mA	60 70 70 40		300	
Collector-emitter saturation voltage	V _{CE(sat)}	I _c =-10mA,I _B =-1mA I _c =-50mA,I _B =-5mA			-0.20 -0.5	V
Base-emitter saturation voltage	V _{BE(sat)}	I _c =-10mA,I _B =-1mA			-0.75	V
Output capacitance	C _{ob}	V _{CB} =-20V,I _E =0, f=1MHz			7	pF

Note:Pulse test:PW<300μs,Duty Cycle<2%

UTC UNISONIC TECHNOLOGIES CO. LTD

UTCMP5A94 PNP EPITAXIAL SILICON TRANSISTOR

TYPICAL PARAMETERS PERFORMANCE

Fig.1 Dc current gain

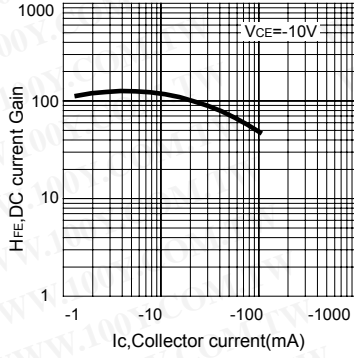


Fig.2 Base-emitter saturation voltage

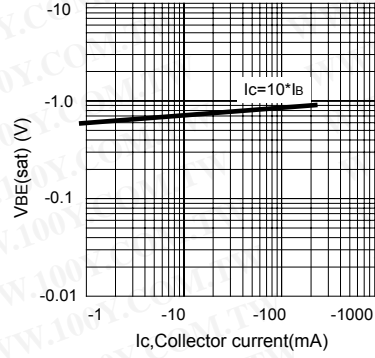


Fig.3 Collector-emitter saturation voltage

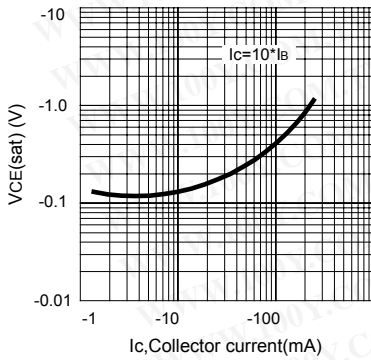


Fig.4 Collector Output capacitance

