

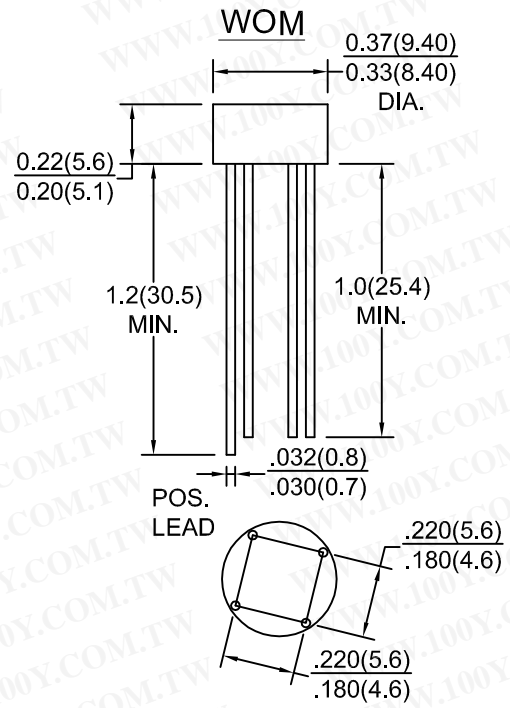
W005M THRU W10M

SINGLE PHASE SILICON BRIDGE RECTIFIERS

FEATURES:

- Ideal for printed circuit board
- Low forward voltage drop
- Low leakage current

勝特力材料 886-3-5753170
勝特力电子(上海) 86-21-54151736
勝特力电子(深圳) 86-755-83298787
[Http://www.100y.com.tw](http://www.100y.com.tw)



MECHANICAL DATA

Case : Molded plastic body
 Terminals :plated leads, solderable per MIL-STD-202,
 Method 208 guaranteed
 Polarity : Color band on body denotes cathode end
 Mounting Position : Any
 Weight : 1.07 grams

Dimensions in inches and (millimeters)

MAXIMUM RATINGS AND ELECTRICAL CHARACTERISTICS

Rating at 25°C ambient temp. unless otherwise specified.
 Single phase, half sine wave, 60 Hz, resistive or inductive load.
 For capacitive load, derate current by 20 %.

Characteristic	Symbol	W005 M	W01M	W02M	W04M	W06M	W08M	W10M	Units
Maximum recurrent peak reverse voltage	V_{RRM}	50	100	200	400	600	800	1000	Volts
Maximum RMS voltage	V_{RMS}	35	70	140	280	420	560	700	Volts
Maximum DC blocking voltage	V_{DC}	50	100	200	400	600	800	1000	Volts
Maximum average forward rectified current .375"(9.5mm) lead length at Ta=50°C	I_O	1.5							Amps
Peak forward surge current ,8.3ms single half sine-wave superimposed on rated load(JEDEC Method)	I_{FSM}	50							Amps
Maximum instantaneous forward voltage drop per bridge element at 1.0 A	V_F	1.0							Volts
Maximum DC reverse current at rated DC blocking voltage	I_R	10 500							μA
Operating temperature range	T_j	-65 to +125							°C
Storage temperature range	T_{stg}	-65 to +150							°C

RATINGS AND CHARACTERISTIC CURVES W005M THRU W10M

FIG.1-TYPICAL FORWARD CURRENT DERATING CURVE

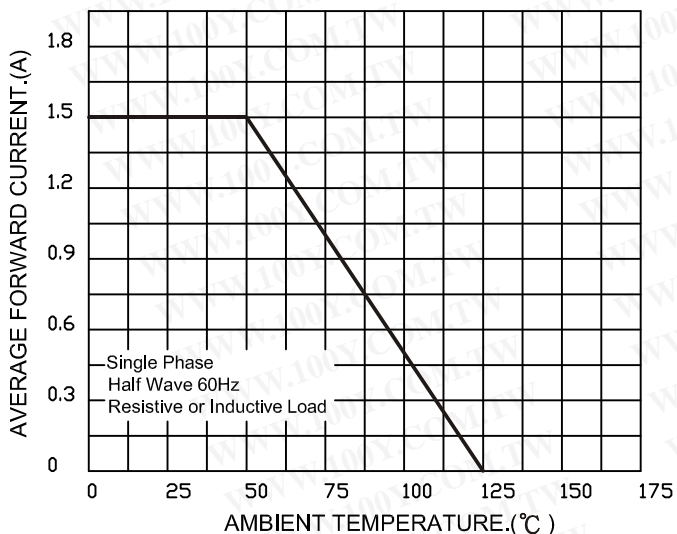


FIG.2-MAXIMUM NON-REPETITIVE FORWARD SURGE CURRENT

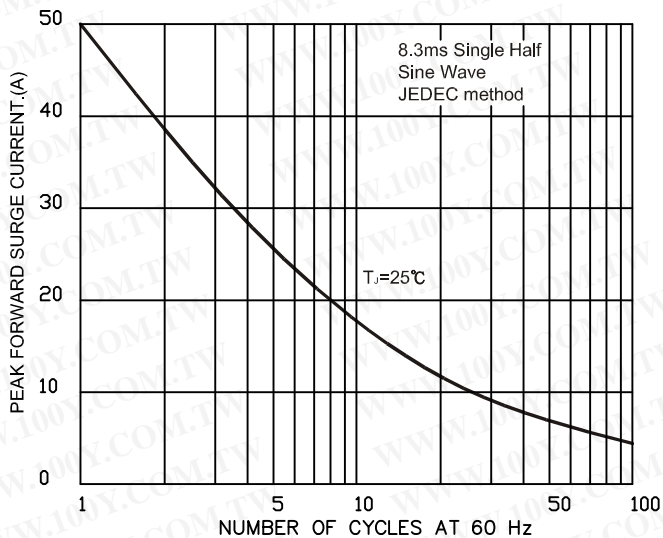


FIG.3-TYPICAL FORWARD CHARACTERISTICS

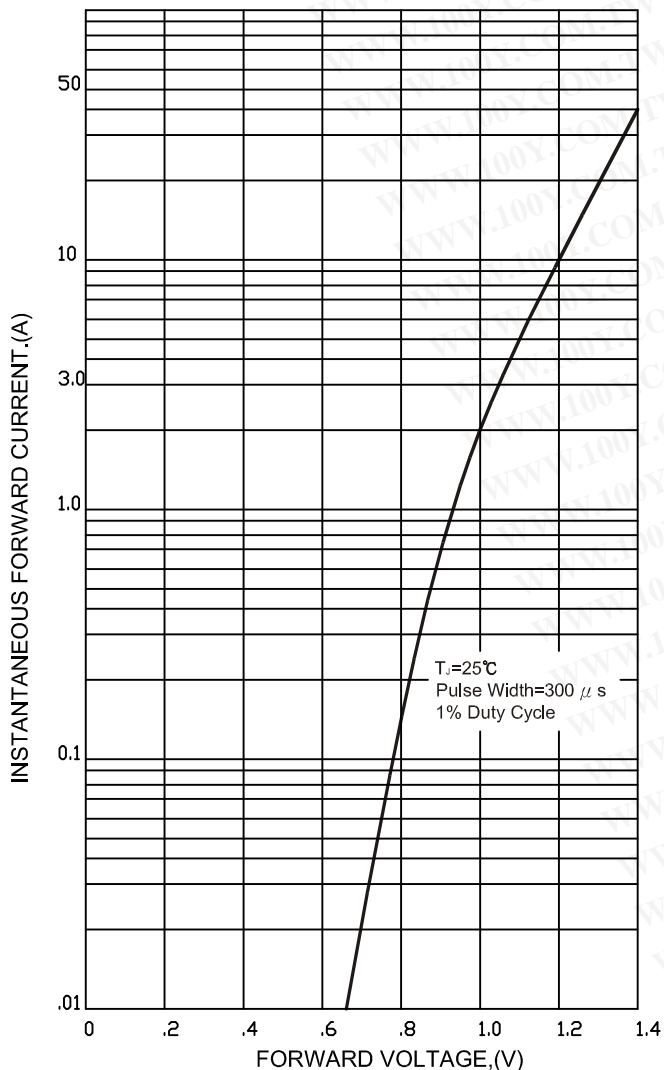


FIG.4-TYPICAL REVERSE CHARACTERISTICS

