



□176x176x89 mm (□7.09x7.09x3.5 in)



Frame: Die cast aluminum

Impeller: Glass reinforced thermoplastic, UL 94V-0

Ambient Temperature Range: -20°C ~ +75°C

Operating Voltage Range: Rated Voltage ±10%

Bearing: Ball

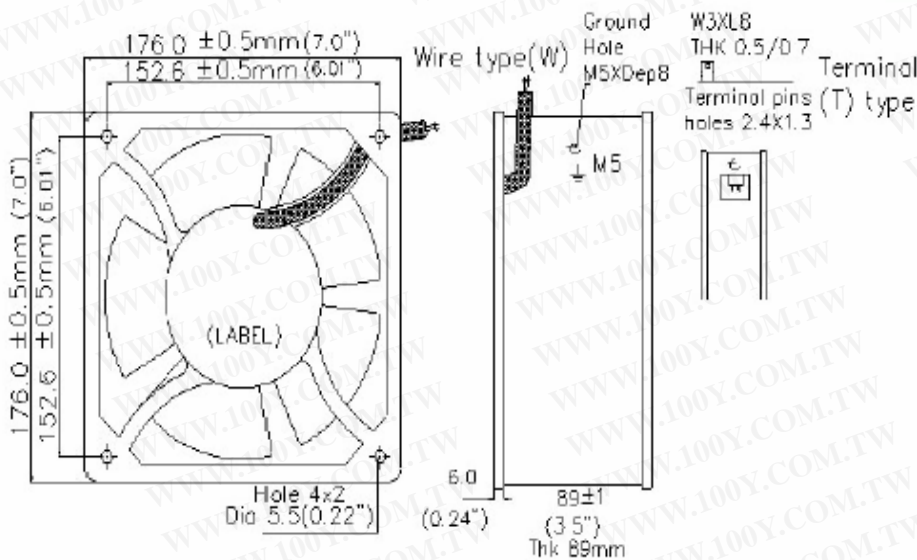
Motor Structure: Single phase induction capacitor motor

Motor protection: Thermal Protected

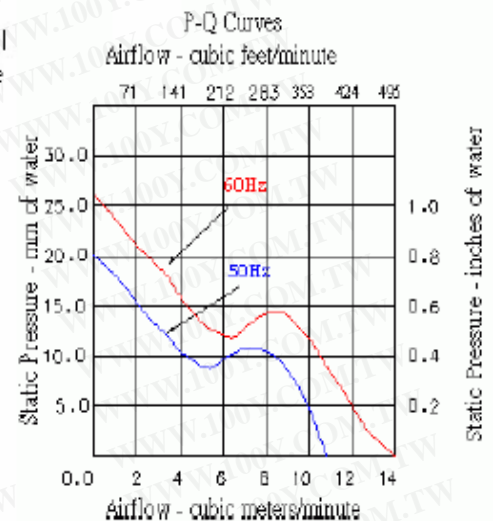
Termination: Terminals or Lead wire

Package: 2000g / PC

Dimension (units:mm)



Characteristic Curves



SPECIFICATION

勝特力材料 886-3-5753170
勝特力电子(上海) 86-21-34970699
勝特力电子(深圳) 86-755-83298787
[Http://www.100y.com.tw](http://www.100y.com.tw)

Model	Voltage (V)	Freq. (Hz)	Current (A)	Power (W)	Speed (RPM)	Air Flow (CFM)	Pressure (in-H ₂ O)	Noise (dB)
CY11789HBL(T)	115	50/60	0.57/0.48	51/52	2800/3250	370/420	0.67/0.88	61/64
CY21789HBL(T)	220	50/60	0.21/0.23	43/52	2800/3250	370/420	0.67/0.88	61/64