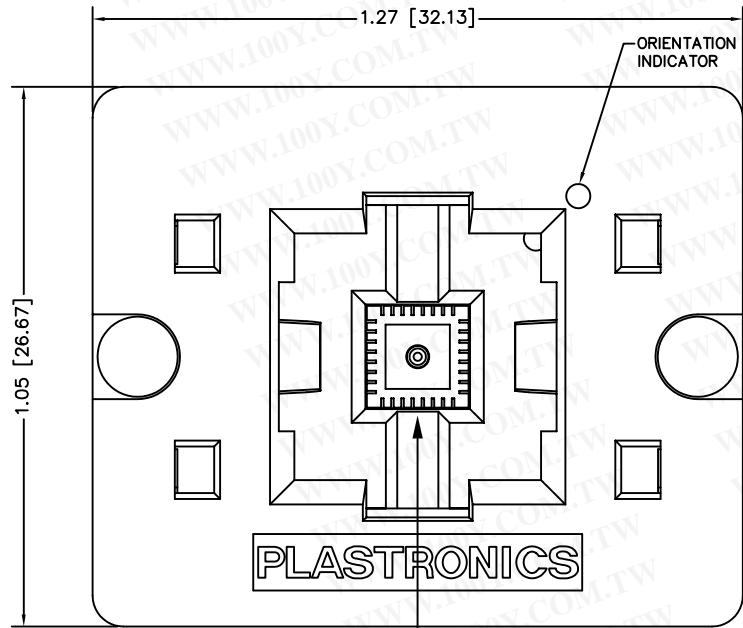
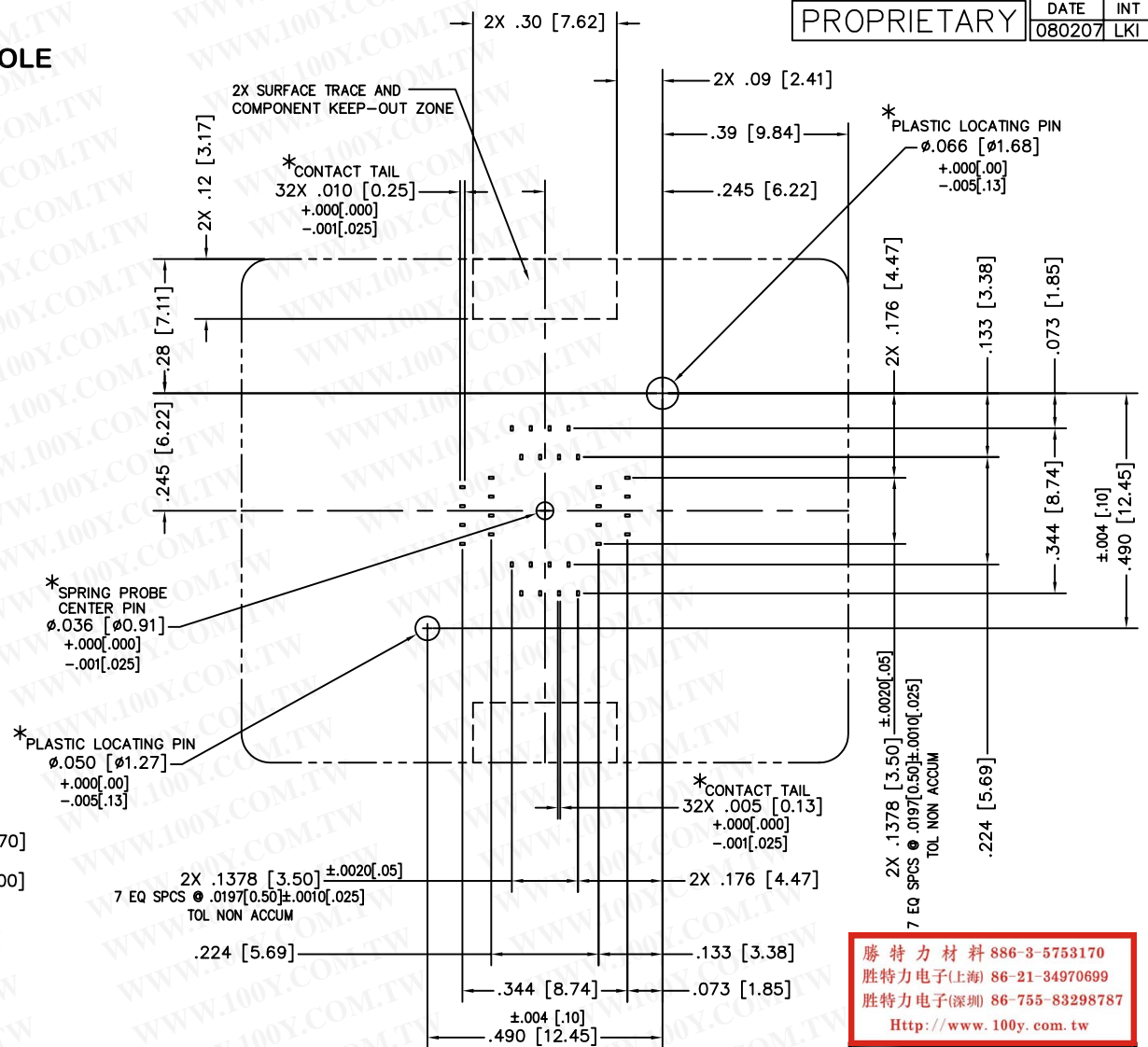
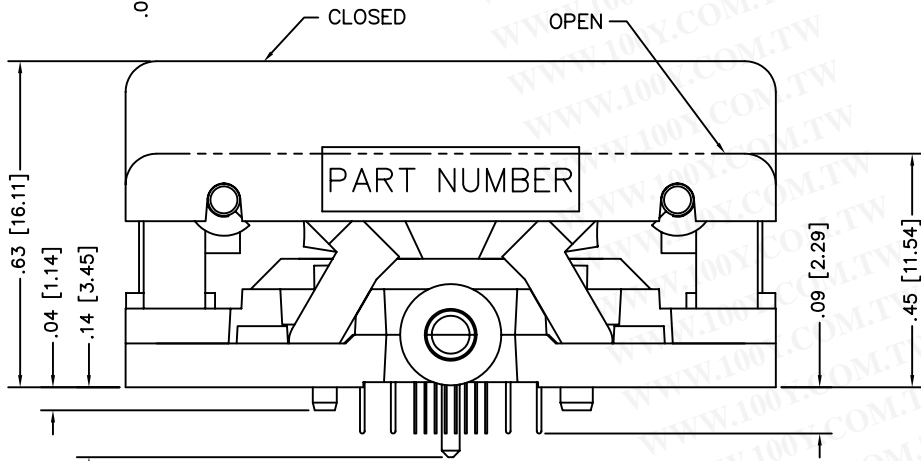
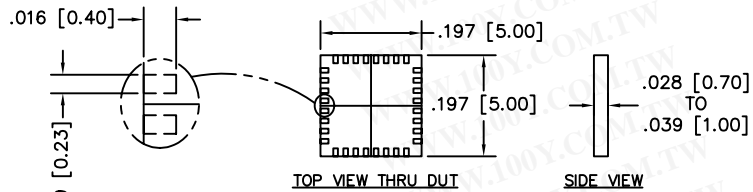


**NOTE : \* DIMENSION OF SOCKET FEATURES SHOWN.  
BOARD DESIGNER SHOULD SELECT APPROPRIATE HOLE  
SIZES TO PROVIDE A SLIP FIT FOR THESE FEATURES.**



NEST SIZE AND CONTACT POSITIONS SHOWN;  
NON-FUNCTIONAL SURFACES FOR REPRESENTATION ONLY



FOOTPRINT AS VIEWED FROM TOP OF SOCKET

THIS DRAWING IS SUBJECT TO CHANGE WITHOUT NOTICE. PLEASE REQUEST A CURRENT DRAWING WHEN LAYING OUT BOARDS.

勝特力材料 886-3-5753170  
胜特力电子(上海) 86-21-34970699  
胜特力电子(深圳) 86-755-83298787  
[Http://www.100y.com.tw](http://www.100y.com.tw)

FEATURES-S  
= OFFSET CONTACT  
= SPRING PROBE CENTER PIN

SOCKET PART NUMBER  
32LQ50S15050

UNLESS OTHERWISE SPECIFIED .XXX = ±.003 SURFACE FINISH .XX = ±.010 .X = ±.020 ANGLE = ±1 ALL DIM ARE IN INCHES ALL DIM (XX) ARE MILLIMETERS REMOVE ALL BURRS AND SHARP EDGES DIM LIMITS APPLY BEFORE PROCESSES HOLE TOLERANCES .0138 THRU .125 = +.004 -.001 .128 THRU .250 = +.005 -.001 .251 THRU .500 = +.006 -.001 .501 THRU .750 = +.008 -.001 .751 THRU 1.00 = +.010 -.001 1.001 THRU 2.00 = +.012 -.001	MATERIAL -	PROCESSES -	SIZE C	COD NO. DWG NO. 32LQ50S15050	REV -	SH -
	TITLE OPENTOP DUAL LATCH QFN SOCKET; 5 X 5mm, 0.50mm-PITCH; 32 CONTACTS PLUS SPRING PROBE CENTER PIN; THRU-HOLE	SCALE NONE DWN LKI CHK ENGR APPVD	DATE 080207	PLASTRONICS 2601 TEXAS DRIVE IRVING, TX. 75062		