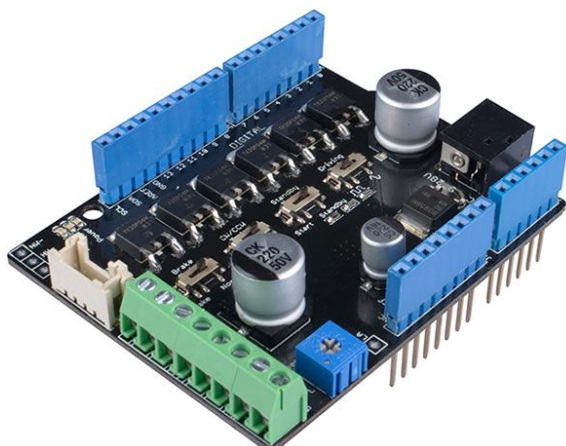


# Brushless Motor Shield (TB6605FTG)無刷電機驅動板

## TB6605FTG电机驱动板

Brushless Motor Shield



勝特力材料 886-3-5773766  
勝特力电子(上海) 86-21-34970699  
勝特力电子(深圳) 86-755-83298787  
[Http://www.100y.com.tw](http://www.100y.com.tw)

## 产品参数

Product parameters

### 产品特性

电压输入范围： 9V-24V

I2C接口

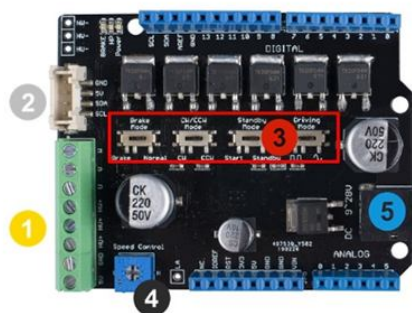
硬件可控制调速（车载电位计）

提供多种模式：顺时针/逆时针，制动/正常，正弦波/方波

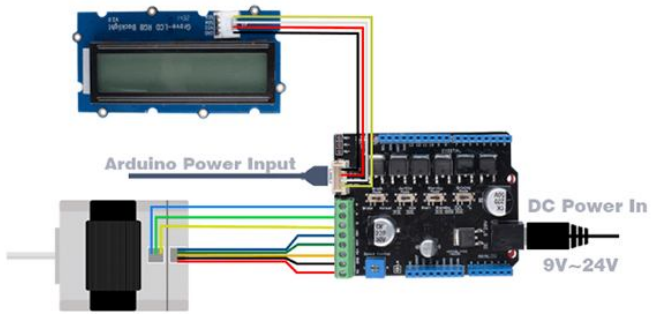
### 硬件概述

### 规格参数

Parameter	Value
Supply voltage	3.3V / 5V
DC Power Input	9V ~ 24V
Max Output Current	0.02A
Driving mode	Sine wave/Square wave
Motor Interface	Screw terminal
External Grove Interface	I2C



- BLDC Motor Interface**
- Grove I2C Interface:**  
Connect with other grove module
- Function switch:**  
Brake/Normal; CW/CCW; Start/Standby; Sine wave/Square wave
- Potentiometer:**  
Speed control
- DC Power Input:**  
9V-24V  $\Phi 5.5\text{mm} \times 2.5\text{mm}$



Screw terminal definition

## Screw terminal definition

Brushless Motor Shield	Brushless Motor	wire color
5V	Logic power supply positive	Red
GND	Logic power ground	Black
HU+	Hall sensor Phase U	Orange
HV+	Hall sensor Phase V	Dark Green
HW+	Hall sensor Phase W	Dark Blue
U	Coil Phase U	Yellow
V	Coil Phase V	Light Green
W	Coil Phase W	Light Blue

产品实拍

Product Photograph

