

Model

Dimension (Diameter x Depth mm)

Impedance ($\Omega \pm 15\%$)

Normal Power (Mini-Watts)

Maximum Power (Mini-Watts)

Lowest Resonant Frequency (Hz $\pm 20\%$)

SPL ($\pm 3\text{db}$ / Normal Power Input / 0.5 M)

Frequency Range (SPL-10db Hz.)

Net Weight (Grams)

Frame Material

Magnet Material

Diaphragm Material

40CP08

40 Φ x 8.4

8

250

500

530

81

350 ~ 4700

10.4

Metal

Rare Earth

Paper

勝特力材料 86-3-5753170

勝特力电子(上海) 86-21-54151736

勝特力电子(深圳) 86-755-83298787

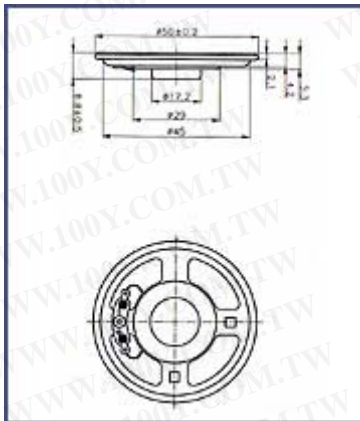
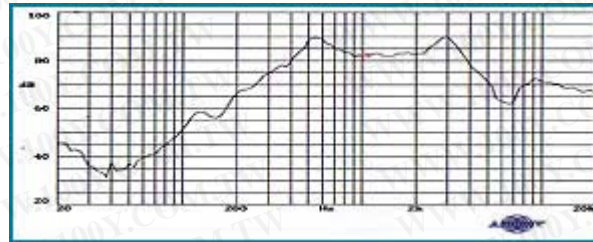
Http://www.100y.com.tw

勝特力材料 886-3-5753170

勝特力电子(上海) 86-21-54151736

勝特力电子(深圳) 86-755-83298787

[Http://www.100y.com.tw](http://www.100y.com.tw)



Model

Dimension (Diameter x Depth mm)

Impedance ($\Omega \pm 15\%$)

Normal Power (Mini-Watts)

Maximum Power (Mini-Watts)

Lowest Resonant Frequency (Hz $\pm 20\%$)

SPL ($\pm 3\text{db}$ / Normal Power Input / 0.5 M)

Frequency Range (SPL-10db Hz.)

Net Weight (Grams)

Frame Material

Magnet Material

Diaphragm Material

50CP08

50 Φ x8.8

8

250

500

500

83

280 ~4500

12.8

Metal

Rare Earth

Paper